



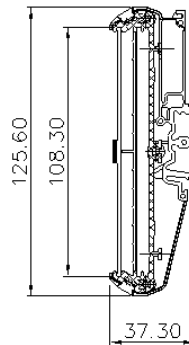
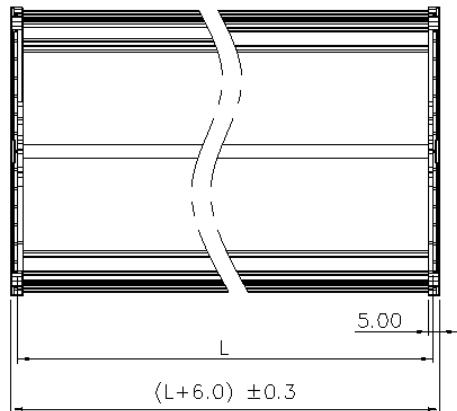
DEGSON ELECTRONICS CO., LTD.

Product Specification



DM108

APPROVAL	
Mechanical	
Ambient temperature	-40°C~+105 °C
Material	
Housing	PA66,UL94V-0



HOW TO ORDER :

 - **P** - 1 - X X X
Customer Request

Series number **No. of pole** **Color**

1	Single pitch
2	Double pitch

1	Grey	4	Green	7	Trans Parent
2	Blue	5	Orange	8	Yellow
3	Black	6	Red	9	White

 mm (INCH)	 DEGSON ELECTRONICS CO., LTD.
 THIROANGLE PROJECTION	NAME DM108