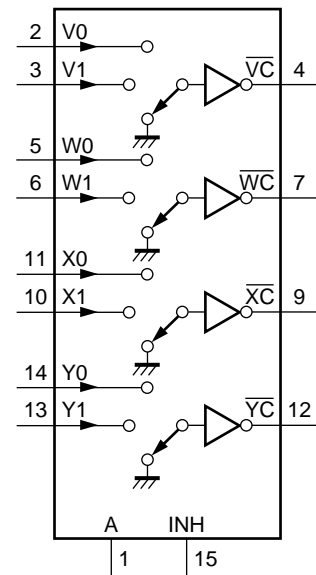
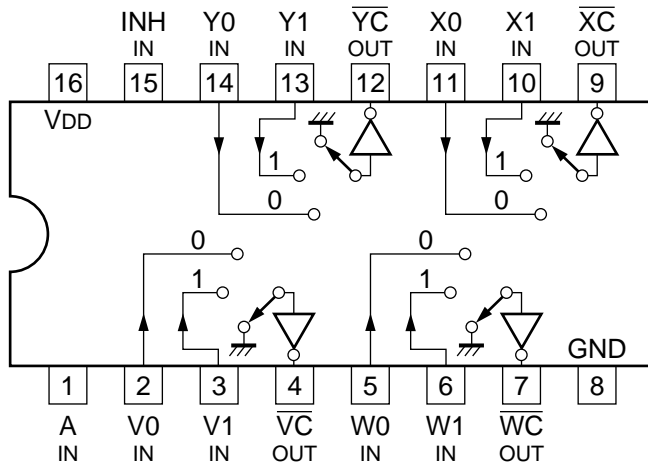

C-MOS 2-LINE-TO-1-LINE INVERTED DATA SELECTOR/MULTIPLEXER
-TOP VIEW-



CONT. IN		ON CHANNEL
INH	A	
0	0	0
0	1	1
1	X	GND

0 ; LOW LEVEL
1 ; HIGH LEVEL
X ; DON'T CARE

NOTE :

TYPE	VDD
74AC/HC	+2 to +6V
74ACT/HCT	+5V