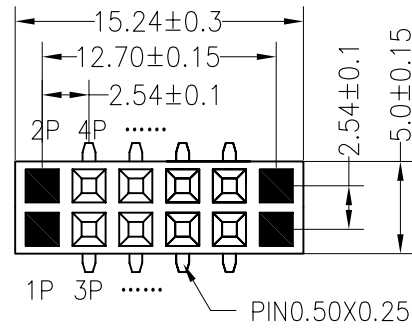


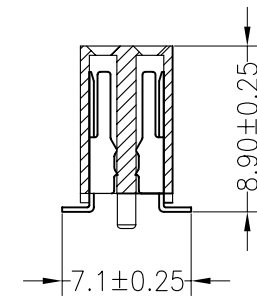
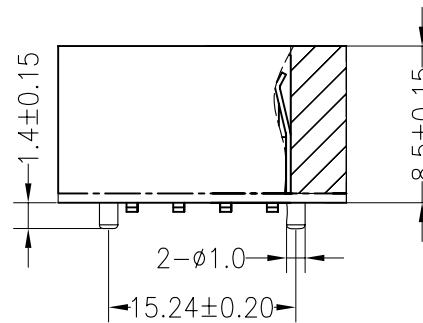
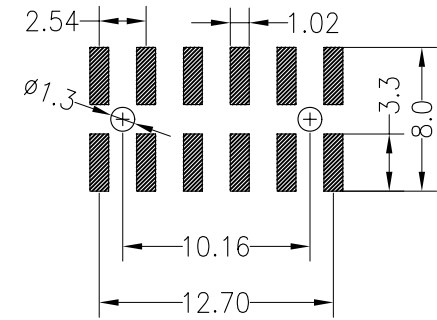
SPECIFICATIONS

Rated Current:3.0AMP
 Contact Resistance:20mΩ Max
 Withstand Voltage:1000V AC/DC
 Insulation Resistance:1000MΩ Min
 Operation Temperature:-40°c to +105°c

Contact Material:Brass
 Contact Plating:Au or Sn Over Ni
 Insulator Material:Polyester(UL94V-0)
 Standard: PA6T
 Max.Processing Temp: 230°C for 30-60 seconds
 (260°C for 10 seconds)



Recommended P.C.B Layout(Top Side)
 (PCB BOARD TOLERANCE±0.05)



				OPERATION		DRAW	LIUJIANJUN	16.04.26	SCALE	FIT	KLS ELECTRONIC CO., LTD		
				X.X	±0.30				UNIT	mm			
				X.XX	±0.20	CHECK		SIZE	A4	PART NO.			L-KLS1-SU208-2-12-T3C-R
				X.XXX	±0.10				SHEET	1/1			TITLE:
REV	DATE	MODIFICATION DESCRIPTION	CHANGE	Angle	±3°	APPROVE			PROJ.	◆			
				DIM	TOL								