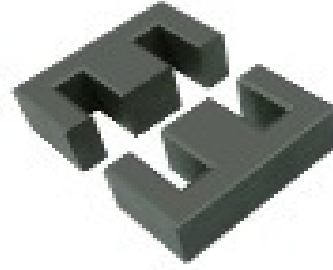


Appearance & Shape: To be free from any defect such as flow, burrs, unevenness etc, As per IEC standards.

Effective Parameters irrespective of material grade (per set)

- Effective Length (L_e): 147.0mm
- Effective Area (A_e): 532.0mm²
- Effective Area (A_{Min}): 529.0mm²
- Effective Volume (V_e): 78200mm³

Approximate weight (without Gap): 385g/Set



EE6527 Gapped

Test Conditions: 1kHz/1mT/CFR COIL,N=100/25°C

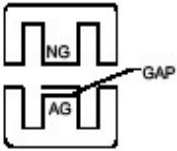
Material Grade	Gap Value in mm/Pc	S, T **)		D **)		Ordering Code
		AL approx. (nH)	u_e approx. (mm)/Set	AL approx. (nH)	u_e approx. (mm)/Set	
CF139	1.5 ± 0.06	≈526	≈115	≈310	≈68	CF139 EE6527G1.5D

**) S, T -> AL value in the table applies to a core set comprising one ungapped core ($g=0$) and one gapped core ($g>0$)

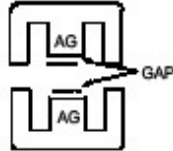
D -> AL value in the table applies to a core set comprising one gapped core ($g>0$) and one gapped core ($g>0$)

Delivery Procedure

D: Cosmo will supply 100% gapped Core.



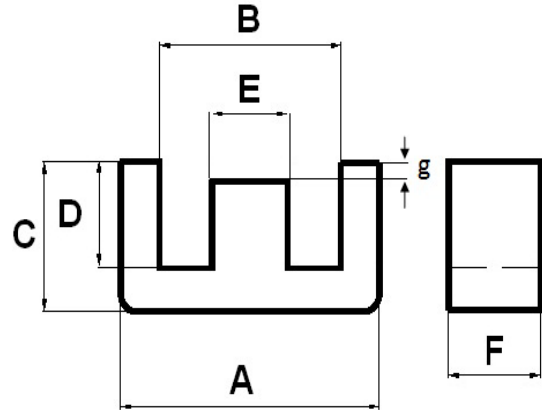
Single Sided Gap (S, T)



Double Sided Gap (D)

Dimensions :

Dimension	Nominal (in mm)	Maximum (in mm)	Minimum (in mm)
A	66.5	66.5	63.8
B	44.2	46.0	44.2
C	32.5	32.8	32.2
D	22.2	22.9	22.2
E	20.0	20.0	19.3
F	27.4	27.4	26.6



For Cosmo Ferrites Limited-INDIA

Checked By: A.K.
 Approved By: B.S.
 Authorized By: KSR
 Date: 06-02-2017 (ISSUE No.1)

Customer's Approval

Authorized Signatory:
 Name:
 Date:

NOTE: Please send this Data Sheet back to Cosmo Ferrites Ltd. after approval. If not received back within 15 days, it will be presumed that all the specifications given in the consent/data sheet are acceptable to the concerned.