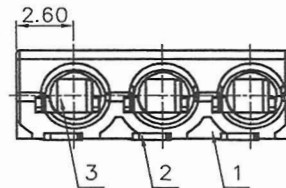
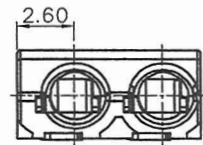
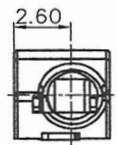
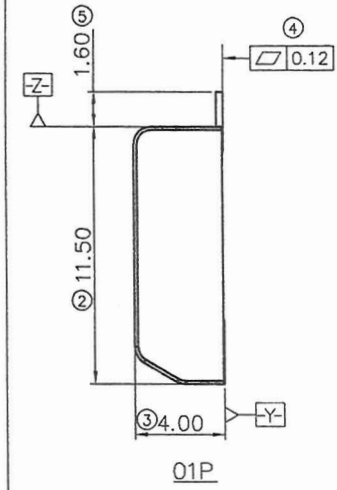
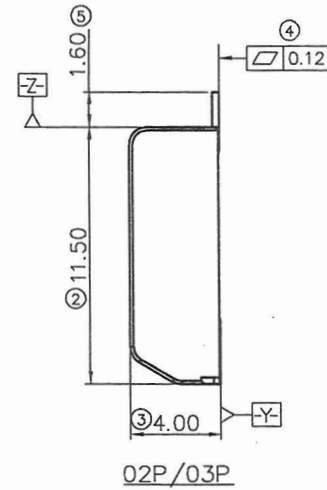
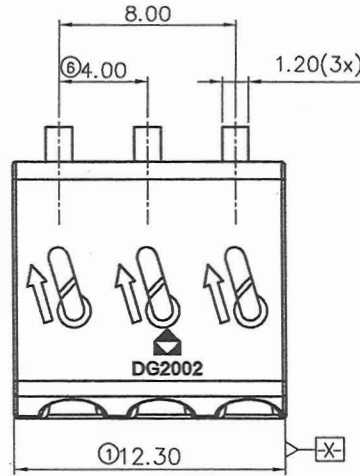
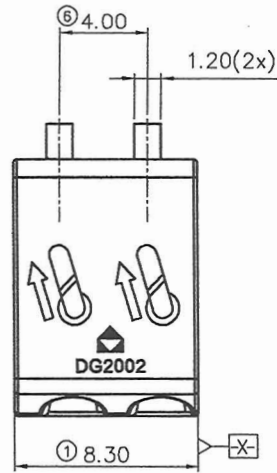
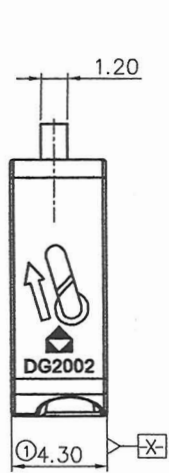


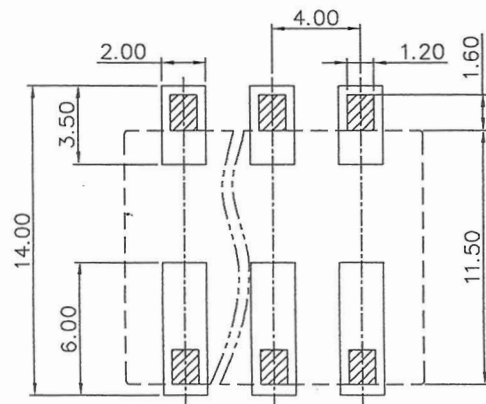
REVISION RECORD				
REV	ECN	DESCRIPTION	DRFT	DATE



01P

02P

03P



PCB LAYOUT

备注一:

UL 标准

1. 额定电压与电流: 600V/9A(01P)、300V/9A(02P/03P)
2. 线径范围: 24~18AWG

IEC 标准

1.

污染等级	3	2	2
过压类别	III	III	II
额定脉冲电压(KV)	4.0KV	4.0KV	4.0KV
额定电压(V)	32V	160V	160V
额定电流(A)	9A		

2. 线径范围: 0.2~0.75mm²

备注二:

1. 尺寸标注符合标准 ASME Y14.5-2009
2. P距: 4.00mm, P数范围: N=01~03P
3. 剥线长度: 9mm
4. 使用温度范围: -40°C~+130°C
5. "⊗"为重点管控尺寸
6. 包装规范共用00A
7. 未注公差表:

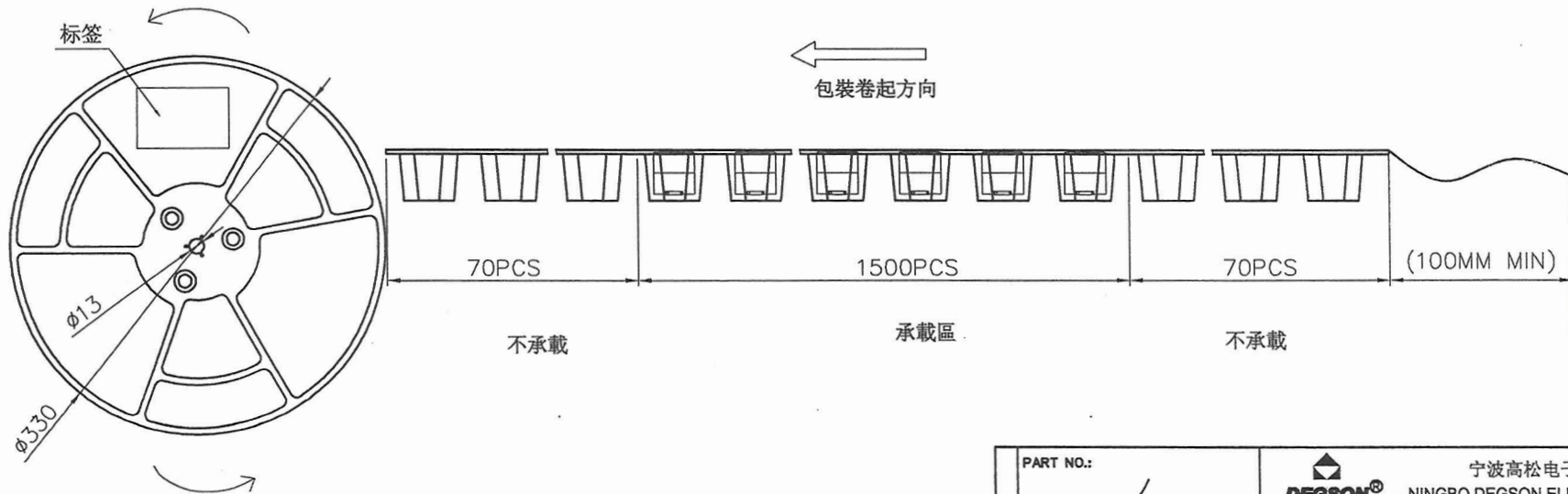
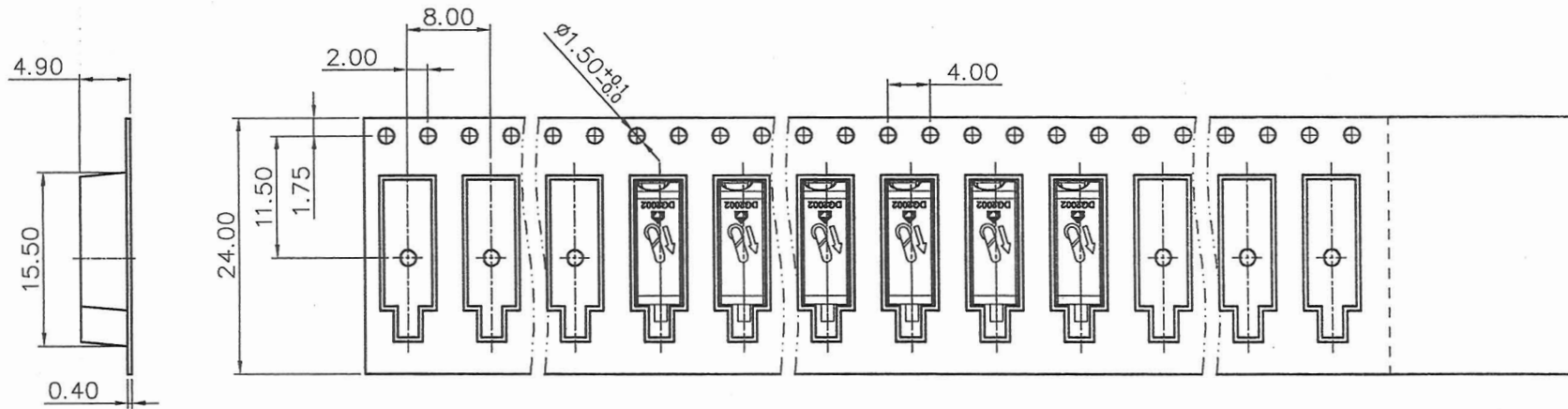
P距方向公差(mm)		其他尺寸公差(mm)				±0.05/10
≤6	6 ~ 10	10 ~ 24	≤30	30 ~ 60	60 ~ 100	100 ~ 150
±0.10		±0.15	±0.25	±0.20	±0.30	±0.50
				±0.70	±1.00	±1'

8. 须符合RoHS环保要求

2016.10.26
 审核 专用
 (仅限内部使用,对外无效)

3	DG2002-4.0-弹片	X000005900(H)	N	不锈钢	
2	DG2002-4.0-100A 焊脚	3095B00020(H)	N	磷青铜	镀锡
1	DG2002-4.0-100A 塑件	3095AYYXD(H)	1	LCP	UL94V-0
ITEM	NAME OF PART	NO. OF PART	Q'TY	MATERIAL	NOTES
PART NO.: /		宁波高松电子有限公司 NINGBO DEGSON ELECTRICAL CO., LTD			
APPD: Frank 10/21-16"		NAME: DG2002-4.0-XXP-1Y-100A(H)			
CHKD: DG 10/21-16"		TITLE: ASSEMBLY DRAWING			
DRFT: WL 05/14/16"		DRAWING NO.: DG2002-4.0-E06		REV	TO
THIRD ANGLE PROJECTION		DO NOT SCALE DRAWING		SHEET	1/4
MM (INCH)		SCALE		1:1	

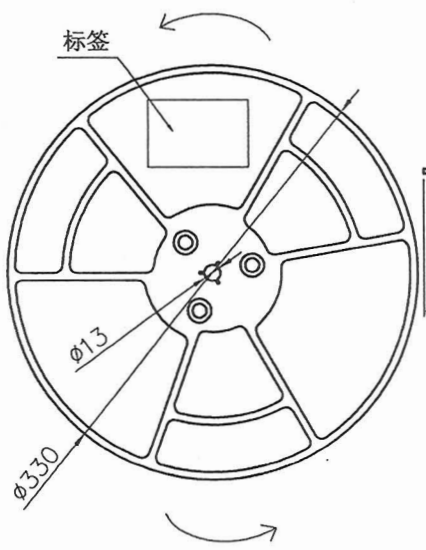
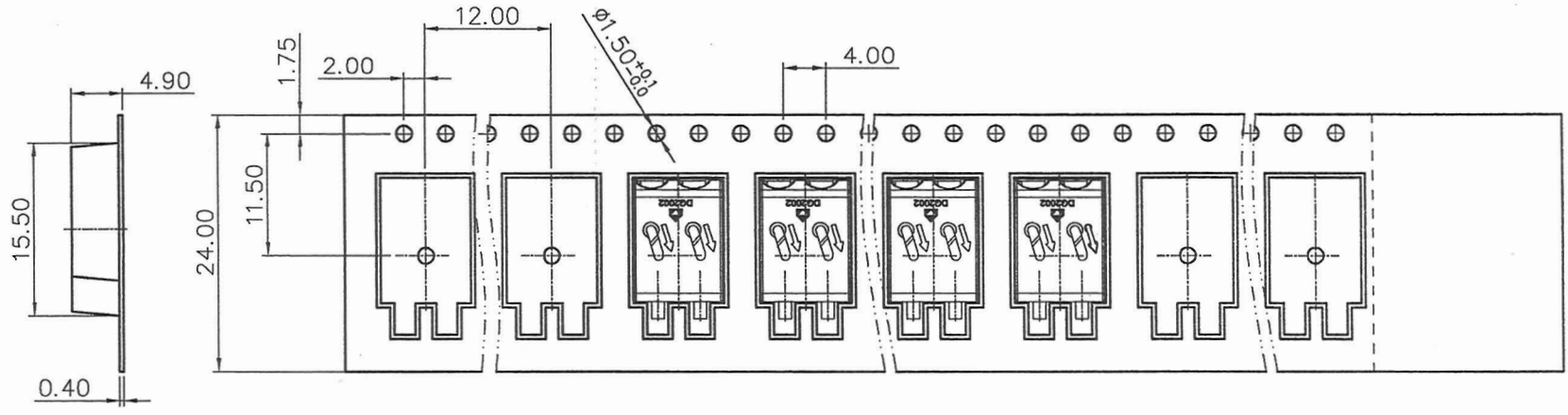
REVISION RECORD				
REV	ECN	DESCRIPTION	DRFT	DATE



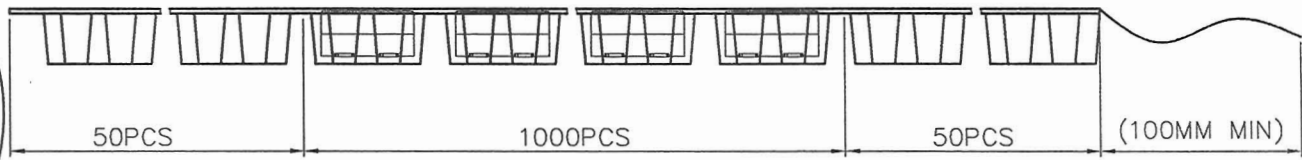
齐复专审
2016.10.26
(仅限内部使用,对外无效)

DETACHED LISTS	PART NO.: /	宁波高松电子有限公司 NINGBO DEGSON ELECTRICAL CO., LTD		
	APPD: Frank 10/21-16"	NAME: DG2002-4.0-XXP-1Y-100A(H)		
	CHKD: DL 10/21-16"	TITLE: ASSEMBLY DRAWING		
	DRFT: WL 05/14/16"	REV: TO	SHEET: 2/4	
THIRD ANGLE PROJECTION		DRAWING NO.: DG2002-4.0-E06	SCALE: 1:1	DO NOT SCALE DRAWING

REVISION RECORD				
REV	ECN	DESCRIPTION	DRFT	DATE



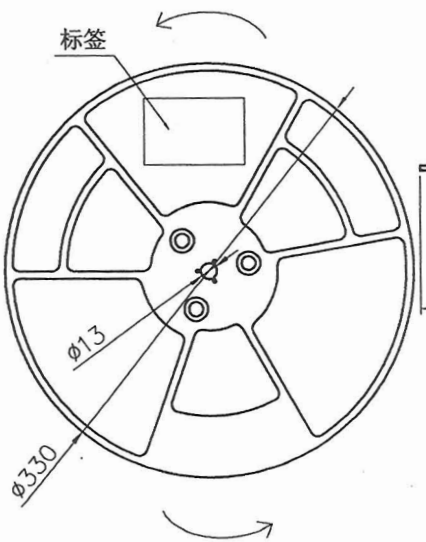
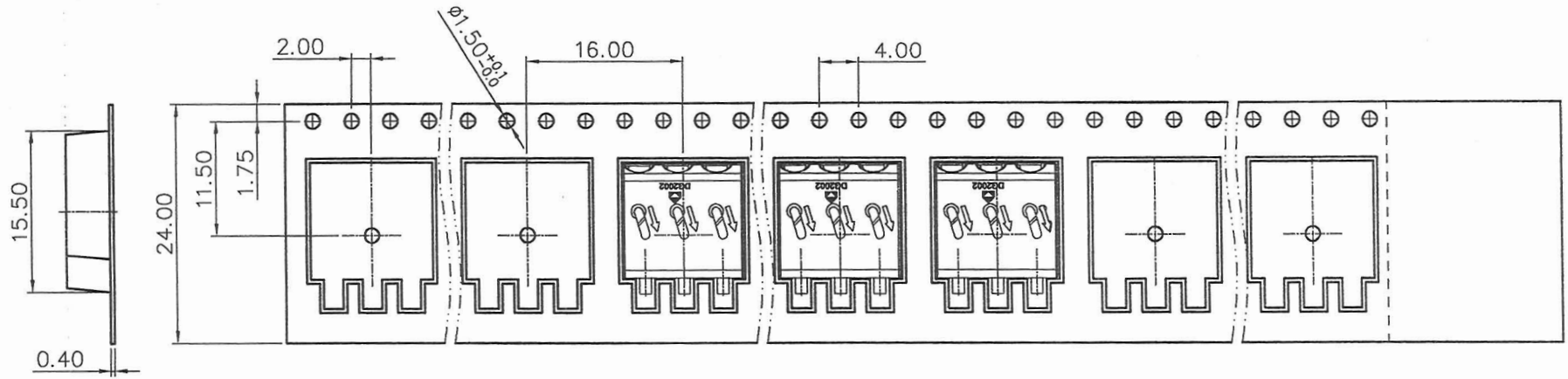
←
包装卷起方向



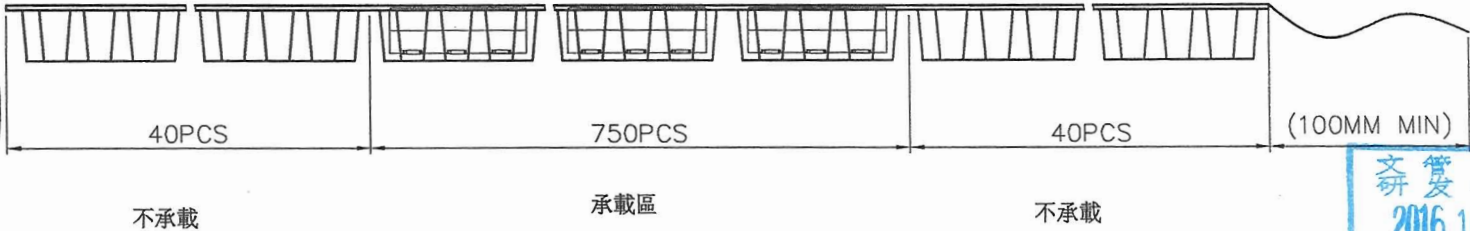
奇策专用
2016.10.26
(仅限内部使用, 对外无效)

DETACHED LISTS	PART NO.: /	宁波高松电子有限公司 NINGBO DEGSON ELECTRICAL CO., LTD		
	APPD: Frank 10/21-16"	NAME:	DG2002-4.0-XXP-1Y-100A(H)	
	CHKD: DL 10/21-16"	TITLE:	ASSEMBLY DRAWING	REV TO
	DRFT: WL 05/14/16"	DRAWING NO.:	DG2002-4.0-E06	SHEET 3/4
THIRD ANGLE PROJECTION		MM (INCH)	DO NOT SCALE DRAWING	SCALE 1:1

REVISION RECORD				
REV	ECN	DESCRIPTION	DRFT	DATE



←
包装卷起方向



奇策专案
2016.10.26
(仅限内部使用,对外无效)

DETACHED LISTS	PART NO.: /	宁波高松电子有限公司 NINGBO DEGSON ELECTRICAL CO., LTD		
	APPD: Frank 10/21-1611	NAME:	DG2002-4.0-XXP-1Y-100A(H)	
	CHKD: PL 10/21-1611	TITLE:	ASSEMBLY DRAWING	REV TO
	DRFT: WL 05/14/16"	DRAWING NO.:	DG2002-4.0-E06	SHEET 4/4
	 THIRD ANGLE PROJECTION	 MM (INCH)	DO NOT SCALE DRAWING	SCALE 1:1