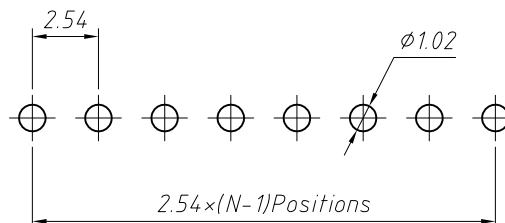
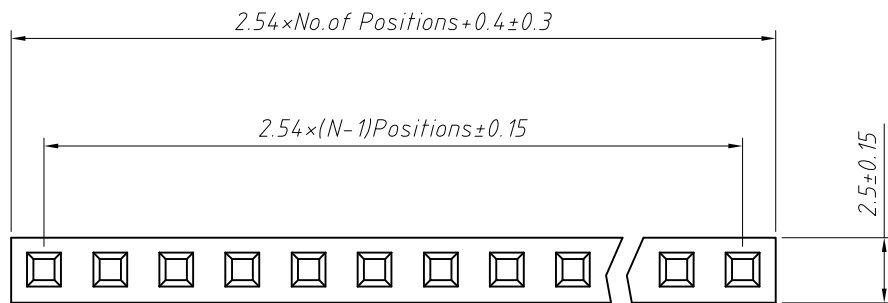


1 RoHS Compliance



Recommended P.C.B Layout (Top Side)
(PCB BOARD TOLERANCE ± 0.05)

Material:

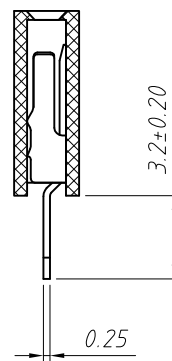
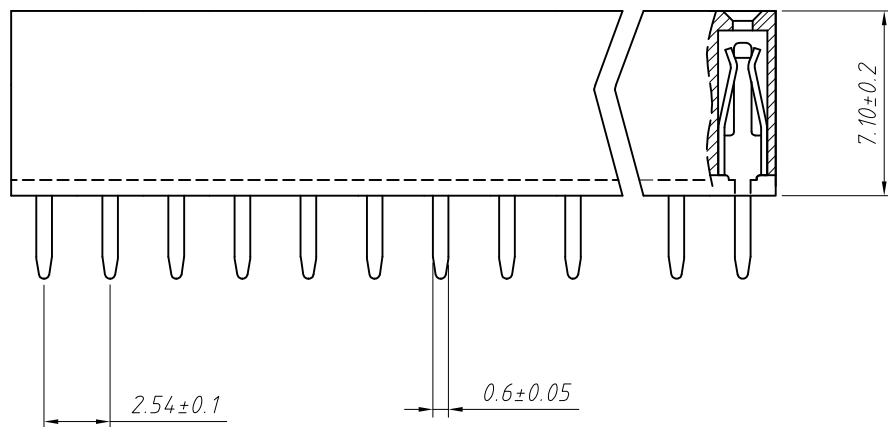
Standard: PBT/PA6T
Contact: Phosphor Bronze
Plating: Au or Sn Over 50u" Ni
Insulator: Polyester, UL 94V-0

Electrical Characteristics:

Rated Current: 3.0AMP
Contact Resistance: 20mΩ Max
Withstand Voltage: 1000V AC/DC
Insulator Resistance: 1000MΩ Min

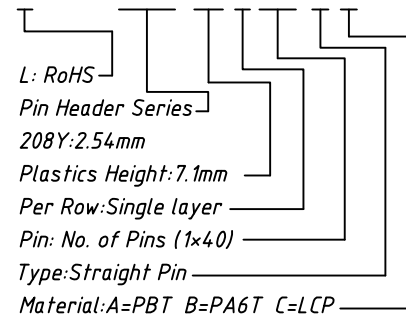
Mechanical:

Operating Temperature: -40°C ~ +105°C
Max. Processing Temp: 230°C for 30-60 seconds
(260°C for 10 seconds)



Order Information:

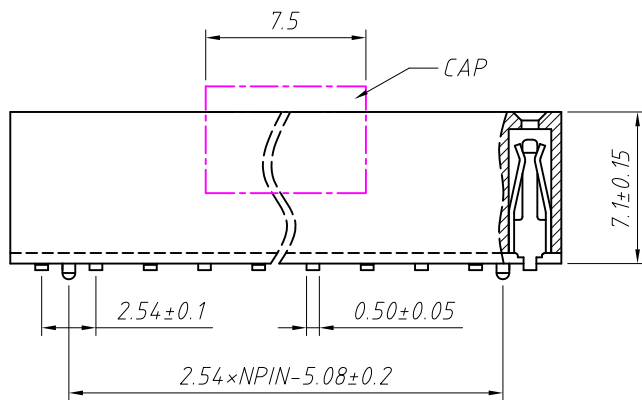
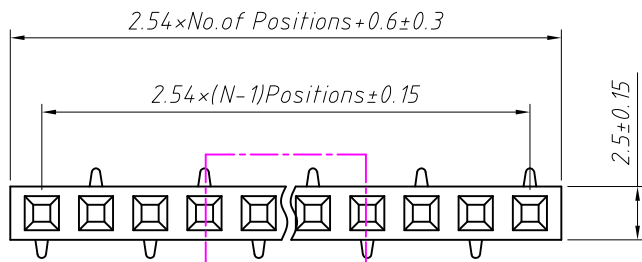
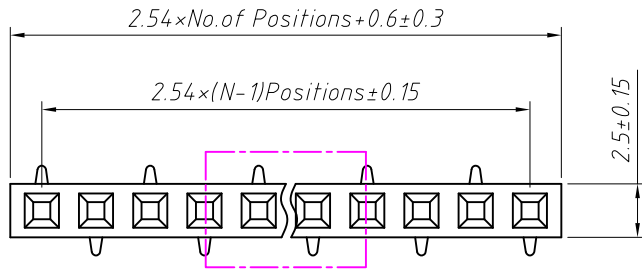
L-KLS1-208Y-7.1-1-XX-S-A



ANGLE TOLERANCE	PROJECTION	Description:	2.54mm Female Header	
±3°		Single layer, Straight Pin, 1xN Pin		
GENERAL TOLERANCE	UNITS	mm	KLS P/N:	L-KLS1-208Y-7.1-1-XX-S-A
x.x ±0.30	SHEET SIZE	A4		
x.xx ±0.20	Draw:	Daniel	2018-07-10	
x.xxx ±0.10	Check:	Daniel	2018-07-10	

NingBo KLS ELECTRONIC CO.,L TD.

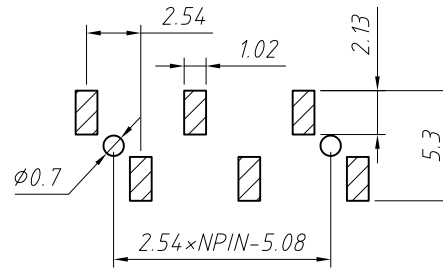
RoHS Compliance



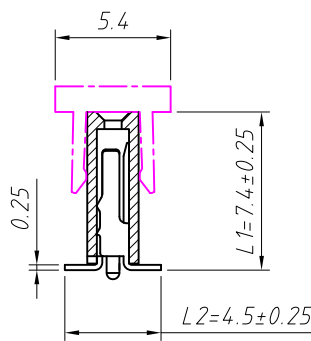
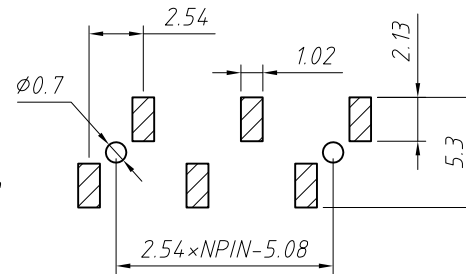
Dimension antitheses list (mm)			
ITEM	L1	L2	Plastic Height
Standard	7.40	4.50	7.10
Nonstandard	---	---	---

Recommended P.C.B Layout (Top Side)
(PCB BOARD TOLERANCE ± 0.05)

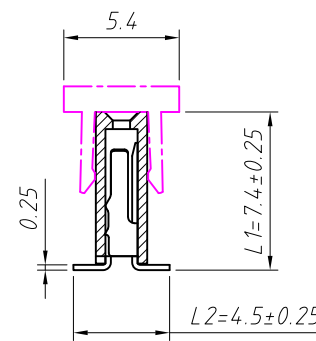
T1 Type



T2 Type



W=With Post



N=Without Post

Material:
Standard: PA6T
Contact: Brass
Contact plating: Au or Sn Over Ni
Insulator: Polyester, UL 94V-0

Electrical Characteristics:
Rated Current: 3.0AMP
Contact Resistance: 20mΩ Max
Withstand Voltage: 1000V AC/DC
Insulator Resistance: 1000MΩ Min

Mechanical:
Operating Temperature: -40°C ~ +105°C
Max. Processing Temp: 230°C for 30-60 seconds
(260°C for 10 seconds)

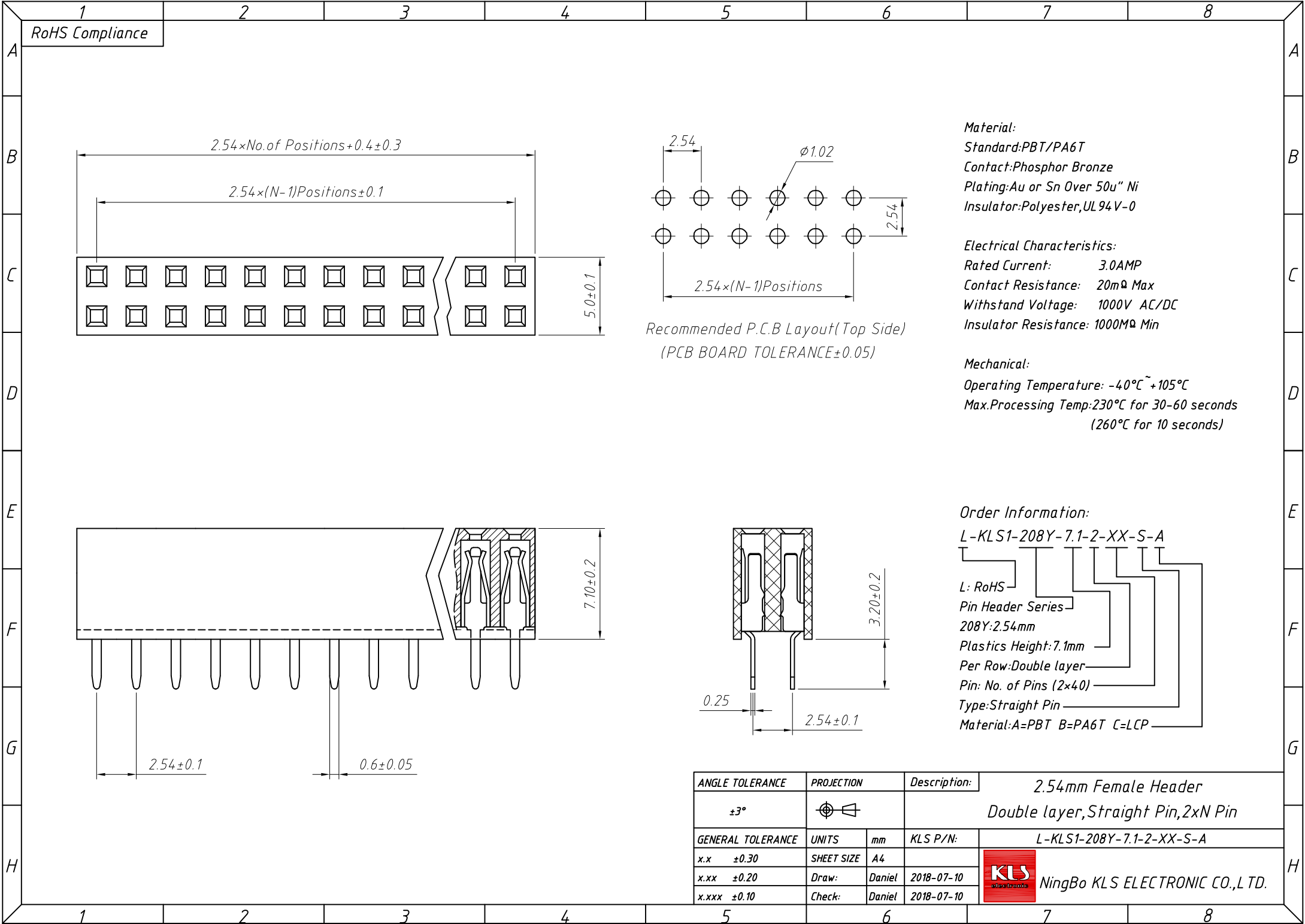
Order Information:

L-KLS1-208Y-7.1-1-XX-T1-L1xL2-W-B-R

L: RoHS
Female Header Series
208Y: 2.54mm
Plastics Height: 7.1mm
Per Row: Single layer
Pin: No. of Pins (1x40)
SMT: T1 Type, T2 Type
Size: L1xL2
Post: W=With Post N=Without Post
Material: A=PBT B=PA6T C=LCP
Packing:
A=Tray T=Tube M=Reel+Mylar
P=Tube+Cap R=Reel+Cap

ANGLE TOLERANCE	PROJECTION	Description:	2.54mm Female Header Single layer, SMT, 1xN Pin	
±3°				
GENERAL TOLERANCE	UNITS	mm	KLS P/N:	L-KLS1-208Y-7.1-1-XX-T1-L1xL2-W-B-R
x.x ±0.30	SHEET SIZE	A4		
x.xx ±0.20	Draw:	Daniel	2018-07-10	NingBo KLS ELECTRONIC CO.,L TD.
x.xxx ±0.10	Check:	Daniel	2018-07-10	

1
RoHS Compliance



Material:
Standard:PBT/PA6T
Contact:Phosphor Bronze
Plating:Au or Sn Over 50u" Ni
Insulator:Polyester,UL 94V-0

Electrical Characteristics:
Rated Current: 3.0AMP
Contact Resistance: 20mΩ Max
Withstand Voltage: 1000V AC/DC
Insulator Resistance: 1000MΩ Min

Mechanical:
Operating Temperature: -40°C ~ +105°C
Max.Processing Temp:230°C for 30-60 seconds
 (260°C for 10 seconds)

Order Information:
 L-KLS1-208Y-7.1-2-XX-S-A

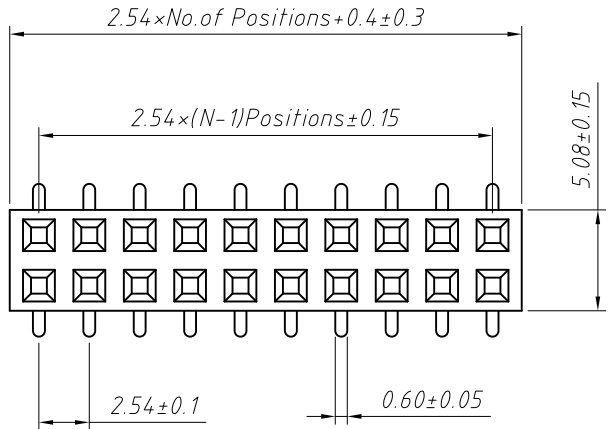
- L: RoHS
- Pin Header Series
- 208Y:2.54mm
- Plastics Height:7.1mm
- Per Row:Double layer
- Pin: No. of Pins (2x40)
- Type: Straight Pin
- Material:A=PBT B=PA6T C=LCP

Recommended P.C.B Layout (Top Side)
 (PCB BOARD TOLERANCE ±0.05)

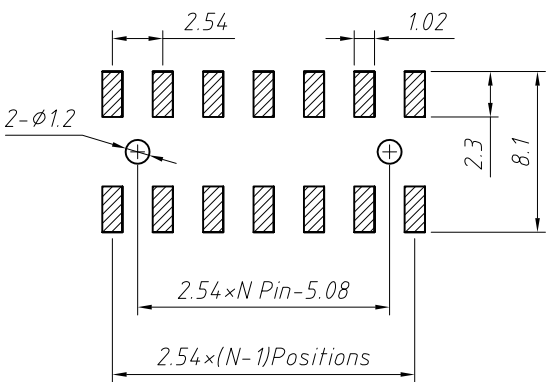
ANGLE TOLERANCE	PROJECTION	Description:	2.54mm Female Header	
±3°			Double layer, Straight Pin, 2xN Pin	
GENERAL TOLERANCE	UNITS	mm	KLS P/N:	L-KLS1-208Y-7.1-2-XX-S-A
x.x ±0.30	SHEET SIZE	A4		
x.xx ±0.20	Draw:	Daniel	2018-07-10	
x.xxx ±0.10	Check:	Daniel	2018-07-10	

NingBo KLS ELECTRONIC CO.,L TD.

1 RoHS Compliance



Recommended P.C.B Layout (Top Side)
(PCB BOARD TOLERANCE±0.05)



Material:
Standard:PA6T
Contact: Brass
Contact plating: Au or Sn Over Ni
Insulator: Polyester, UL 94 V-0

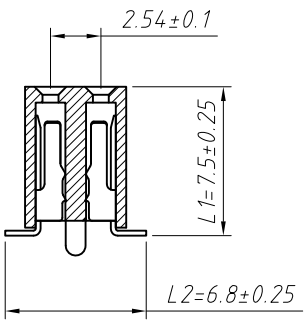
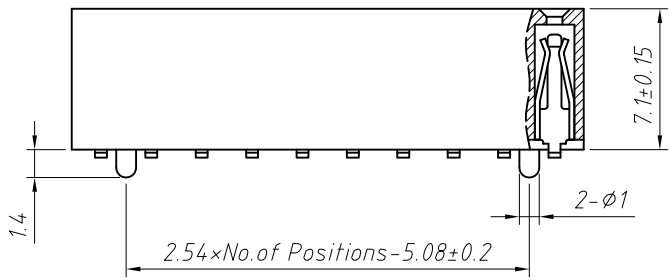
Electrical Characteristics:
Rated Current: 3.0AMP
Contact Resistance: 20mΩ Max
Withstand Voltage: 1000V AC/DC
Insulator Resistance: 1000MΩ Min

Mechanical:
Operating Temperature: -40°C ~ +105°C
Max.Processing Temp: 230°C for 30-60 seconds
(260°C for 10 seconds)

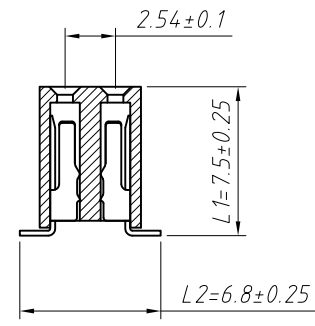
Order Information:

L-KLS1-208Y-7.1-2-XX-T-L1xL2-B-R

L: RoHS
Pin Header Series
208Y: 2.54mm
Plastics Height: 7.1mm
Per Row: Double layer
Pin: No. of Pins (2x40)
SMT: T=Without Post, T3=With Post
Size: L1xL2
Material: A=PBT B=PA6T C=LCP
Packing:
A=Tray T=Tube M=Reel+Mylar
P=Tube+Cap R=Reel+Cap



T3=With Post



T=Without Post

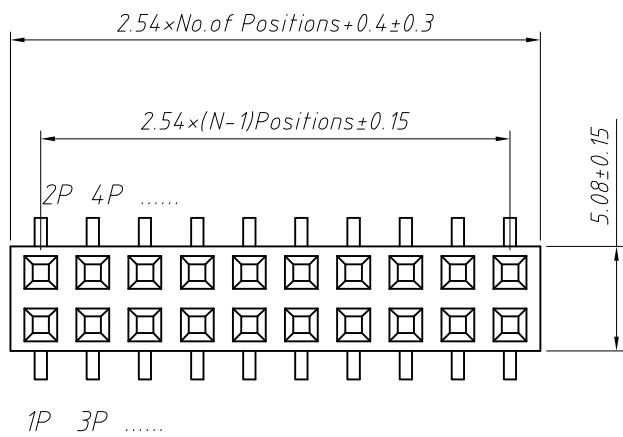
Dimension antitheses list (mm)			
ITEM	L1	L2	Plastic Height
Standard	7.50	6.80	7.10
Nonstandard	---	---	---

ANGLE TOLERANCE	PROJECTION	Description:
±3°		2.54mm Female Header Double layer, SMT, 2xN Pin
GENERAL TOLERANCE	UNITS	mm
x.x ±0.30	SHEET SIZE	A4
x.xx ±0.20	Draw:	Daniel 2018-07-10
x.xxx ±0.10	Check:	Daniel 2018-07-10

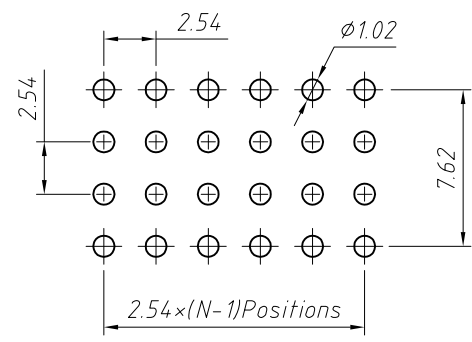
L-KLS1-208Y-7.1-2-XX-T-L1xL2-B-R

NingBo KLS ELECTRONIC CO.,L TD.

1 RoHS Compliance



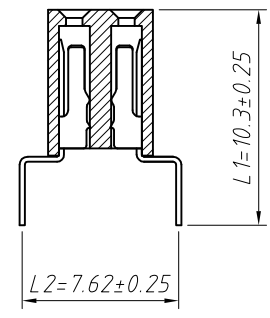
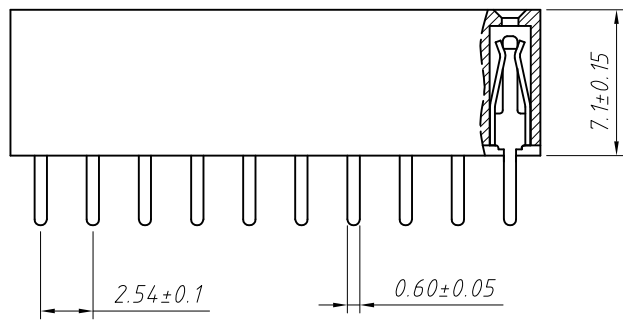
Recommended P.C.B Layout (Top Side)
(PCB BOARD TOLERANCE ± 0.05)



Material:
Standard: PA6T
Contact: Brass
Contact plating: Au or Sn Over Ni
Insulator: Polyester, UL 94 V-0

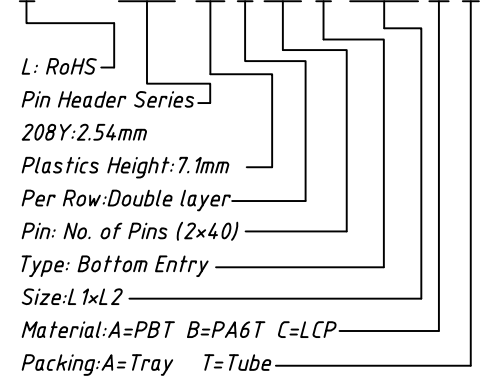
Electrical Characteristics:
Rated Current: 3.0 AMP
Contact Resistance: 20mΩ Max
Withstand Voltage: 1000V AC/DC
Insulator Resistance: 1000MΩ Min

Mechanical:
Operating Temperature: -40°C ~ +105°C
Max. Processing Temp: 230°C for 30-60 seconds
(260°C for 10 seconds)



Order Information:

L-KLS1-208Y-7.1-2-XX-W-L1xL2-B-A



Dimension antitheses list (mm)			
ITEM	L1	L2	Plastic Height
Standard	10.30	7.62	7.10
Nonstandard	---	---	---

ANGLE TOLERANCE	PROJECTION	Description:	2.54mm Female Header Double layer, Bottom Entry, 2xN Pin	
±3°				
GENERAL TOLERANCE	UNITS	mm	KLS P/N:	L-KLS1-208Y-7.1-2-XX-W-L1xL2-B-A
x.x ±0.30	SHEET SIZE	A4		
x.xx ±0.20	Draw:	Daniel	2018-07-10	NingBo KLS ELECTRONIC CO.,L TD.
x.xxx ±0.10	Check:	Daniel	2018-07-10	