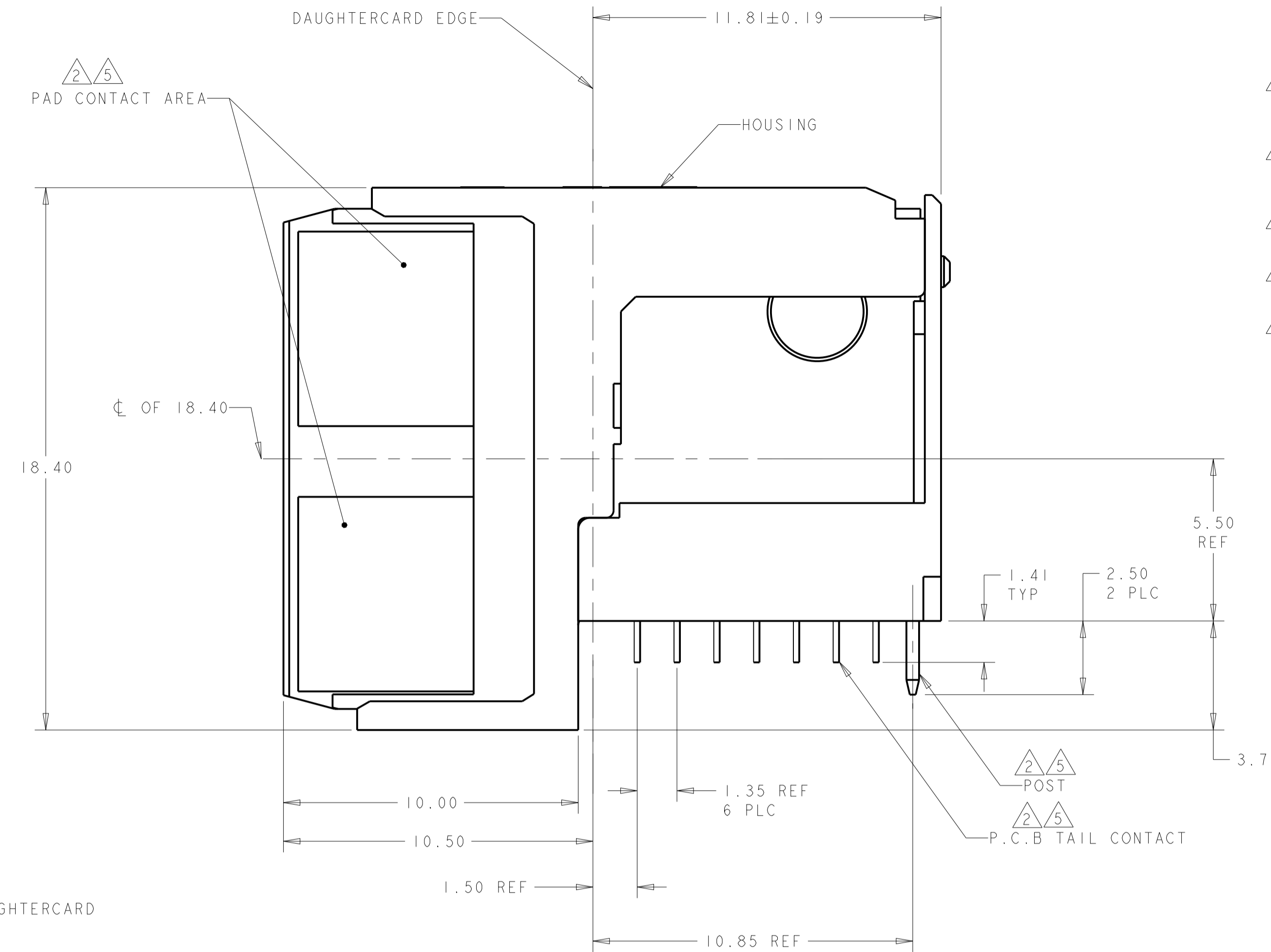
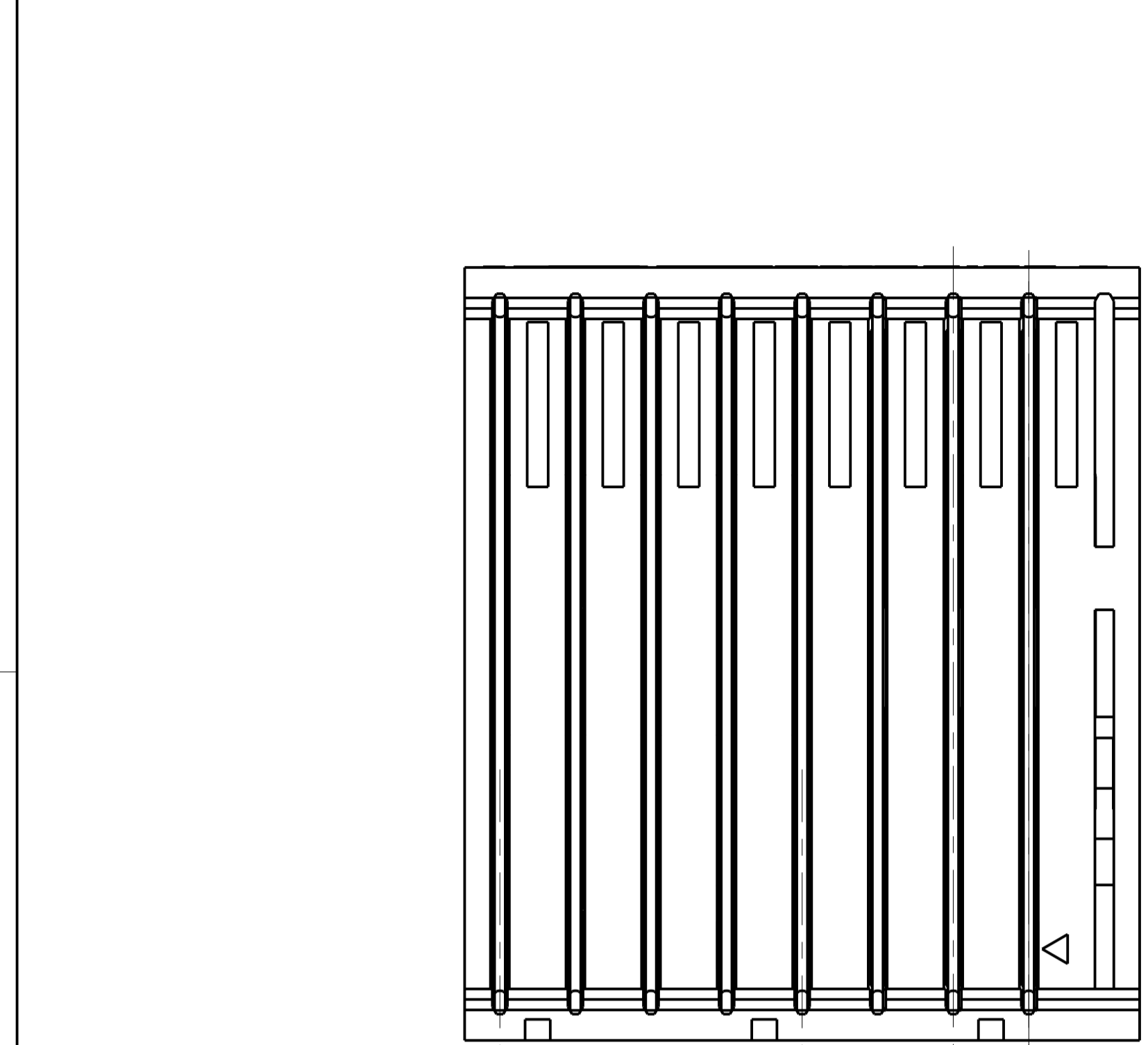


LOC	DIST	REV	DATE	BY	CHK	APPV
-	-	D	9-23-14	CT	DH	



- ① HOUSING: LCP, UL94V0, COLOR: BLACK. CONTACT: PHOSPHOR BRONZE. POST: BRASS WIRE
- ② CONTACT: 1.27µm MIN GOLD IN PAD CONTACT AREA. 1.27µm MIN TIN-LEAD ON PCB TAIL OVER 1.27µm MIN. NICKEL OVER ALL. POST: 1.27µm MIN NICKEL PLATED.
- ③ PLATED THROUGH HOLE PER 114-13056, FIGURE 4
- ④ SEE TABLE 1 FOR INTERCONNECTIONS TO BACKPLANE CONNECTOR.
- ⑤ CONTACT: 1.27µm MIN GOLD IN PAD CONTACT AREA. 1.27µm MIN TIN ON PCB TAIL OVER 1.27µm MIN. NICKEL OVER ALL. POST: 1.27µm MIN NICKEL PLATED.

TABLE 1  
INTERCONNECTIONS WITH BACKPLANE CONNECTOR 2102735-1

TYPICAL INTERCONNECTIONS FOR COLUMN (WAFER): 8

CONTACT USAGE	DAUGHTERCARD CONNECTOR PIN	BACKPLANE CONNECTOR PIN
SIGNAL PAIR	bx	cx
SIGNAL PAIR	ex	gx
SIGNAL PAIR	fx	hx
GROUND	ax, dx, gx, (ALL COMMONED)	ax, bx, ex, fx, ix

TYPICAL INTERCONNECTIONS FOR COLUMN (WAFER): 7

CONTACT USAGE	DAUGHTERCARD CONNECTOR PIN	BACKPLANE CONNECTOR PIN
SIGNAL PAIR	ax	ax
SIGNAL PAIR	bx	bx
SIGNAL PAIR	dx	ex
SIGNAL PAIR	ex	fx
SIGNAL	gx	ix
GROUND	cx, fx (ALL COMMONED)	cx, dx, gx, hx

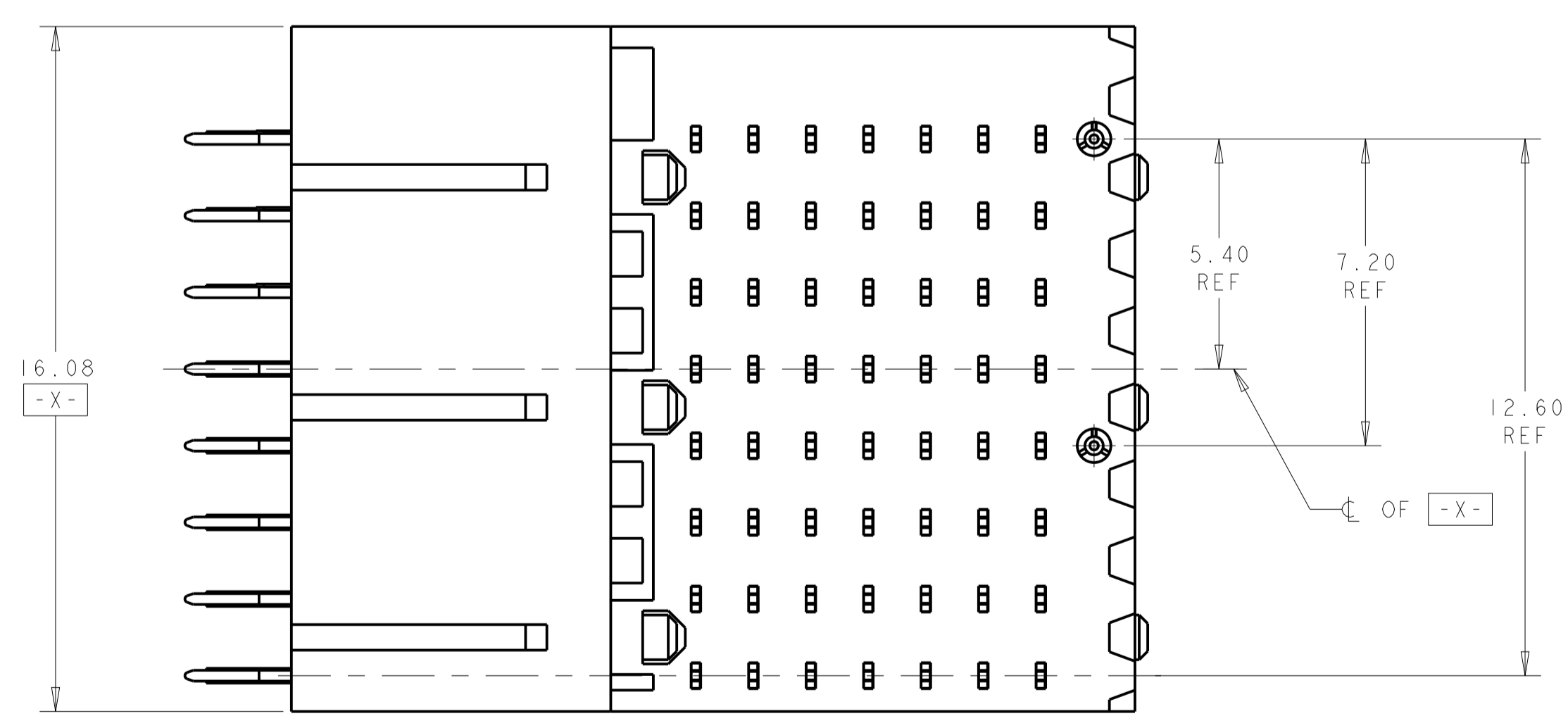
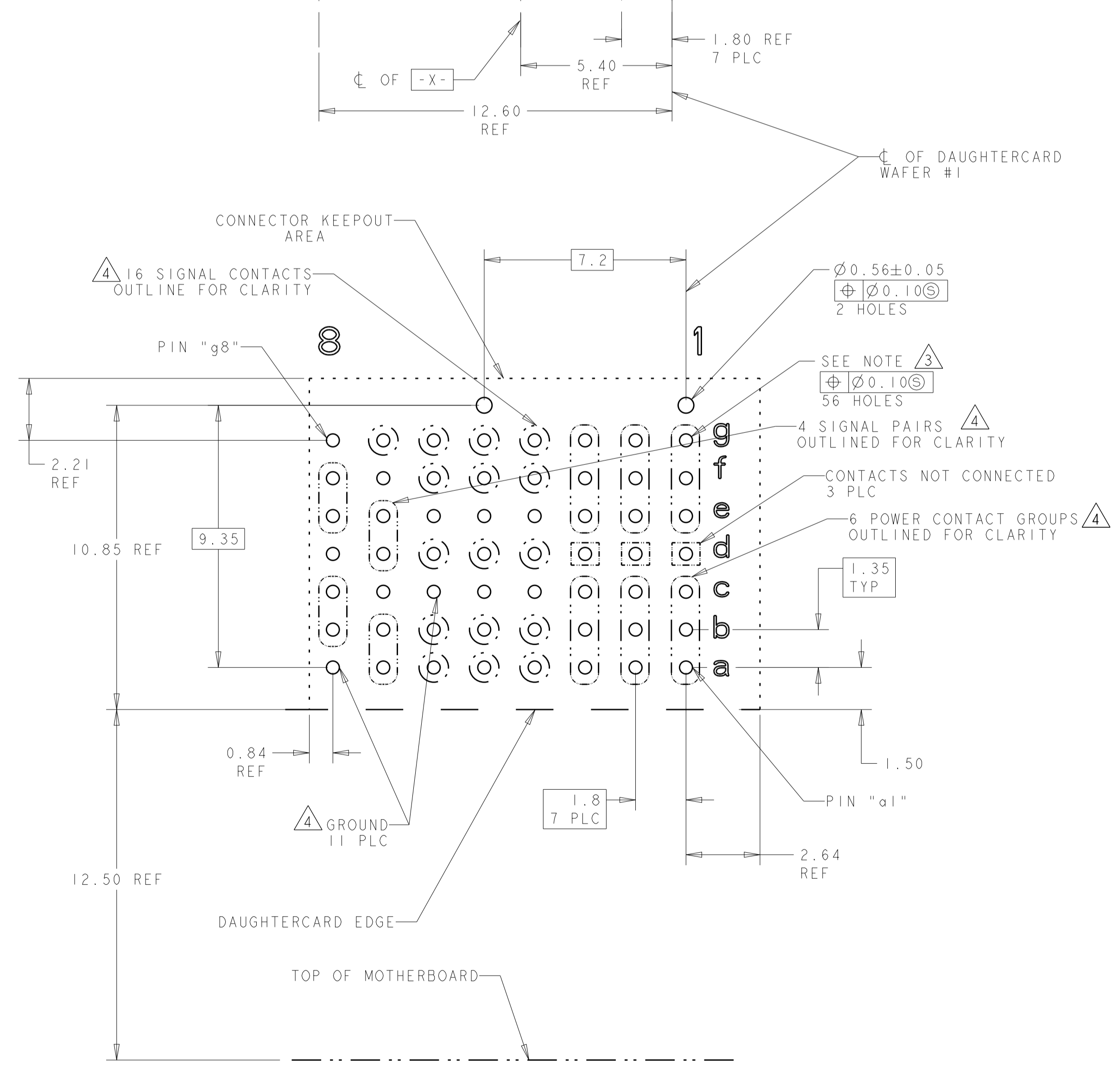
TYPICAL INTERCONNECTIONS FOR EACH COLUMN (WAFER): 4,5,6

CONTACT USAGE	DAUGHTERCARD CONNECTOR PIN	BACKPLANE CONNECTOR PIN
SIGNAL	ax	bx
SIGNAL	bx	cx
SIGNAL	dx	ex
SIGNAL	fx	gx
SIGNAL	gx	hx
GROUND	cx, ex, (ALL COMMONED)	ax, dx, fx, ix

TYPICAL INTERCONNECTIONS FOR EACH COLUMN (WAFER): 1,2,3

CONTACT USAGE	DAUGHTERCARD CONNECTOR PIN	BACKPLANE CONNECTOR PIN
POWER	ax, bx, cx	ax, bx, cx, dx
POWER	ex, fx, gx	fx, gx, hx, ix
NOT CONNECTED	dx	ex

NOTE: "x" DESIGNATES THE COLUMN NUMBER



PC BOARD LAYOUT (CONNECTOR SIDE) SCALE 8:1

⑤	2102772-2
②	2102772-1
PLATING	PART NO

THIS DRAWING IS A CONTROLLED DOCUMENT.		OWN: R. MILLER 04OCT2011	TE Connectivity
DIMENSIONS: mm		CHK: K. THACKSTON 12JAN2012	
TOLERANCES UNLESS OTHERWISE SPECIFIED:		APPV: M. McALONIS 15SEP2012	NAME: RIGHT-ANGLE PLUG ASSEMBLY, 7 ROW HALF LEFT END, 20.3mm, MULTIGIG RT 2-R, DAUGHTERCARD CONNECTOR, VITA 46 SIZE: CAGE CODE DRAWING NO. RESTRICTED TO WEIGHT: 5.41g SCALE: 8:1 SHEET 1 OF 1 REV D
0 PLC ±0.13		PRODUCT SPEC: 108-2072	
2 PLC ±0.5		APPLICATION SPEC: 114-13056	
4 PLC ±0.13		FINISH: 114-13056	
MATERIAL: SEE TABLE		WEIGHT: 5.41g	Customer Drawing