

## FD 9225 series

92x92x25 mm

### Features

- UL 94V-0 thermoplastic frame
- UL 94V-0 thermoplastic impeller
- Ball bearing
- Lead wires
- Polarity protection\*
- Optional functions: FG, RD, PWM
- Operating temp.: -10~+70 °C
- Storage temp.: -40~+70 °C
- 78 g



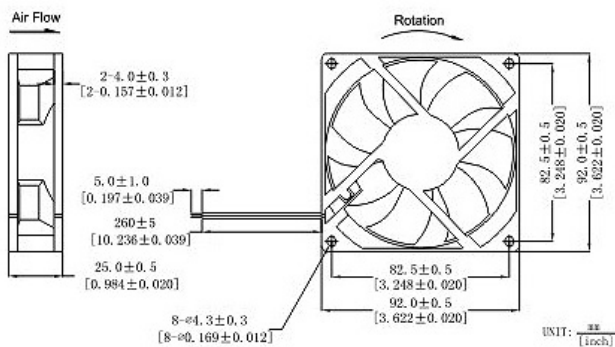
Model	Voltage VDC	Current A	Input Power (W)	Speed RPM	Airflow cfm	Static pressure (mmH2O)	Sound level dBA
FD 9225 12 B 20	12	0.12	1.44	2000	39.14	1.76	30.3
FD 9225 12 B 28		0.20	2.40	2800	54.05	3.35	36.7
FD 9225 12 B 32		0.26	3.12	3200	61.51	4.34	39.1
FD 9225 12 B 36		0.30	3.60	3600	68.97	5.46	42.8
FD 9225 12 B 40		0.44	5.28	4000	76.42	6.71	46.7
FD 9225 24 B 20	24	0.06	1.44	2000	39.14	1.76	30.3
FD 9225 24 B 28		0.10	2.40	2800	54.05	3.35	36.7
FD 9225 24 B 32		0.13	3.12	3200	61.51	4.34	39.1
FD 9225 24 B 36		0.15	3.16	3600	68.97	5.46	42.8
FD 9225 24 B 40		0.20	4.80	4000	76.42	6.71	46.7
FD 9225 48 B 32	48	0.07	3.36	3200	61.51	4.34	39.1
FD 9225 48 B 36		0.08	3.84	3600	68.97	5.46	42.8
FD 9225 48 B 40		0.10	4.80	4000	76.42	6.71	46.7

\*: Circuit won't be burned within 5seconds when Vcc & GND are exchanged

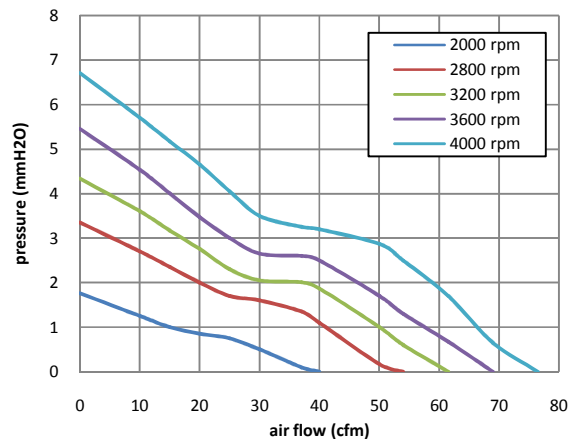
\*\* : above specifications are subject to change without prior notice

\*\*\*: for non-standard product, contact our sale's team at [info@ventus-sa.com](mailto:info@ventus-sa.com)

### Dimensions



### Performance



### Ordering Code:

Fan type	Dimensions	Voltage	Bearing type		Speed	optional			Electrical connections		Other specs*	
			Ball	sleeve		FG	RD	PWM	Terminals	Lead wires		
DC fans	9225	12/24/48	B	-	20/28/32/36/40	T	D	P	-	-	L	/O

\*: if the ordered item is not standard fans offered on our website, always put "/O" at the end of the ordering code and specify the project number which is unique for any non-standard products. Sales team will provide this project number together with specs sheet confirmed by both parties.

Example: FD 9225 24 B32-L