

The information provided herein is from CONNFLY Electronic Co., Ltd. and is confidential. Any disclosure to a party other than the recipient is prohibited. The intellectual properties and its rights contained herein, including but not limited to, trademarks, patents, copyrights, trade secrets, and technical know-how, are owned exclusively by CONNFLY or its affiliates. Unauthorized use of this information, in any form or by any means, without the prior written consent of CONNFLY, may constitute a violation of applicable laws and regulations. CONNFLY may enforce its intellectual property rights at its own discretion, failures or delays to exercise such rights does not constitute a waiver of such rights.

REV.	DESCRIPTION	DRAWN	CHECKED	APPROVED
A	NEW RELEASE	JLZ 01/04/17'	HZW 01/04/17'	LJC 01/04/17'
B	DRAWING UPDATE	JLZ 01/16/18'		

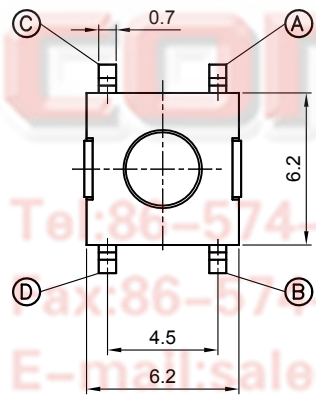
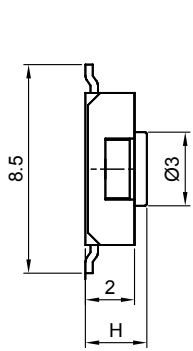
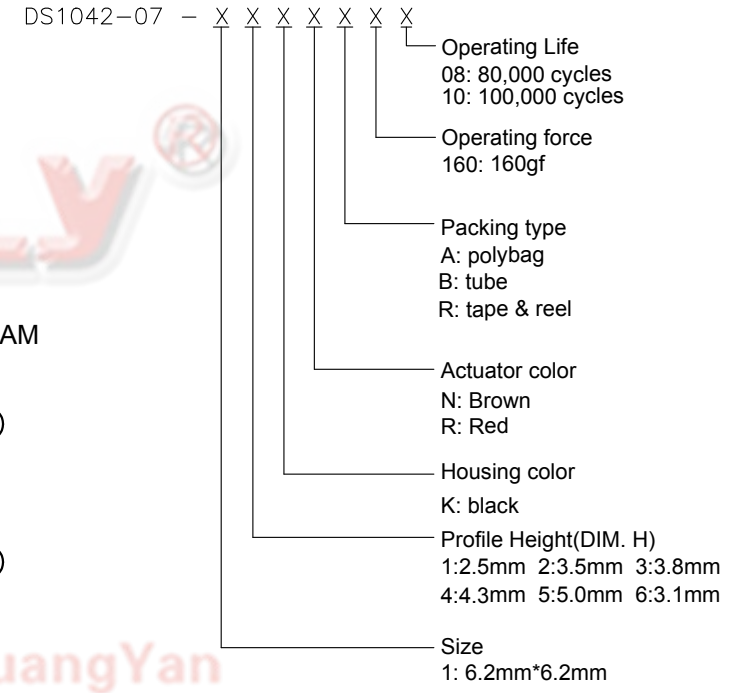
NOTES:

1. SPECIFICATIONS

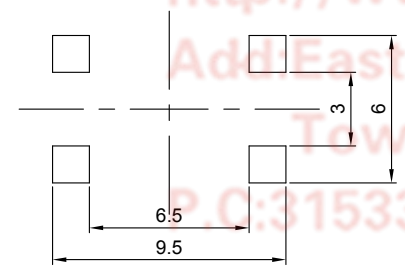
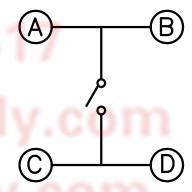
- Switch Function: Single Pole Single Throw
- Contact Rating: 50mA at 12Vdc
- Insulation Resistance: 100MΩ min.
- Contact Resistance: 100mΩ max.
- Operating Life: 100,000 cycles
- Operation Temperature Range: -25°C to +70°C

- Wave Soldering: Recommended Solder Temperature At 500°F(260°C)max. 5 Seconds, Subject To PCB 1.6mm Thickness.
- Hand Soldering: Use Soldering Iron Of 30 Watts, Controlled At 608°F(320°C) Approximately 2 Seconds.

2. PRODUCT NUMBER CODE:



CIRCUIT DIAGRAM



Recommend PCB layout
Tolerance ±0.05

GENERAL TOLERANCE		ANGLE TOLERANCE	
X.	±0.60	X.	±5°
.X	±0.38	.X	±3°
.XX	±0.25	.XX	±2°

DRAWING TYPE	CUSTOMER		
SCALE	1:1	SHEET	1 OF 1
DRAWING NO.	C-DS1042-07-XXXXXX-B		

PROJECTION	TITLE	TACT SWITCH SMT TYPE	
UNITS	mm	6.2mmX6.2mm	
SHEET SIZE	A4	SERIES	DS1042-07 SERIES

晨翔电子有限公司

CONNFLY ELECTRONIC CO. LTD