



Product Specification

Product Name: 120W micro infrared remote control LED driver
Product Model: LDP-120M062 CE
LDP-120R062 CE
Rev. A.1

Address: Sangtai Industrial Park Guanwai
Xiaobaimang Songbai Road
Nanshan District, Shenzhen
City, Guangdong Province, P.R.China
Post Code: 518108
TEL: 0755-27657000
FAX: 0755-27657908
E-mail: moso@mosopower.com
Web site: <http://www.mosopower.com>

Prepared By	Checked By	Approved By

Reference standard literature

1. UL 8750-2009 Light Emitting Diode(LED) Equipment for Use in Lighting Products

2. GB 19510.1-2009 灯的控制装置 第一部分 一般要求和安全要求

IEC 61347-1 Lamp control gear-Part 1:General and safety requirements

3. GB 19510.14-2009 灯的控制装置 第四部分 LED 模块用直流或交流电子控制装置的特殊要求

IEC 61347-2-13 Lamp control gear-Part 2-13:Particular requirements for d.c or a.c. supplied electronic control gear for LED modules

4. GB 7000.5 -2005 道路与街路照明灯具安全要求

IEC 60598-1-2008 Luminaires – Part 1: General requirements and tests

5. EN55015 Limits and methods of measurement of radio disturbance characteristics of electrical lighting and similar equipment

6. GB17625.1 电磁兼容 限值 谐波电流发射限值(设备每相输入电流≤16A)

IEC 61000-3-2 Electromagnetic compatibility(EMC)-Part 3-2:Limits-Limits for harmonic current emissions(equipment input current≤16A per phase)

7. IEC 61000-3-3 Electromagnetic compatibility(EMC)-Part 3-3:Limits-Limitation of voltage changes, voltage fluctuations and flicker in public low-voltage supply systems,for equipment with rated current ≤16 A per phase and not subject to conditional connection

8. IEC 61547 Equipment for general lighting purposes- EMC immunity requirements

9. GB17743 电气照明和类似设备的无线骚扰特性的限值和测量方法

Contents

1	Scope.....	1
2	Input Characteristics.....	1
	2.1 Input Voltage And Frequency.....	1
	2.2 AC Input Current.....	1
	2.3 Inrush Current (Cold Start)	1
	2.4 Power Factor	1
	2.5 Efficiency	1
	2.6 THDi	1
	2.7 Standby power consumption	2
3	Output Characteristic	2
	3.1 Output Power	2
	3.2 Output Voltage and Current.....	2
	3.3 Output Current Ripple.....	2
	3.4 Cold Start Turn-On Delay Time.....	3
	3.5 Output Current Overshoot	3
	3.6 Line Regulation (Input Voltage Regulation).....	3
	3.7 Load Regulation.....	3
4	Dimming Control	3
	4.1 Function.....	3
	4.2 Define of Connect Interface	3
	4.3 Dimming Interface.....	4
	4.4 Dimming Curve	4
5	Protect Function.....	4
	5.1 Short Circuit Protect	4
	5.2 Over Output Voltage Protect.....	5
	5.3 Over Temperature Protect	5
6	Efficiency vs Output Voltage Curve.....	5
7	Power Factor vs Load Power Curve	6
8	Safety And Electromagnetic Compatibility.....	6
	8.1 Safety Standards.....	6
	8.2 Electromagnetic Compatibility Standards	7
9	Details Of Safety Specifications	7
	9.1 Dielectric Strength.....	7
	9.2 Grounding Resistance.....	7
	9.3 Leakage Current	7
	9.4 Insulation Resistance.....	7
	9.5 Surge Immunity Test.....	7
10	Environmental Specifications.....	8

10.1	Operated Temperature And Humidity	8
10.2	Storage Temperature And Humidity	8
10.3	Degrees of Protection.....	8
11	Reliability.....	8
11.1	Mean Time Between Failure (MTBF) Qualification (According as MIL-HDBK-217F Standards).....	8
11.2	Life Time Qualification.....	8
11.3	Maximum Case Temperature Tc	8
11.4	Vibration.....	8
11.5	Drop Test	8
12	Mechanical Outline Drawing.....	9
13	Label.....	9
14	Weight.....	10

1 Scope

This document defines the electrical, mechanical and environmental specifications of a 120W micro infrared remote control LED driver. The LED driver shall meet the RoHS requirement.

This enclosure of LED driver is:

- With AL Case With Plastic Case Open Frame Others

2 Input Characteristics

2.1 Input Voltage And Frequency

Item	Minimum	Rated Value	Maximum
Input Voltage	180Vac	200-277Vac	305Vac
Input Frequency	47Hz	50/60 Hz	63Hz

2.2 AC Input Current

Under 25°C±10°C ambient temperature, rated input and output range (reference output power - input voltage curve), maximum AC input current is 1.0 A.

2.3 Inrush Current (Cold Start)

Under 25°C±10°C ambient temperature, 230Vac input, the peak value of the inrush current is less than 75 A.

2.4 Power Factor

2.4.1 Under 25°C±10°C ambient temperature, 230Vac input, 100% load, the typical value of power factor is 0.96 , the minimum value is 0.95;

2.4.2 Under 25°C±10°C ambient temperature, 230Vac input, 80% load, the typical value of power factor is 0.95 , the minimum value is 0.95.

2.5 Efficiency

2.5.1 Under 25°C±10°C ambient temperature, 230Vac input, 45V output voltage, 100% load, the typical value of efficiency is 92%, the minimum value is 90%;

2.5.2 Under 25°C±10°C ambient temperature, 230Vac input, 40V output voltage, 100% load, the typical value of efficiency is 91%, the minimum value is 89%;

2.5.3 Under 25°C±10°C ambient temperature, 230Vac input, 62V output voltage, 100% load, the typical value of efficiency is 91%, the minimum value is 89%.

2.6 THDi

2.6.1 Under 25°C±10°C ambient temperature, 230Vac input, 100% load, THDi is less than 15%;

2.6.2 Under 25°C±10°C ambient temperature, 230Vac input, 80% load, THDi is less than 15%.

2.7 Standby power consumption

Under 25°C±10°C ambient temperature, rating input voltage, the average value of standby power consumption is less than 5W.

3 Output Characteristic

3.1 Output Power

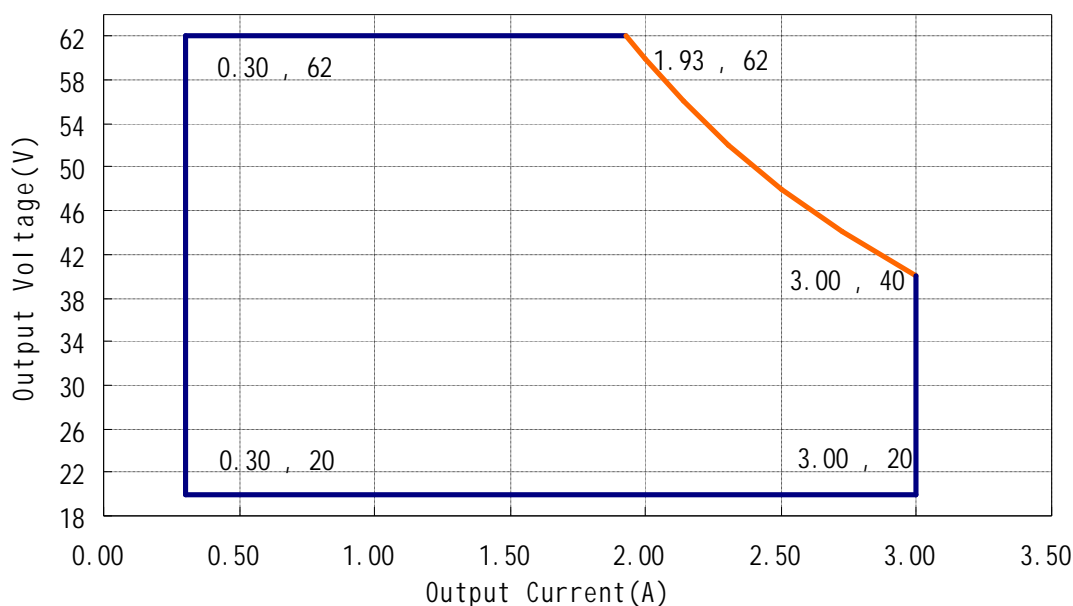
Under full input voltage range(reference output power - input voltage curve), the maximum value of output power is 120 W.

3.2 Output Voltage and Current

Item (Unit)	Value	Test Condition (Under 25°C±10°C Ambient Temperature)
Adjust Range of Output Current (A)	0.3~3.0	full input voltage range ^[1]
Leave Factor Range of Output Voltage(V)	20~45	full input voltage range
Adjust Range of Output Voltage(V)	20~62	full input voltage range
Error of Output Current	±5% ^[2]	full input voltage range, full load range
No Load Output Voltage (V)	≤80V	full input voltage range
Leave Factory Default Output Spec	45V ^[3]	full input voltage range
	2.67A ^[4]	full input voltage range

Note: 1. depended on maximum output current;
2. leave factory default full load rating output voltage;
3. default output current can setting.

Output Voltage VS Current Curve



3.3 Output Current Ripple

Under 25°C±10°C ambient temperature, 230Vac input, 100% load, the ratio of output current ripple^[1] peak-peak value and rated output current is less than 16%.

Note: load is LED, ripple is different with difference LED load.

3.4 Cold Start Turn-On Delay Time

Under 25°C±10°C ambient temperature, 180-305Vac input, 100% load, turn-on delay time at cold start is less than 3000ms.

3.5 Output Current Overshoot

Under 25°C±10°C ambient temperature, 180-305Vac input, LED full load, the ratio of output current overshoot and rated output current is less than 10%.

3.6 Line Regulation (Input Voltage Regulation)

Under 25°C±10°C ambient temperature, 100% load, change input from 180Vac to 305Vac, the Line Regulation (Input Voltage Regulation) is less than 1%.

3.7 Load Regulation

Under 25°C±10°C ambient temperature, 230Vac input voltage, change load from 50% to 100%, Load Regulation is less than 3%.

4 Dimming Control^[1]

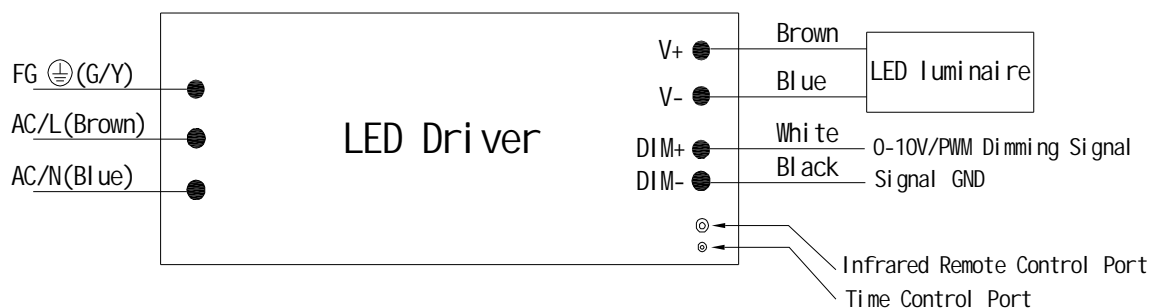
Note:For model LDP-120M062 only

4.1 Function

Function	0-10V	PWM	Time Control
Yes Or No	√	√	√

Note: 1. Normal leave factory product does not have time control function, MOSO will supply standard setting software for user to program when user need time control.
2. User can setting five time section.Customer can change the output current and the time depend on "MOSO Programmer User Manual".

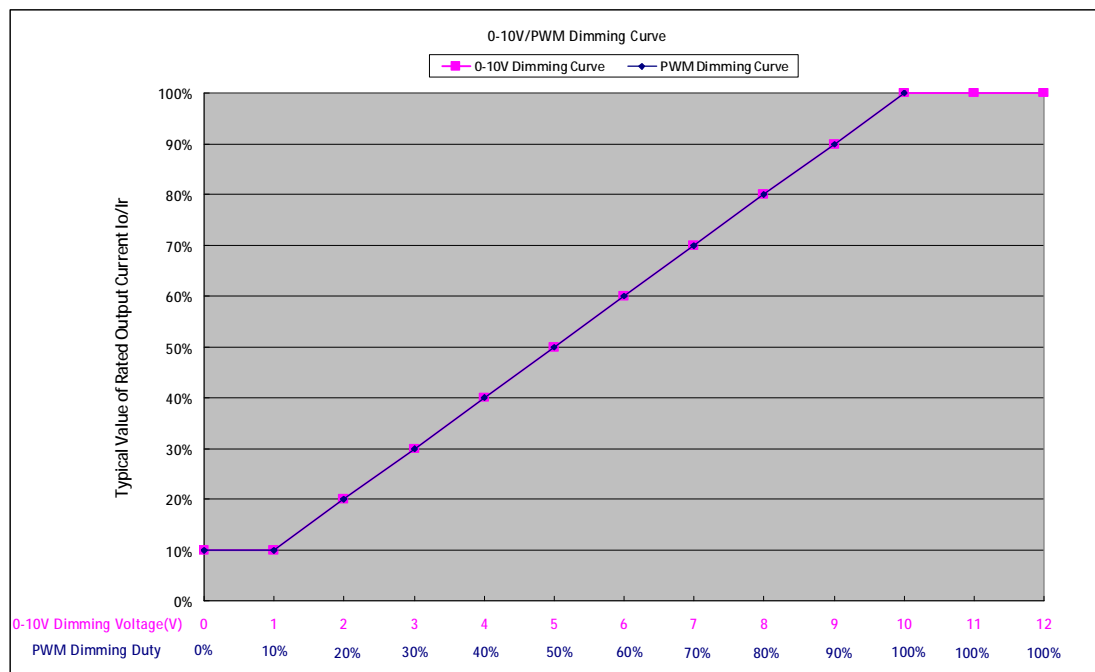
4.2 Define of Connect Interface



4.3 Dimming Interface

Mode	Electrical Interface	
PWM Dimming	Frequency	250Hz~1000Hz
	High Voltage Level	9.7~10.3V or 4.85~5.15V
	Low Voltage Level	0~0.3V
	Sink Current	<2.0 mA
	Open Circuit of Dimming	100% output current
	Linear Dimming Range	10%~100%I _r
	Short Circuit of Dimming	10% I _r output current
0-10V Dimming	Dimming Signal Voltage	0~10Vpp (±1%)
	Sink Current	<2.0 mA
	Open Circuit of Dimming	100% output current
	Linear Dimming Range	10%~100%I _r
	Short Circuit of Dimming	10% I _r output current
<p>Note: 1. When connect external dimmer to LED driver, for the external driver, the maximum sink current should >70uA, maximum output current should >2mA; 2. I_r is maximum output current; 3. PWM dimming mode: detect outside PWM duty, change the output current depend the PWM duty, change the output current depending on proportion; 4. 0-10V dimming mode: detect outside voltage level of 0-10V dimming signal, change the output current depend the voltage level; change the output current depending on proportion; 5. At two in one dimming mode, the maximum revolution definition is 1% at PWM mode, when voltage level of PWM is less than 10V, 99% duty is 100%I_r output, 100% duty is process as 0-10V dimming signal; 6. Can setting to 0-5V dimming by programmer.</p>		

4.4 Dimming Curve



5 Protect Function

5.1 Short Circuit Protect

The average value of input power shall less than 10W when the output rail short, the power supply shall be self-recovery when the fault condition is removed.

5.2 Over Output Voltage Protect

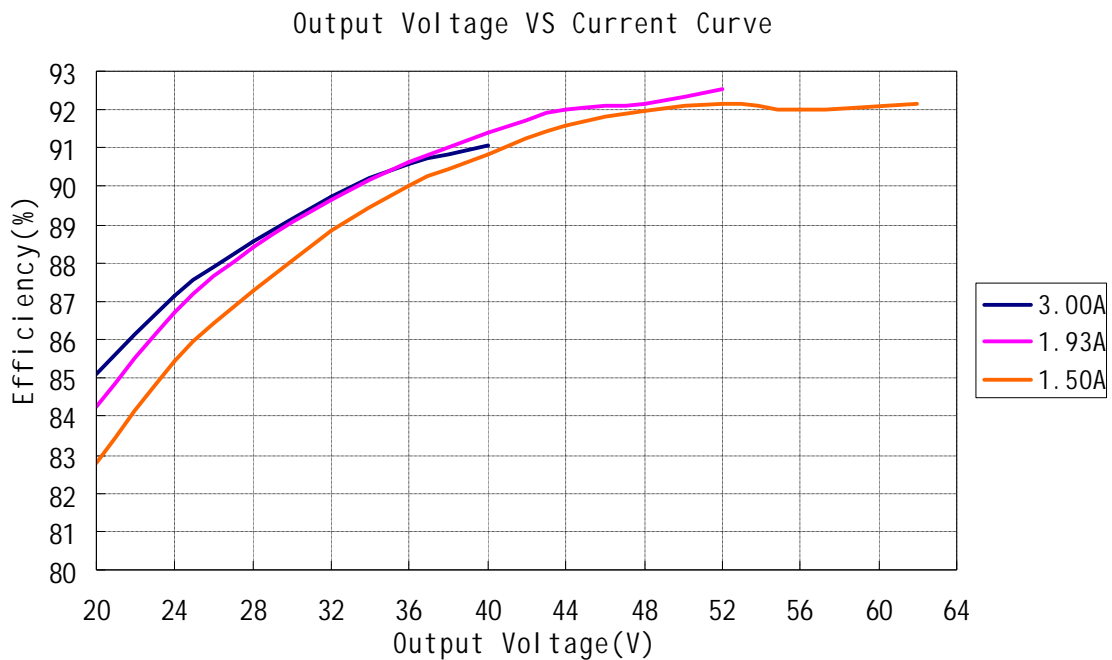
Output voltage is $75 \pm 5V$, the power supply shall be enter over output voltage protect model, should restart power supply when fault condition is removed.

5.3 Over Temperature Protect

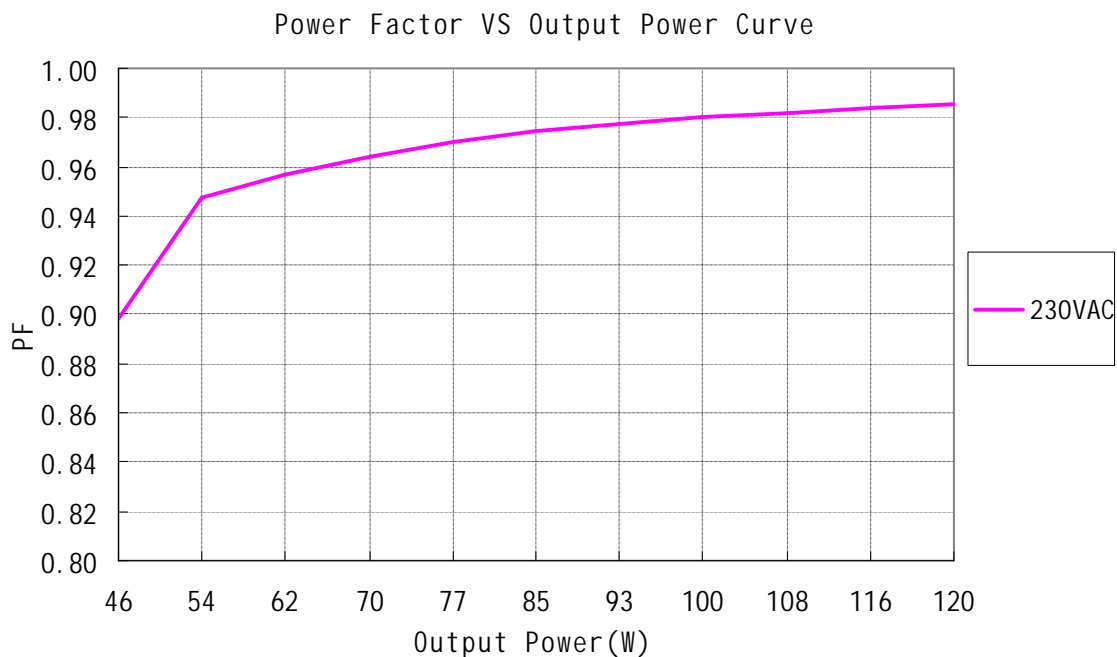
When the temperature of power supply enclosure is over $85^{\circ}C$, the output of power supply shall decrease. Output current is limited in 30% (typ.) . meet the demand of double 85, at the maximum operation temperature $125^{\circ}C$, operate two hours and do not damage.

6 Efficiency VS Output Voltage Curve

$V_{in}=230Vac$ $T_a=25^{\circ}C$



7 Power Factor VS Load Power Curve



8 Safety And Electromagnetic Compatibility

8.1 Safety Standards

Safety Certification	Country and region	Standards	Whether have Certification
CCC	China	GB19510.1	√
		GB19510.14	
CE	Europe	EN61347-1	√
		EN61347-2-13	
CB	CB member	IEC61347-1	√
		IEC61347-2-13	
UL	America	UL 8750	
		UL 1310 (Class 2 Power Units)	
		UL 1012	
CUL	Canada	CSA C22.2 No.107.1-01	
		CSA C22.2 No.223-M91 (Power Supplies With Extra-Low-Voltage Class 2 Outputs)	
KC	Korea	K61347-1	
		K61347-2-13	
		K62384	
PSE	Japan	J61347-1	
		J61347-2-13	
SAA	Australia	IEC 61347-2-13	
		AS/NZS 61347.1	

8.2 Electromagnetic Compatibility Standards

EMC Certification	Country and region	Standards	Whether have Certification
CCC	China	GB 17743	√
		GB 17625.1	
CE	America Europe	EN 55015 CLASSB(input 230Vac)	√
		IEC 61000-3-2	
		IEC 61000-3-3	
		IEC 61547	
KC	Korea	K61547	
		K00015	
PSE	Japan	J55015	
FCC	America	FCC part 15	

9 Details Of Safety Specifications

9.1 Dielectric Strength

9.1.1 input to output : 3750Vac, 60s, current is less than 10mA;

9.1.2 input to FG: 1600Vac, 60s, current is less than 10mA;

9.1.3 output to FG: 1600Vac, 60s, current is less than 10mA.

Note: 25°C±10°C ambient temperature, I/P: L,N Line; O/P: Vo+, Vo-.

9.2 Grounding Resistance

Under 25°C±10°C ambient temperature, pass 25A current for 60s, the measured grounding resistance is less than 0.1Ω.

9.3 Leakage Current

Leakage Current is defined as the current flowing through the ground wire. Under 25°C±10°C ambient temperature and 230Vac/50Hz input, the leakage current shall be less than 0.75mA.

9.4 Insulation Resistance

Under 25°C±10°C ambient temperature and less than 70% relative humidity, apply 500V dc voltage to each port of Input to output, input to GND, output to GND and last 60s, the insulation resistance at least 50MΩ.

9.5 Surge Immunity Test

Under 25°C±10°C ambient temperature, L line to N line is 4000V, L line to earth is 6000V, N line to earth is 6000V.

Estimate of test result is depending on GB/T 17626.5-2008/IEC 61000-4-5:2005: temporary loss of function or temporary degradation of performance not requiring an operator.

10 Environmental Specifications**10.1 Operated Temperature And Humidity**

10.1.1 Temperature: -40°C to +60°C;

10.1.2 Relative Humidity: 20% to 95%, non-condensing.

10.2 Storage Temperature And Humidity

10.2.1 Temperature: -40°C to +85°C

10.2.2 Relative Humidity: 20% to 95%, non-condensing.

10.3 Degrees of Protection

IP67

11 Reliability**11.1 Mean Time Between Failure (MTBF) Qualification (According as MIL-HDBK-217F Standards)**

Mean time between failure is at least 200,000 hours under 25°C ambient temperature, 230Vac input, and 80% load.

11.2 Life Time Qualification

The life time is at least 50,000 hours, under 45°C case temperature, 230Vac input, and 80% load.

11.3 Maximum Case Temperature T_c

Under 60°C ambient temperature, 180Vac input and maximum load, the maximum case temperature is 85°C.

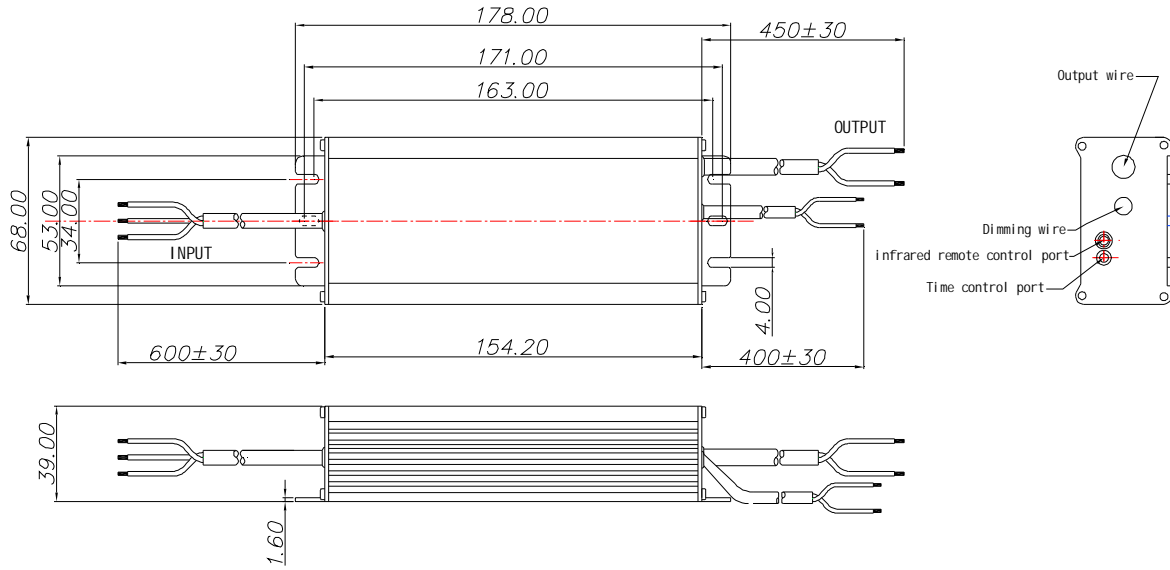
11.4 Vibration

10 to 500HZ Sweep at constant acceleration of 1.0G (depth: 3.5mm) for 1 Hour for each of the perpendicular axes X, Y, Z.

11.5 Drop Test

Ten times 60cm drop test with one angle three edges and six face of complete package, package shall not damage, product function and dielectric strength should meet the requirement.

12 Mechanical Outline Drawing



Note: Model LDP-120R062 no dimming wire.

13 Label

149.00 mm

51.00 mm

Input

L Brown

G Y/G

N Blue

MOSO[®] LDP-120M062

Constant current type

U_{out}(No Load) : 80V \pm 5%

Input	200-277V \sim 50/60Hz, 1.0A Max.
Output	Output voltage: 20-80V \pm 5% Inrush 0.9A Max. Rated 1.0A Max.

MADE IN CHINA
For LED module only

CE

IP67

Control signal
(0-10Vdc, PWM & Resistor)

Dimming Range 10% 100%

File No. 700.d00001 reserved

150602W048A0001

Output

Brown +

Blue -

White 0V

Black DIM

150602 W048 A 0001

Y M D CODE LINE NO.

Bar code for 128 format
Date of production need
to be updated

Page 9 of 11

Form No.:FP-10-017 RevA/0

149.00 mm

51.00 mm

MOSO[®] LDP-120R062
Constant current type

Input: L Brown, G Y/G, N Blue

Output: Brown, Blue

U_{out}(No Load): 80V \approx

Input	200-277V \sim 50/60Hz, 1.0A Max.
Output	Output voltage 20-80V \approx , limited to 80-5.0A, Power 120W Max.

CE IP67
t_o: 85°C
t_a: 60°C

Dimming Range 10% 100%

MADE IN CHINA
For LED module only

Moso Power Supply Technology Co., Ltd.
Banghai Industrial Park, Guanshi, Baoan District, Shenzhen City,
Guangdong Province, P.R. China

Barcode: 150602W065A0001

(Infrared Remote Control Port)

15 0602 W065 A 0001
Y M D CODE LINE NO.

Bar code for 128 format
Date of production need
to be updated

14 Weight

750 \pm 50g

