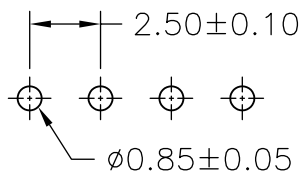
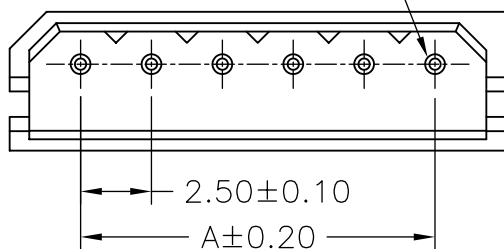
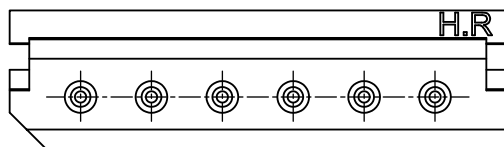
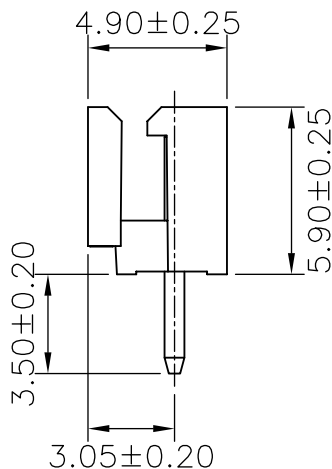
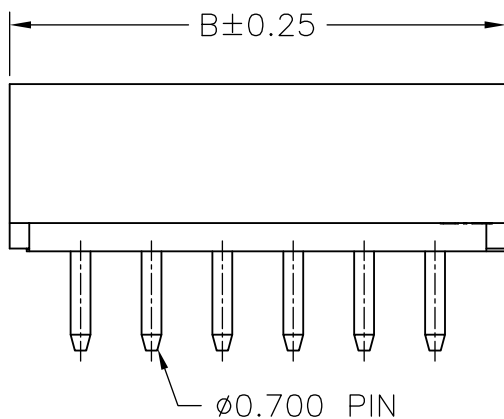
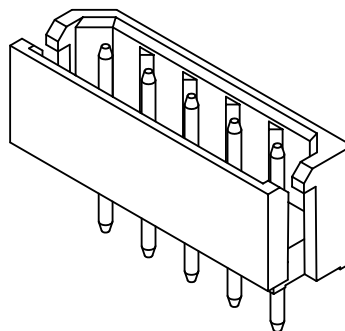




Circuit 1



P.C.B LAYOUT



SPECIFICATIONS

Current Rating: 3A AC,DC
 Voltage Rating: 250V AC,DC
 Temperature Range: -25°C ~ +85°C
 Contact Resistance: 20mΩ Max
 Insulation Resistance: 1000MΩ Min
 Withstanding Voltage: 1000V AC/minute
 Pin Material: Brass/Tin-plated
 Material: Nylon 66,UL94V-0
 Color: Black

Ordering Information & Dimensions

PART NO.	Dimensions	
	A	B
A2506WV-02PNBK	2.50	7.50
A2506WV-03PNBK	5.00	10.00
A2506WV-04PNBK	7.50	12.50
A2506WV-05PNBK	10.00	15.00
A2506WV-06PNBK	12.50	17.50
A2506WV-07PNBK	15.00	20.00
A2506WV-08PNBK	17.50	22.50
A2506WV-09PNBK	20.00	25.00
A2506WV-10PNBK	22.50	27.50
A2506WV-11PNBK	25.00	30.00
A2506WV-12PNBK	27.50	32.50
A2506WV-13PNBK	30.00	35.00
A2506WV-14PNBK	32.50	37.50
A2506WV-15PNBK	35.00	40.00
A2506WV-16PNBK	37.50	42.50

					JOINT TECH ELECTRONIC IND. CO., LTD. JOY DAY INDUSTRIAL CO., LTD.		
			UNIT	SCALE	SHEET	TITLE:	
			mm		1 of 1	2.50mm PITCH 180° WAFER, COLOR: BLACK	
			DRAWN BY	APPROVED BY			
			歐陽小強 2008.09.15	謝瑞清 2008.09.15			
			GENERAL TOLERANCE			DRAW NO. : A2506WV-XPNBK	
			X. X±0.25	ANGLE±			
			X. XX±0.15				
			X. XXX±0.05				
A0	NEW RELEASE	2008.09.15					REV. AO
REV.	DESCRIPTION	DATE					