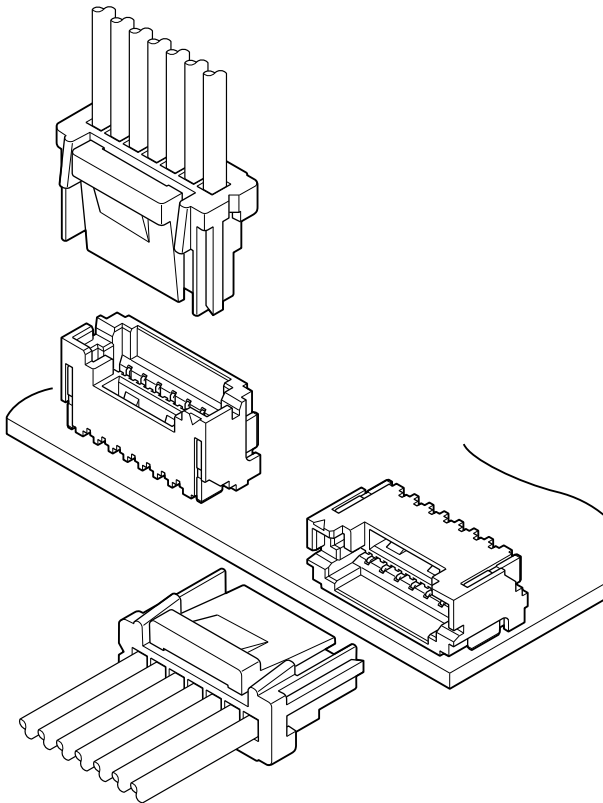


ZE CONNECTOR

1.5 mm pitch/Disconnectable Crimp style connectors



1.5 mm pitch secure lock type connector. Fork-shaped header contact provides the good mating feeling and secure mating operation.

- Secure locking structure
- Contact locking structure

Specifications

- Current rating: 2 A AC/DC (AWG #24)
- Voltage rating: 100 V AC/DC
- Temperature range: -25°C to +85°C
(including temperature rise in applying electrical current)
- Contact resistance: Initial value/ 20 mΩ max.
After environmental tests/ 40 mΩ max.
- Insulation resistance: 500 MΩ min.
- Withstanding voltage: 500 VAC/minute
- Applicable wire: Conductor size/ AWG #30 to #24
Insulation O.D./ 0.76 to 1.2 mm

* In using the products, refer to "Handling Precautions for Terminals and Connectors" described on our website (Technical documents of Product information page).

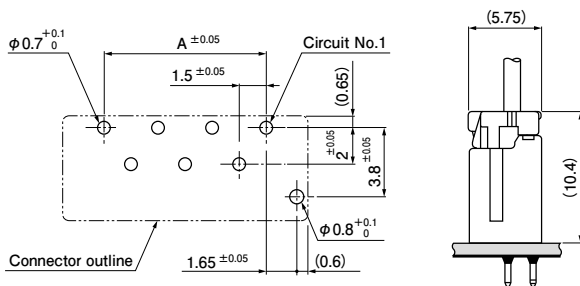
- * RoHS2 compliance
- * Dimensional unit: mm
- * Contact JST for details.

Standards

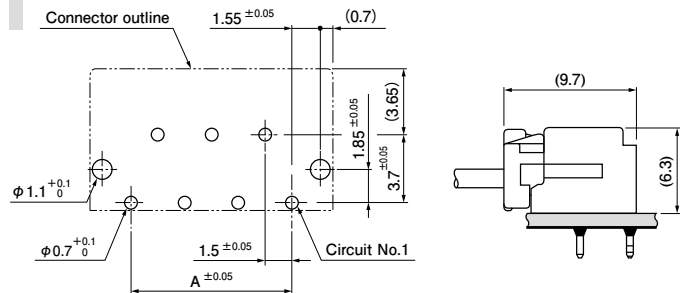
Recognized E60389

PC board layout and Assembly layout

Top entry type



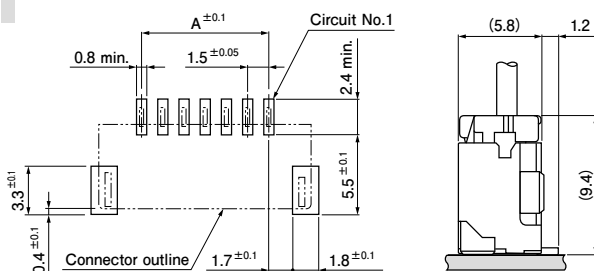
Side entry type



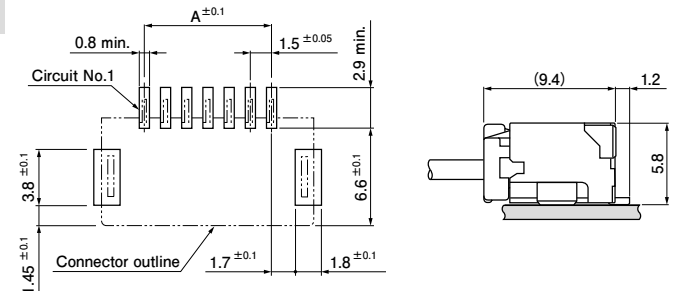
- Note: 1. The above figure is the figure viewed from the connector mounting side.
2. Tolerances are non-cumulative: ± 0.05 mm for all centers.
3. Hole dimensions differ according to the type of PC board and piercing method.
The dimensions above should serve as a guideline. Contact JST for details.

<SMT type>

Top entry type



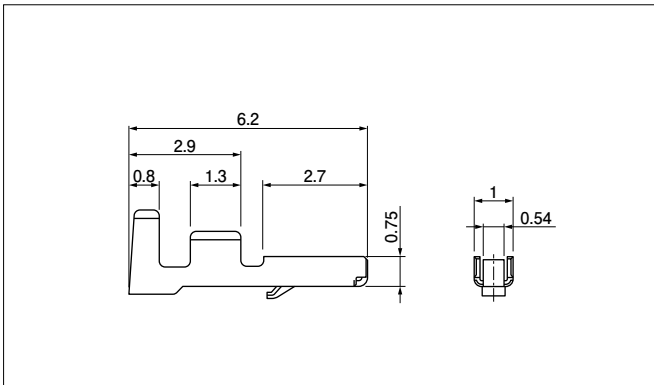
Side entry type



- Note: 1. The above figure is the figure viewed from the connector mounting side.
2. Tolerances for the centers of pattern on PCB is ± 0.05 , and shall be not cumulative more than ± 0.1 .
The dimensions above should serve as a guideline. Contact JST for details.

ZE CONNECTOR

Contact



Model No.	Applicable wire		Insulation O.D. (mm)	Q'ty/reel
	mm ²	AWG #		
SZE-002T-P0.3	0.08 to 0.21	28 to 24	0.76 to 1.2	16,000
SZE-003T-P0.3	0.05 to 0.13	30 to 26	0.76 to 1.0	16,000

Material and Finish

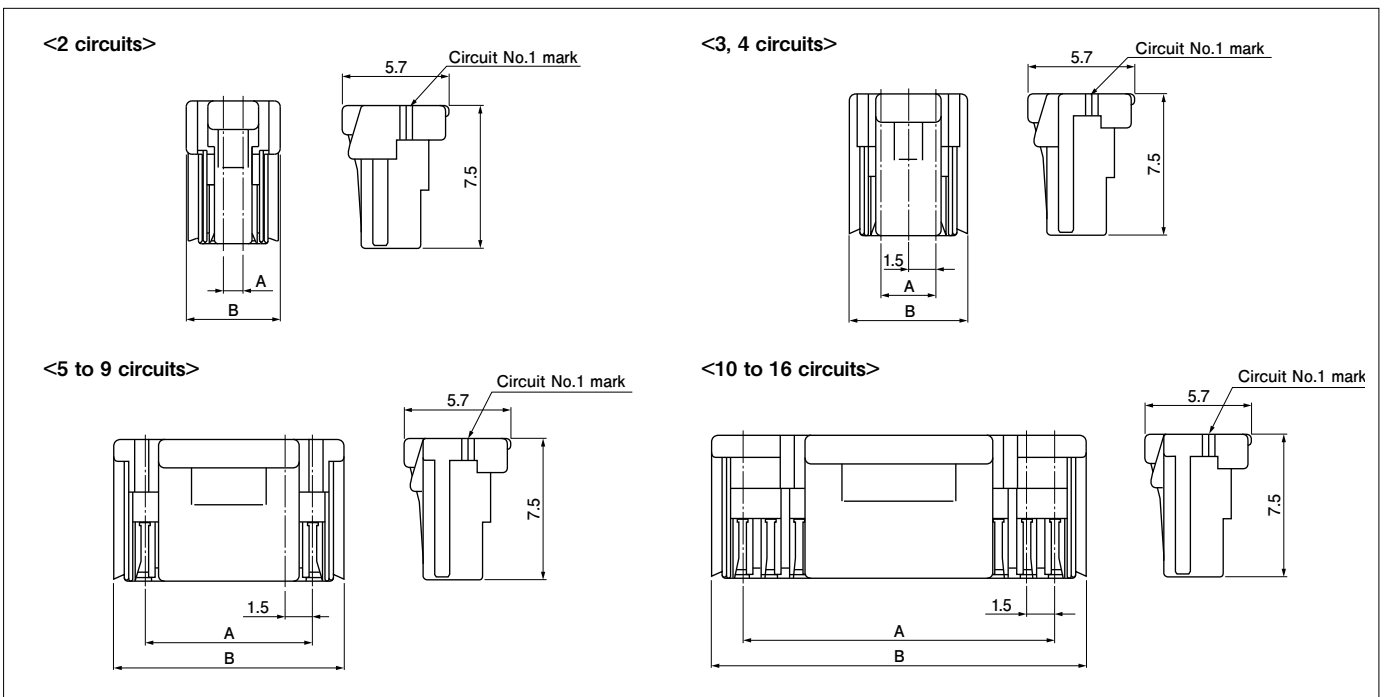
Copper alloy, tin-plated (reflow treatment)

RoHS2 compliance

Contact	Crimping machine	Applicator		
		Crimp applicator	Dies	Crimp applicator with dies
SZE-002T-P0.3	AP-K2N	MKS-L	MK/SZE-002-03	APLMK SZE002-03
SZE-003T-P0.3			MK/SZE-003-03	APLMK SZE003-03

Note: Contact JST for fully automatic crimping applicator.

Housing



No. of circuits	Model No.	Dimensions (mm)		Q'ty/bag
		A	B	
2	ZER-02V-S	1.5	5.0	6,000
3	ZER-03V-S	3.0	6.3	6,000
4	ZER-04V-S	4.5	7.8	5,000
5	ZER-05V-S	6.0	9.3	3,000
6	ZER-06V-S	7.5	10.8	3,000
7	ZER-07V-S	9.0	12.3	2,000
8	ZER-08V-S	10.5	13.8	2,000
9	ZER-09V-S	12.0	15.3	2,000
10	ZER-10V-S	13.5	16.8	2,000
11	ZER-11V-S	15.0	18.3	2,000
12	ZER-12V-S	16.5	19.8	2,000
13	ZER-13V-S	18.0	21.3	2,000
14	ZER-14V-S	19.5	22.8	2,000
15	ZER-15V-S	21.0	24.3	1,500
16	ZER-16V-S	22.5	25.8	1,500

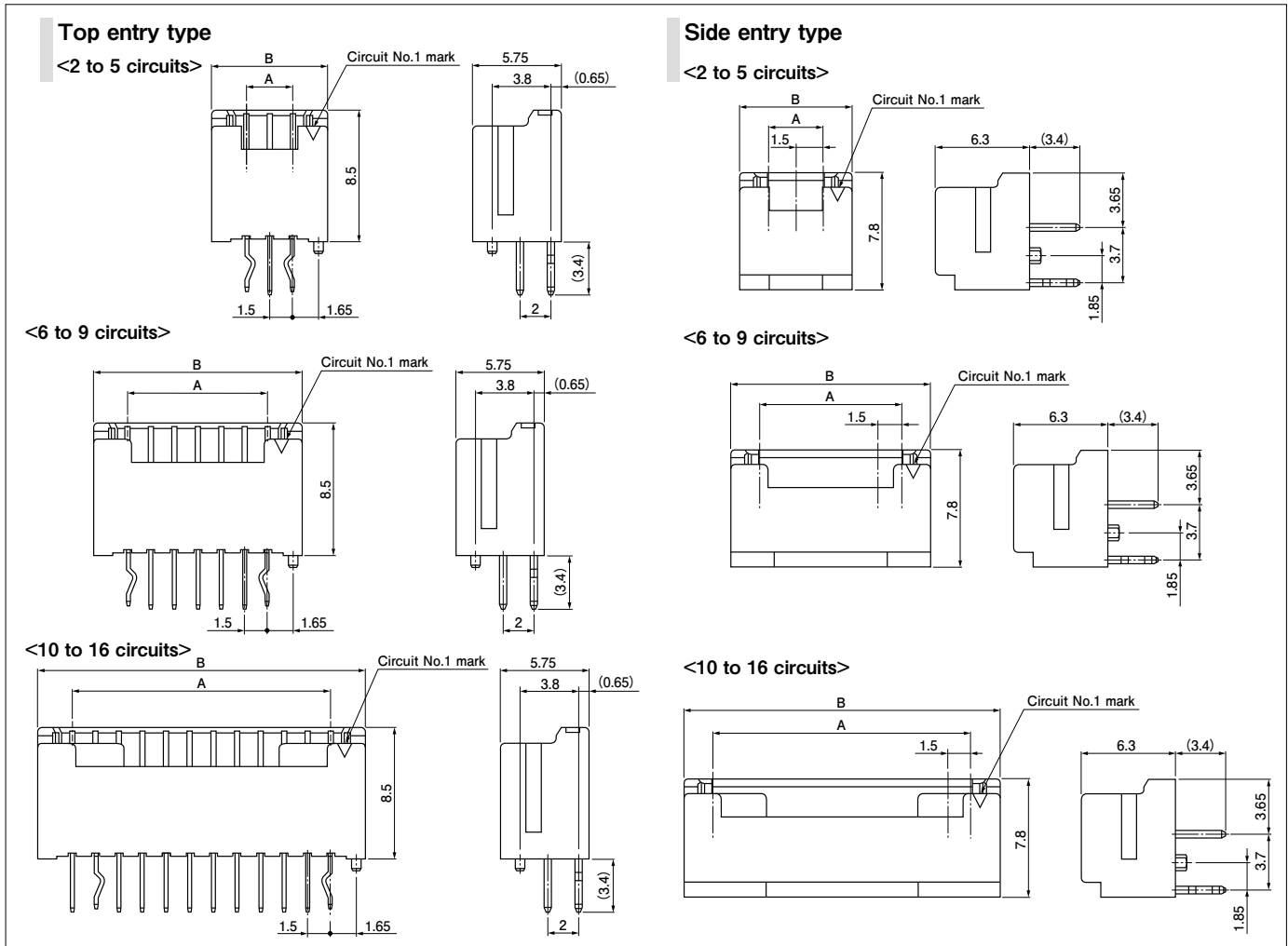
Material and Finish

PBT, UL94V-0, natural

RoHS2 compliance

ZE CONNECTOR

Header (DIP type)



Top entry type

No. of circuits	Model No.		Dimensions (mm)		Q'ty / box
	Without boss	With boss	A	B	
2	—	B02B-ZESK-1D	1.5	6.0	2,496
3	B03B-ZESK-D	B03B-ZESK-1D	3.0	7.5	1,984
4	B04B-ZESK-D	B04B-ZESK-1D	4.5	9.0	1,664
5	B05B-ZESK-D	B05B-ZESK-1D	6.0	10.5	1,408
6	B06B-ZESK-D	B06B-ZESK-1D	7.5	12.0	1,216
7	B07B-ZESK-D	B07B-ZESK-1D	9.0	13.5	1,088
8	B08B-ZESK-D	B08B-ZESK-1D	10.5	15.0	960
9	B09B-ZESK-D	B09B-ZESK-1D	12.0	16.5	896
10	B10B-ZESK-D	B10B-ZESK-1D	13.5	18.0	832
11	B11B-ZESK-D	B11B-ZESK-1D	15.0	19.5	768
12	B12B-ZESK-D	B12B-ZESK-1D	16.5	21.0	704
13	B13B-ZESK-D	B13B-ZESK-1D	18.0	22.5	640
14	B14B-ZESK-D	B14B-ZESK-1D	19.5	24.0	576
15	B15B-ZESK-D	B15B-ZESK-1D	21.0	25.5	576
16	B16B-ZESK-D	B16B-ZESK-1D	22.5	27.0	512

Material and Finish

Contact: Copper alloy, copper-undercoated, tin-plated (reflow treatment)
Wafer: Glass-filled PA 66, UL94V-0, natural

Side entry type

No. of circuits	Model No.		Dimensions (mm)		Q'ty / box
	Without boss	With boss	A	B	
2	—	S02B-ZESK-2D	1.5	6.0	1,872
3	—	S03B-ZESK-2D	3.0	7.5	1,488
4	—	S04B-ZESK-2D	4.5	9.0	1,248
5	—	S05B-ZESK-2D	6.0	10.5	1,056
6	—	S06B-ZESK-2D	7.5	12.0	912
7	—	S07B-ZESK-2D	9.0	13.5	816
8	—	S08B-ZESK-2D	10.5	15.0	720
9	—	S09B-ZESK-2D	12.0	16.5	672
10	—	S10B-ZESK-2D	13.5	18.0	624
11	—	S11B-ZESK-2D	15.0	19.5	576
12	—	S12B-ZESK-2D	16.5	21.0	528
13	—	S13B-ZESK-2D	18.0	22.5	480
14	—	S14B-ZESK-2D	19.5	24.0	432
15	—	S15B-ZESK-2D	21.0	25.5	432
16	—	S16B-ZESK-2D	22.5	27.0	384

Material and Finish

Contact: Copper alloy, copper-undercoated, tin-plated (reflow treatment)
Wafer: Glass-filled PA 66, UL94V-0, natural

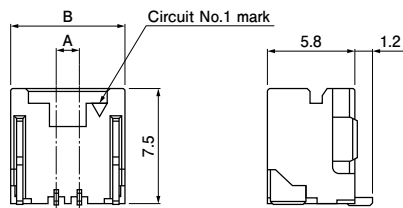
RoHS2 compliance This product displays (LF)(SN) on a label.
Note: Top entry type 2 circuits is only header with boss.

RoHS2 compliance This product displays (LF)(SN) on a label.

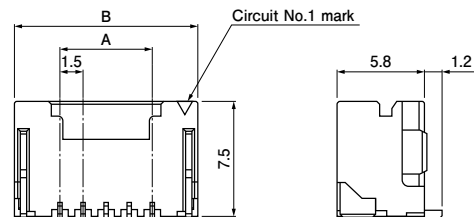
Header (SMT type)

Top entry type

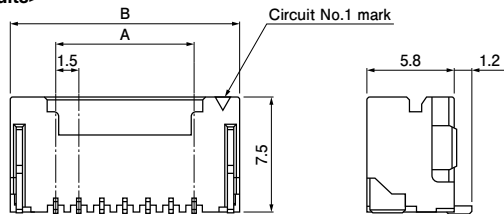
<2 circuits>



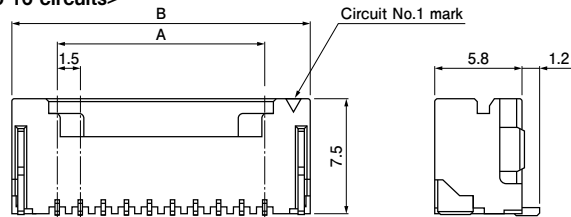
<3 to 5 circuits>



<6 to 9 circuits>

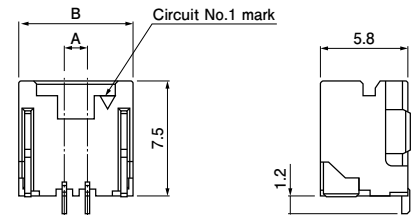


<10 to 16 circuits>

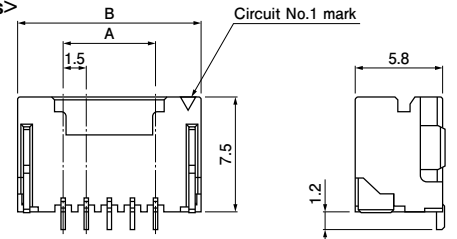


Side entry type

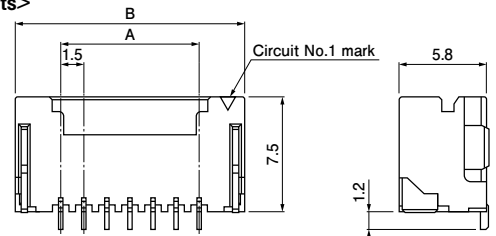
<2 circuits>



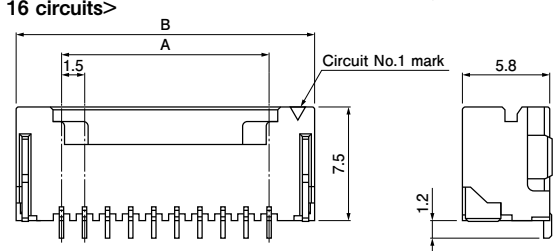
<3 to 5 circuits>



<6 to 9 circuits>



<10 to 16 circuits>



Top entry type

No. of circuits	Model No.	Dimensions (mm)		Q'ty/reel
		A	B	
2	BM02B-ZESS-TBT	1.5	7.5	800
3	BM03B-ZESS-TBT	3.0	9.0	800
4	BM04B-ZESS-TBT	4.5	10.5	800
5	BM05B-ZESS-TBT	6.0	12.0	800
6	BM06B-ZESS-TBT	7.5	13.5	800
7	BM07B-ZESS-TBT	9.0	15.0	800
8	BM08B-ZESS-TBT	10.5	16.5	800
9	BM09B-ZESS-TBT	12.0	18.0	800
10	BM10B-ZESS-TBT	13.5	19.5	800
11	BM11B-ZESS-TBT	15.0	21.0	800
12	BM12B-ZESS-TBT	16.5	22.5	800
13	BM13B-ZESS-TBT	18.0	24.0	800
14	BM14B-ZESS-TBT	19.5	25.5	800
15	BM15B-ZESS-TBT	21.0	27.0	800
16	BM16B-ZESS-TBT	22.5	28.5	800

Material and Finish

Contact: Copper alloy, copper-undercoated, tin-plated (reflow treatment)
 Wafer: Polyamide, UL94V-0, natural
 Reinforcement: Copper alloy, copper-undercoated, tin-plated (reflow treatment)

RoHS2 compliance This product displays (LF)(SN) on a label.
 Note: The products listed above are supplied on embossed-tape/with suction tape.

Side entry type

No. of circuits	Model No.	Dimensions (mm)		Q'ty/reel
		A	B	
2	SM02B-ZESS-TB	1.5	7.5	1,000
3	SM03B-ZESS-TB	3.0	9.0	1,000
4	SM04B-ZESS-TB	4.5	10.5	1,000
5	SM05B-ZESS-TB	6.0	12.0	1,000
6	SM06B-ZESS-TB	7.5	13.5	1,000
7	SM07B-ZESS-TB	9.0	15.0	1,000
8	SM08B-ZESS-TB	10.5	16.5	1,000
9	SM09B-ZESS-TB	12.0	18.0	1,000
10	SM10B-ZESS-TB	13.5	19.5	1,000
11	SM11B-ZESS-TB	15.0	21.0	1,000
12	SM12B-ZESS-TB	16.5	22.5	1,000
13	SM13B-ZESS-TB	18.0	24.0	1,000
14	SM14B-ZESS-TB	19.5	25.5	1,000
15	SM15B-ZESS-TB	21.0	27.0	1,000
16	SM16B-ZESS-TB	22.5	28.5	1,000

Material and Finish

Contact: Copper alloy, copper-undercoated, tin-plated (reflow treatment)
 Wafer: Polyamide, UL94V-0, natural
 Reinforcement: Copper alloy, copper-undercoated, tin-plated (reflow treatment)

RoHS2 compliance This product displays (LF)(SN) on a label.
 Note: The products listed above are supplied on embossed-tape/without suction tape.

ZE CONNECTOR

Model number allocation

Contact

S ZE - 002 T - P 0.3

Form: S...Strip form

Series name

Applicable wire range: 002...AWG #28 to #24
003...AWG #30 to #26

Surface finish: T...Tin-plated (reflow treatment)

Material: P...Phosphor bronze

Terminal size

Housing

ZE R - 02 V - S

Series name

Part name: Socket

No. of circuits: 2 to 16

Flammability: V...UL94V-0

Color: S...Natural, Z...Ivory, E...Blue, TR...Tomato red, MG...Moss green, DH...Dark gray, DPK...Dark pink, L...Lemon yellow, LE...Light blue, DO...Dark orange, DP...Dark purple, K...Black, R...Red, M...Green, Y...Yellow, N...Brown, P...Purple, FY...Fluorescent yellow, PK...Pink, O...Orange

Header (DIP type)

B 02 B - ZE S K - D

Shape of assembled product:
B...Top entry type, S...Side entry type

No. of circuits: 2 to 16

Part name: Header

Series name

Color: S...Natural, Z...Ivory, E...Blue, TR...Tomato red, MG...Moss green, DH...Dark gray, DPK...Dark pink, L...Lemon yellow, LE...Light blue, DO...Dark orange, K...Black, R...Red, M...Green, Y...Yellow, N...Brown, P...Purple, FY...Fluorescent yellow, PK...Pink, O...Orange

Indication of clinch: K...Clinched, S...Straight pin

Shape: Top entry type/1...With boss, None...Without boss
(Only top entry type 2-circuit is a product with boss.)
: Side entry type/2...With boss

Sub model number: D...Normal type, None...Colored product

Header (SMT type)

BM 02 B - ZE S S - TB T

Shape of assembled product:
BM...Top entry type
SM...Side entry type

No. of circuits: 2 to 16

Part name: Header

Series name

Color: S...Natural, Z...Ivory, E...Blue, TR...Tomato red, MG...Moss green, DH...Dark gray, DPK...Dark pink, L...Lemon yellow, LE...Light blue, DO...Dark orange, DP...Dark purple

Indication of clinch: S...Straight pin

Packaging style: TB...Embossed-taping

Suction tape: None...Without suction tape, T...With suction tape

Model number "BM" (Top entry type) has suction tape, and "T" is given to the end of model number.
Model number "SM" (Side entry type) has no suction tape, and "T" is not given to the end of model number.