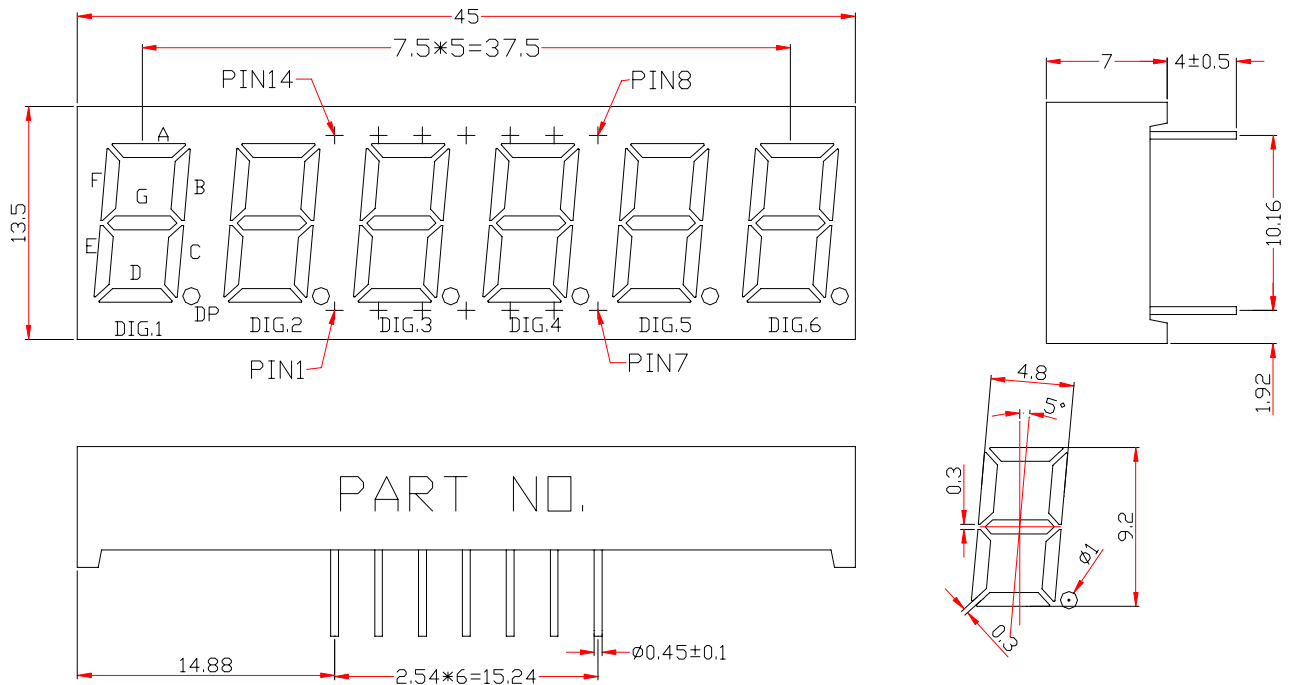


WCN6-0036PG-C11**SPECIFICATION**

WCN			CUSTOMER
Prepared by	Checked by	Approved by	Confirmed
Fei 2014-11-12	Athena		

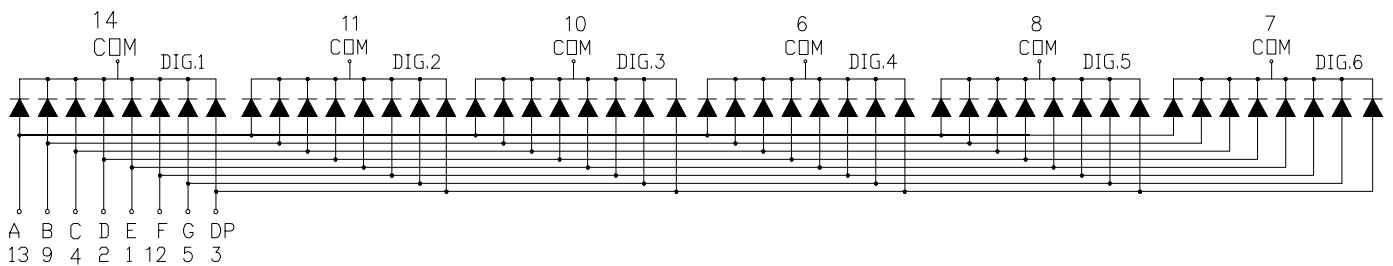
**REVISION: A0**

Outer Dimension:



Notes: Unless otherwise stated, The tolerance is ± 0.25 mm.

Circuit Diagram



Pin Connection:

PIN NO.	CONNECTION	PIN NO.	CONNECTION
1	Anode E	8	Common DIG.5
2	Cathode D	9	Anode B
3	Anode DP	10	Common DIG.3
4	Anode C	11	Common DIG.2
5	Anode G	12	Anode F
6	Common DIG.4	13	Anode A
7	Common DIG.6	14	Common DIG.1

■ **Features:**

- High Reliability
- Color: Pure Green
- Low Power Requirement
- Easy Assembly

■ **Description:**

- Six Digit LED Display
- Digit Height: 9.2mm(0.36")
- Black Face and Milky Segment

■ **Absolute Maximum Rating (Ta=25°C):**

Parameter	Symbol	Condition	Color	Rating	Units
Power Dissipation Per Segment	P_d	—	Pure Green	65	mW
Forward Current Per Segment	I_F	—	Pure Green	25	mA
Derating Of If Per Segment	ΔI_F	$T_a \geq 25^\circ C$	Pure Green	0.30	mA/°C
Peak Forward Current Per Segment	I_{FP}	1/10 Duty 10KHz	Pure Green	100	mA
Reverse Voltage Per Segment	V_R	—	Pure Green	5	V
Operating Temperature Range	T_{opr}	—	—	-35~+85	°C
Storage Temperature Range	T_{stg}	—	—	-35~+85	°C

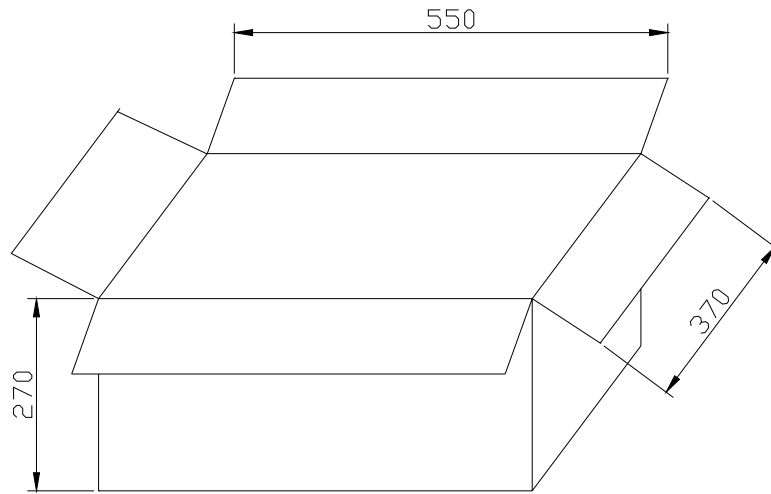
■ **Electrical/Optical Characteristics Rating(Ta=25°C)**

Item	Symbol	Test conditions	Location	Rating			Units
				Min.	Typ.	Max.	
Forward Voltage	V_F	$I_F=20mA$	Per Segment	—	3.0	3.6	V
Reverse Current	I_R	$V_R=5V$	Per Segment	—	—	100	μA
Luminous Intensity	I_V	$I_F=10mA$	Per Segment	58001	72600	—	μcd
Wave Length	λ_P	$I_F=20mA$	Per Segment	—	522.5	—	nm
	λ_D				520		
Spectral Line Half Width	$\Delta \lambda$	$I_F=20mA$	Per Segment	—	20	—	nm
Luminous Intensity Matching Ratio	I_{v-m}	$I_F=10mA$				2:1	

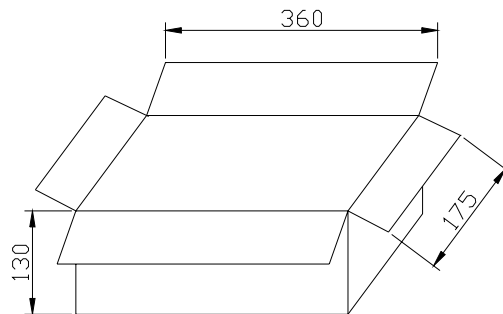
■ **Luminous Intensity Sorting: (Luminous intensity tolerance :+/-10%)**

Rank	Symbol	Condition	Min	Max	Unit
Z1	Z1	$I_F=10mA$	58001	68000	μcd
Z2	Z2	$I_F=10mA$	68001	78500	μcd
Z3	Z3	$I_F=10mA$	78501	91000	μcd

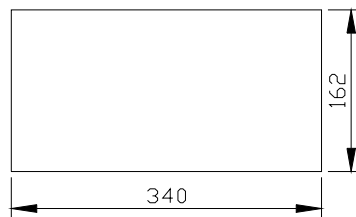
■ **Soldering Conditions: Soldering Temp. $\leq +260^\circ C$ Soldering Time. $\leq 3sec.$
(at 2mm Distance from The Case of Reflector Edge))**

Outer Carton Dimension:

- Note: 1. An Outer carton contained 6 Inner cartons and 3120 PCS products.**
2. Unless otherwise stated, the tolerance is +5mm / -0mm.
3. The carton material is A=B Brown Paper.

Inner Carton Dimension:

- Note: 1. An Inner carton contained 7 PCS Foam Board and 520 PCS products.**
2. Unless otherwise stated, the tolerance is ± 3 mm.

IC Tube Dimension:

- Note: 1. A Steamed Foam contained 75 PCS products.**
2. Unless otherwise stated, the tolerance is ± 2 mm.