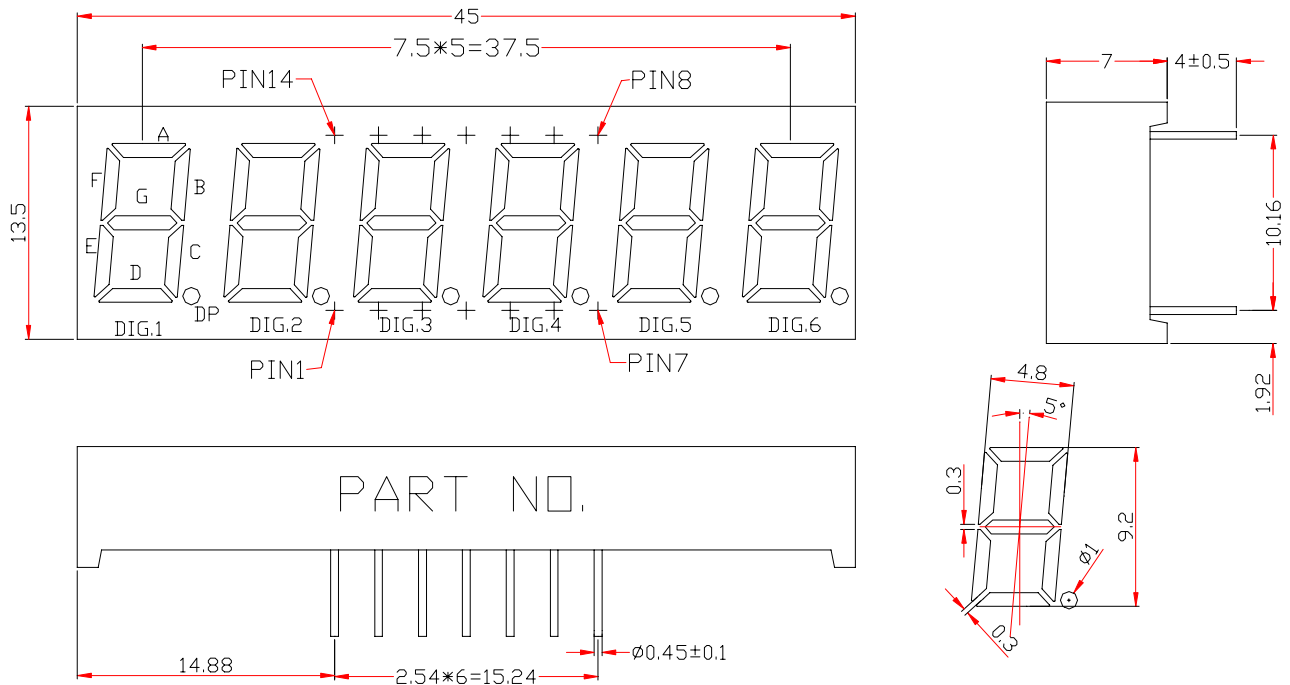


WCN6-0036UY-C11**SPECIFICATION**

WCN			CUSTOMER
Prepared by	Checked by	Approved by	Confirmed
Fei 2014-11-12	Athena		

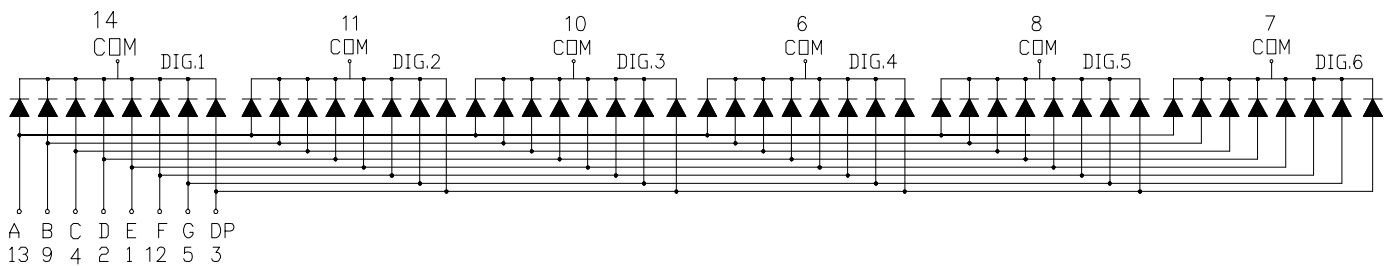
**REVISION: A0**

Outer Dimension:



Notes: Unless otherwise stated, The tolerance is ± 0.25 mm.

Circuit Diagram



Pin Connection:

PIN NO.	CONNECTION	PIN NO.	CONNECTION
1	Anode E	8	Common DIG.5
2	Cathode D	9	Anode B
3	Anode DP	10	Common DIG.3
4	Anode C	11	Common DIG.2
5	Anode G	12	Anode F
6	Common DIG.4	13	Anode A
7	Common DIG.6	14	Common DIG.1

■ **Features:**

- High Reliability
- Color: Super Bright Yellow
- Low Power Requirement
- Easy Assembly

■ **Description:**

- Six Digit LED Display
- Digit Height: 9.2mm(0.36")
- Black Face and Milky Segment

■ **Absolute Maximum Rating (Ta=25°C):**

Parameter	Symbol	Condition	Color	Rating	Units
Power Dissipation Per Segment	P _d	—	Yellow	65	mW
Forward Current Per Segment	I _F	—	Yellow	25	mA
Derating Of I _F Per Segment	ΔI _F	Ta ≥ 25°C	Yellow	0.30	mA/°C
Peak Forward Current Per Segment	I _{FP}	1/10 Duty 10KHz	Yellow	100	mA
Reverse Voltage Per Segment	V _R	—	Yellow	5	V
Operating Temperature Range	T _{opr}	—	—	-35~+85	°C
Storage Temperature Range	T _{stg}	—	—	-35~+85	°C

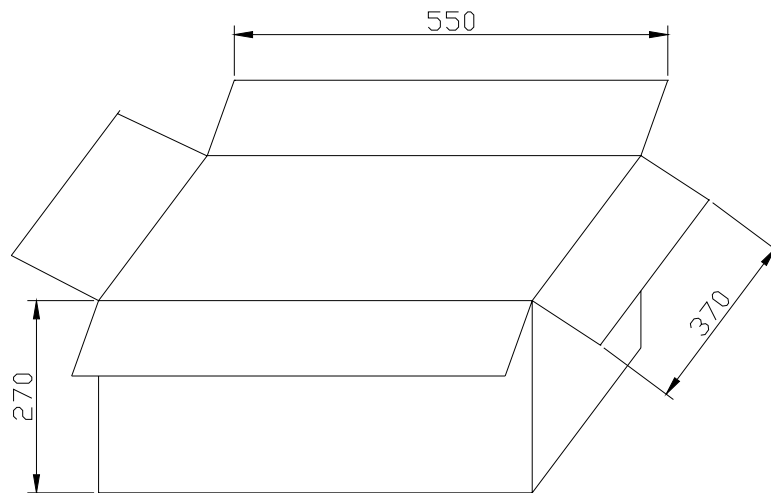
■ **Electrical/Optical Characteristics Rating (Ta=25°C)**

Item	Symbol	Test conditions	Location	Rating			Units
				Min.	Typ.	Max.	
Forward Voltage	V _F	I _F =20mA	Per Segment	—	2.1	2.6	V
Reverse Current	I _R	V _R =5V	Per Segment	—	—	100	μA
Luminous Intensity	I _V	I _F =10mA	Per Segment	8501	12700	—	μcd
Wave Length	λ _P	I _F =20mA	Per Segment	—	590	—	nm
	λ _D				586		
Spectral Line Half Width	Δλ	I _F =20mA	Per Segment	—	20	—	nm
Luminous Intensity Matching Ratio	I _{v-m}	I _F =10mA				2:1	

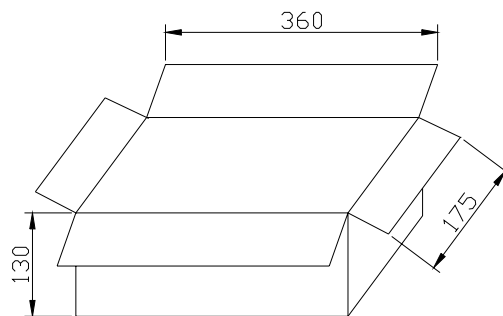
■ **Luminous Intensity Sorting: (Luminous intensity tolerance : +/-10%)**

Rank	Symbol	Condition	Min	Max	Unit
P	P	I _F =10mA	8501	10500	μcd
Q	Q	I _F =10mA	10501	12800	μcd
R	R	I _F =10mA	12801	15250	μcd

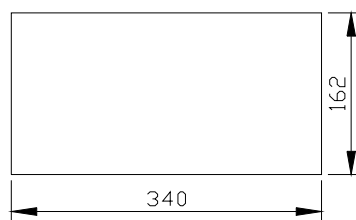
■ **Soldering Conditions: Soldering Temp. ≤ +260°C Soldering Time. ≤ 3sec.**
 (at 2mm Distance from The Case of Reflector Edge)

Outer Carton Dimension:

- Note: 1. An Outer carton contained 6 Inner cartons and 3120 PCS products.**
2. Unless otherwise stated, the tolerance is +5mm / -0mm.
3. The carton material is A=B Brown Paper.

Inner Carton Dimension:

- Note: 1. An Inner carton contained 7 PCS Foam Board and 520 PCS products.**
2. Unless otherwise stated, the tolerance is ± 3 mm.

IC Tube Dimension:

- Note: 1. A Steamed Foam contained 75 PCS products.**
2. Unless otherwise stated, the tolerance is ± 2 mm.