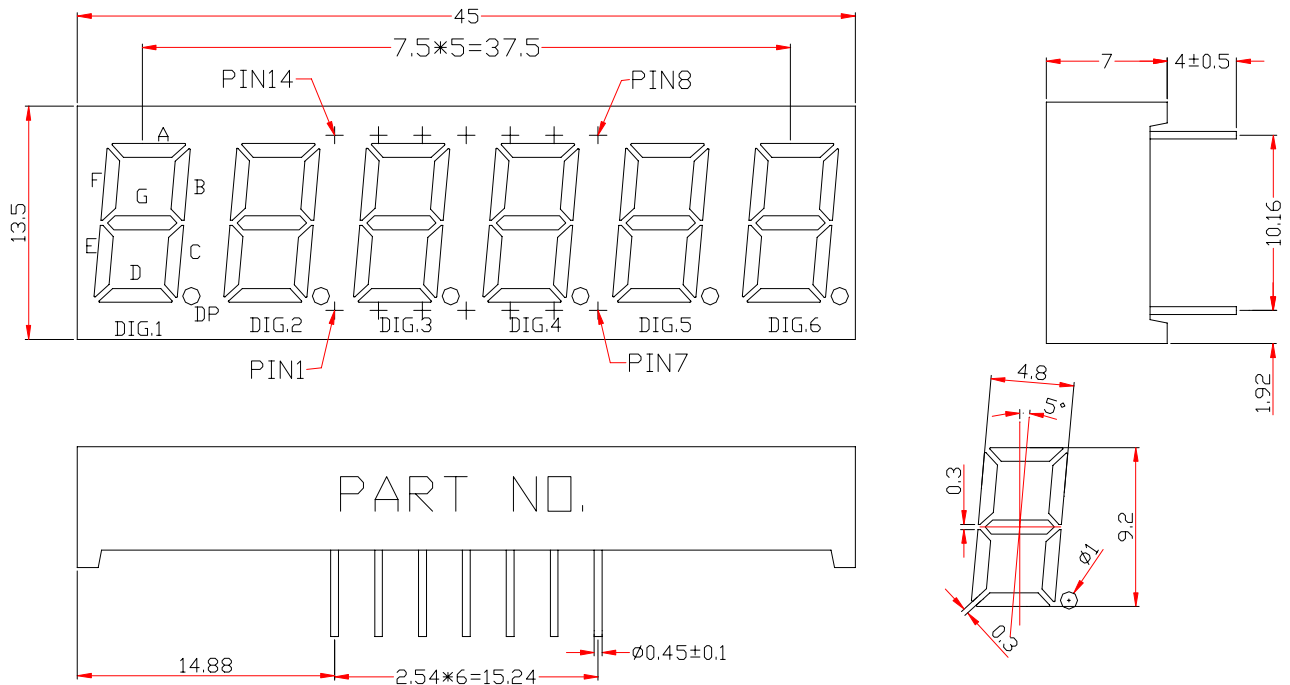


**WCN6-0036R6-C11****SPECIFICATION**

WCN			CUSTOMER
Prepared by	Checked by	Approved by	Confirmed
Fei 2014-11-12	Athena		

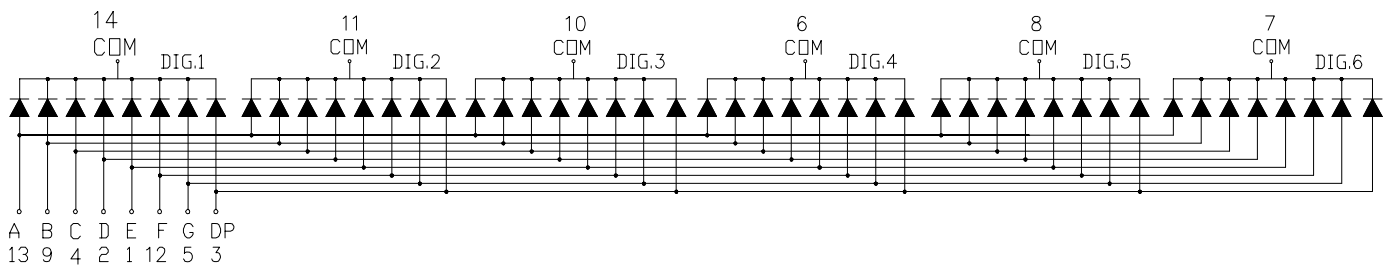
**REVISION: A0**

### Outer Dimension:



Notes: Unless otherwise stated, The tolerance is  $\pm 0.25$ mm.

### Circuit Diagram



### Pin Connection:

PIN NO.	CONNECTION	PIN NO.	CONNECTION
1	Anode E	8	Common DIG.5
2	Cathode D	9	Anode B
3	Anode DP	10	Common DIG.3
4	Anode C	11	Common DIG.2
5	Anode G	12	Anode F
6	Common DIG.4	13	Anode A
7	Common DIG.6	14	Common DIG.1

■ **Features:**

- High Reliability
- Color: Super Bright Red
- Low Power Requirement
- Easy Assembly

■ **Description:**

- Six Digit LED Display
- Digit Height: 9.2mm(0.36" )
- Black Face and Milky Segment

■ **Absolute Maximum Rating (Ta=25°C):**

Parameter	Symbol	Condition	Color	Rating	Units
Power Dissipation Per Segment	P <sub>d</sub>	—	Red	65	mW
Forward Current Per Segment	I <sub>F</sub>	—	Red	25	mA
Derating Of If Per Segment	ΔI <sub>F</sub>	Ta ≥ 25°C	Red	0.30	mA/°C
Peak Forward Current Per Segment	I <sub>FP</sub>	1/10 Duty 10KHz	Red	100	mA
Reverse Voltage Per Segment	V <sub>R</sub>	—	Red	5	V
Operating Temperature Range	T <sub>opr</sub>	—	—	-35~+85	°C
Storage Temperature Range	T <sub>stg</sub>	—	—	-35~+85	°C

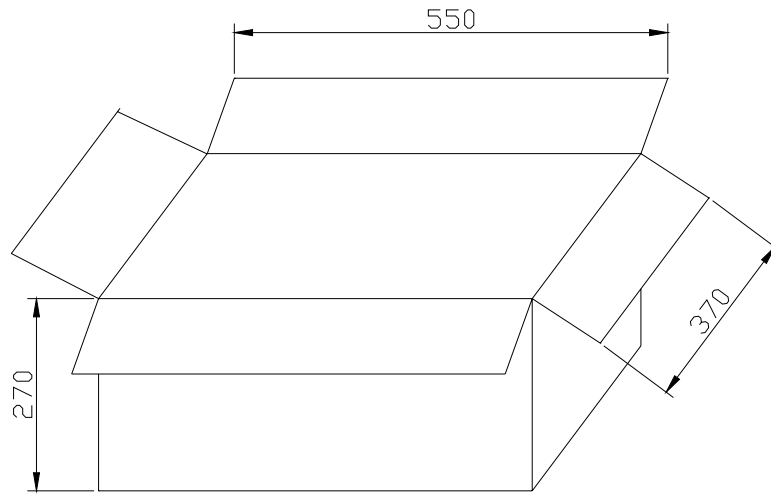
■ **Electrical/Optical Characteristics Rating(Ta=25°C)**

Item	Symbol	Test conditions	Location	Rating			Units
				Min.	Typ.	Max.	
Forward Voltage	V <sub>F</sub>	I <sub>F</sub> =20mA	Per Segment	—	2.00	2.5	V
Reverse Current	I <sub>R</sub>	V <sub>R</sub> =5V	Per Segment	—	—	100	μA
Luminous Intensity	I <sub>V</sub>	I <sub>F</sub> =10mA	Per Segment	7201	9200	—	μcd
Wave Length	λ <sub>P</sub>	I <sub>F</sub> =20mA	Per Segment	—	632	—	nm
	λ <sub>D</sub>				627		
Spectral Line Half Width	Δλ	I <sub>F</sub> =20mA	Per Segment	—	20	—	nm
Luminous Intensity Matching Ratio	I <sub>v-m</sub>	I <sub>F</sub> =10mA				2:1	

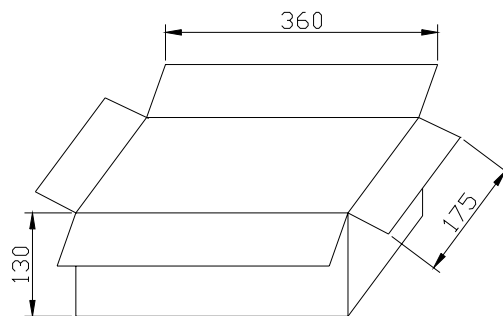
■ **Luminous Intensity Sorting: (Luminous intensity tolerance :+/-10%)**

Rank	Symbol	Condition	Min	Max	Unit
O	O	I <sub>F</sub> =10mA	7201	8500	μcd
P	P	I <sub>F</sub> =10mA	8501	10500	μcd
Q	Q	I <sub>F</sub> =10mA	10501	12800	μcd

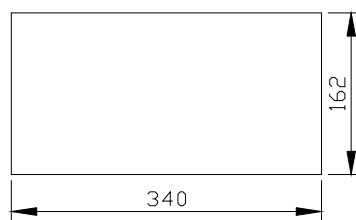
■ **Soldering Conditions: Soldering Temp. ≤+260°C Soldering Time. ≤3sec.**  
 (at 2mm Distance from The Case of Reflector Edge))

**Outer Carton Dimension:**

- Note: 1. An Outer carton contained 6 Inner cartons and 3120 PCS products.**  
**2. Unless otherwise stated, the tolerance is +5mm / -0mm.**  
**3. The carton material is A=B Brown Paper.**

**Inner Carton Dimension:**

- Note: 1. An Inner carton contained 7 PCS Foam Board and 520 PCS products.**  
**2. Unless otherwise stated, the tolerance is  $\pm 3$  mm.**

**IC Tube Dimension:**

- Note: 1. A Steamed Foam contained 75 PCS products.**  
**2. Unless otherwise stated, the tolerance is  $\pm 2$  mm.**