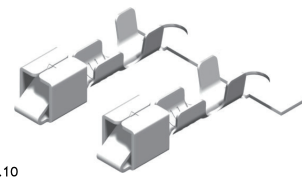
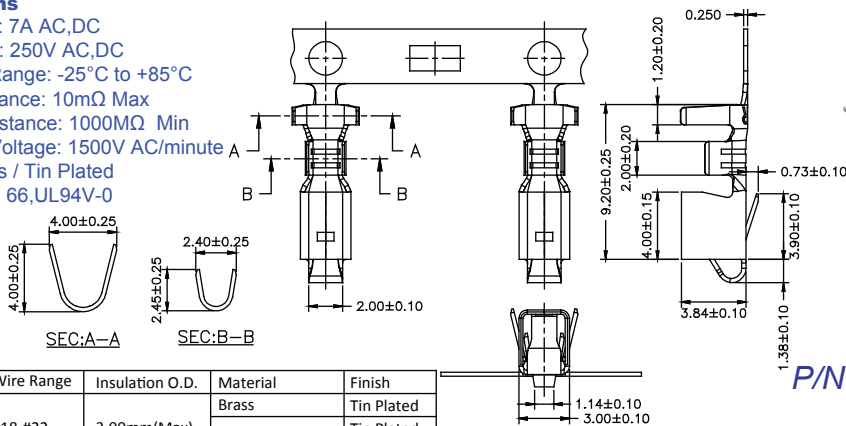




3.96mm Terminal / Housing / Wafer Right Angle & Straight Type

Specifications

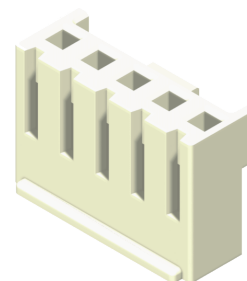
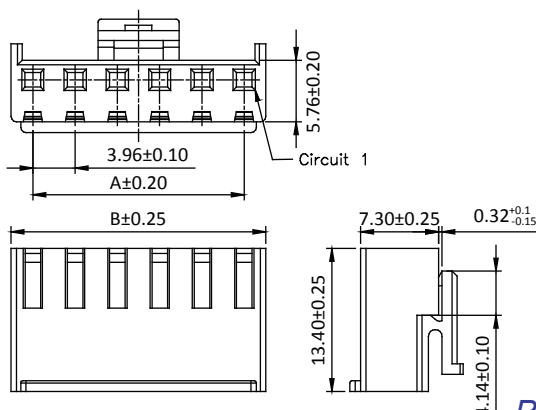
Current Rating: 7A AC,DC
 Voltage Rating: 250V AC,DC
 Temperature Range: -25°C to +85°C
 Contact Resistance: 10mΩ Max
 Insulation Resistance: 1000MΩ Min
 Withstanding Voltage: 1500V AC/minute
 Terminal: Brass / Tin Plated
 Material: Nylon 66,UL94V-0



Part No.	Wire Range	Insulation O.D.	Material	Finish
5T3962N-PT0	#18-#22	3.00mm(Max)	Brass	Tin Plated
5T3962N-PT0			Phosphor Bronze	Tin Plated
5T3962N-BG0				Gold Plated

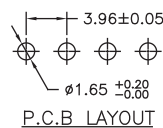
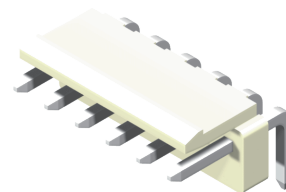
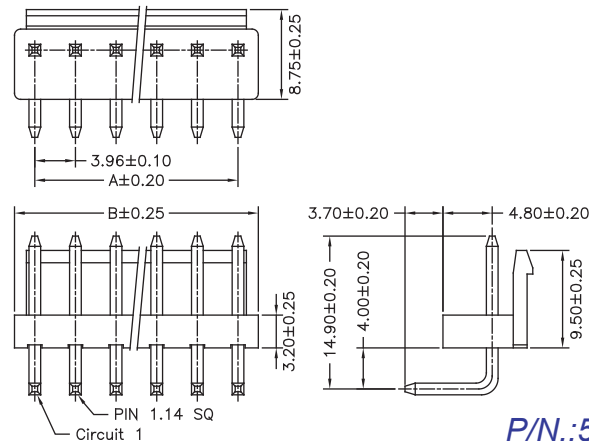
P/N.:5T3962N-PT0R-01
 5T3962N-PG0R-01
 5T3962N-BG0R-01

No. of Contacts	Dimensions	
	A	B
2	3.96	8.02
3	7.92	11.98
4	11.88	15.94
5	15.84	19.90
6	19.80	23.86
7	23.76	27.82
8	27.72	31.78
9	31.68	35.74
10	35.64	39.70
11	39.60	43.66
12	43.56	47.62
13	47.52	51.58
14	51.48	55.54
15	55.44	59.50

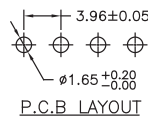
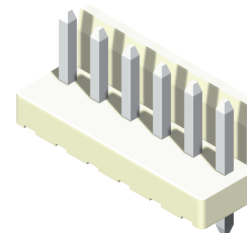
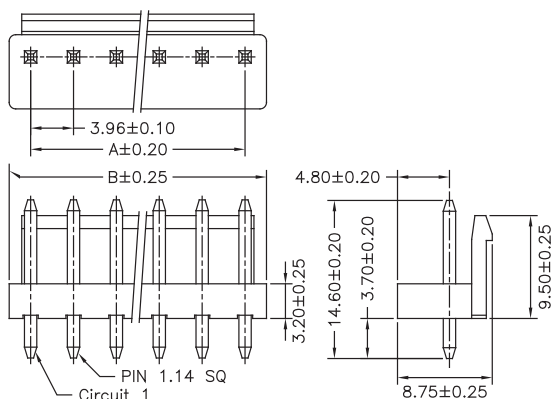


P/N.:5H3962N0-1XXWBL00-01

No. of Contacts	Dimensions	
	A	B
2	3.96	7.92
3	7.92	11.88
4	11.88	15.84
5	15.84	19.80
6	19.80	23.76
7	23.76	27.72
8	27.72	31.68
9	31.68	35.64
10	35.64	39.60
11	39.60	43.56
12	43.56	47.52
13	47.52	51.48
14	51.48	55.44
15	55.44	59.40



P/N.:5W3962R0-1XXT0WBL-01



P/N.:5W3962S0-1XXT0WBL-01

Housing Wafer Terminal



ROHS