

## PRODUCT SPECIFICATION

### Model No.: FYL-5012KUBC1C

Descriptions:
■ Dice material: InGaN.
■ Emitting Color: Super bright Blue.
■ Device Outline: Φ5mm round type.
■ Lens Type: Water clear.



CUSTOMER APPROVED SIGNATURES	APPROVED BY	SALES BY	PREPARED BY
		<div style="border: 1px solid red; padding: 5px; display: inline-block;"> Foryard S011 2018.06.27 </div>	<div style="border: 1px solid red; border-radius: 50%; padding: 10px; display: inline-block;"> Foryard E001 2018.06.27 </div>

**NINGBO FORYARD OPTOELECTRONICS CO.,LTD.**

**Add:**NO.115 Qixin Road Ningbo Zhejiang China

**Zip:**315051

**Tel:** 0086-574-87933652 87927870 87922206

**Fax:** 0086-574-87927917

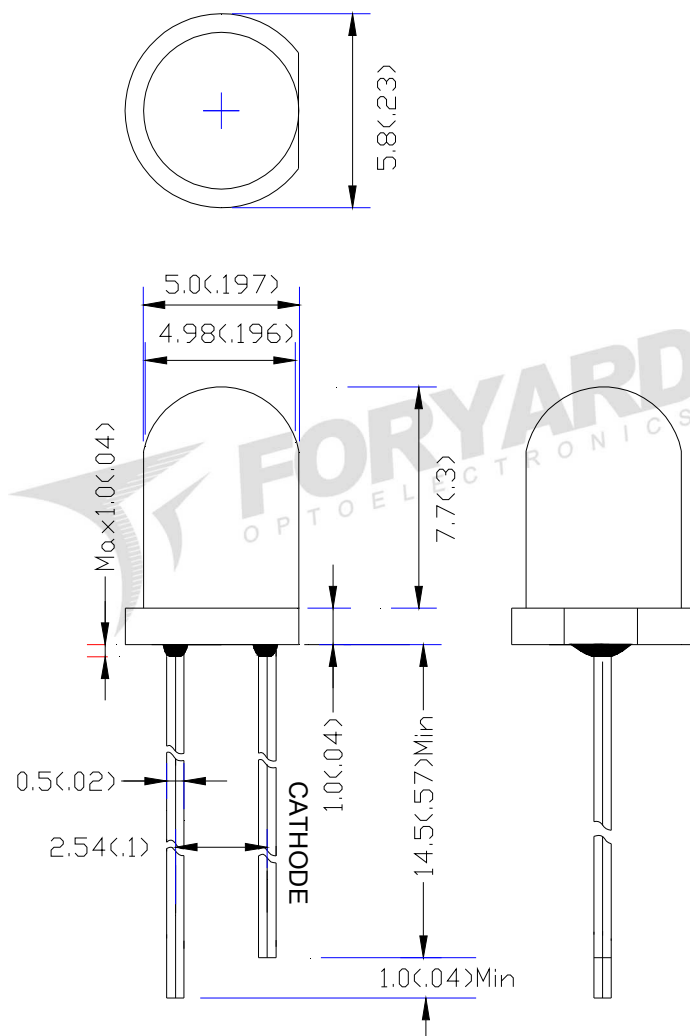
**E-mail:** Sales@foryard.com (General)

[Http://www.foryard.com](http://www.foryard.com)

## ■ Features

1. Low power consumption.
2. High efficiency.
3. General purpose leads.
4. High intensity.
5. RoHs compliant.

## ■ Package configuration



### Notes:

1. All dimensions are millimeters (inches)
2. Tolerance is  $\pm 0.25\text{mm} (.010\text{'})$  unless otherwise noted.
3. The specifications, characteristics and technical data described in the datasheet are subject to change without prior notice.

■ Absolute maximum ratings( $T_a=25^\circ\text{C}$ )

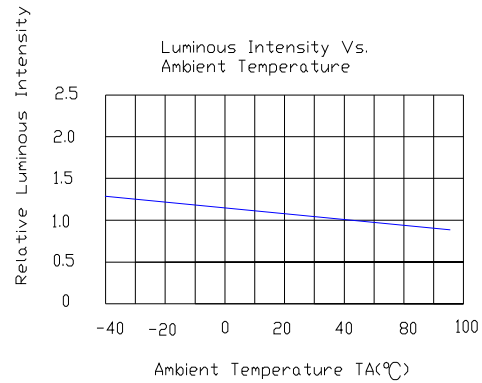
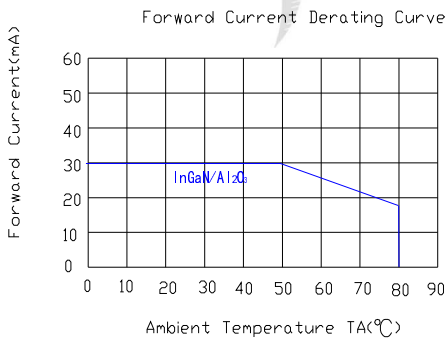
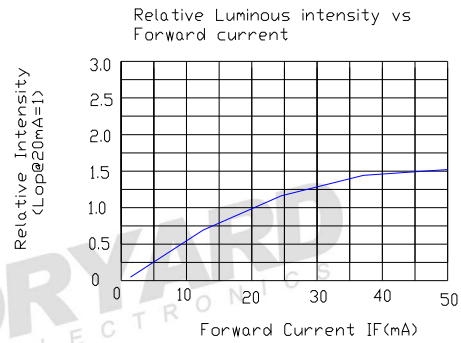
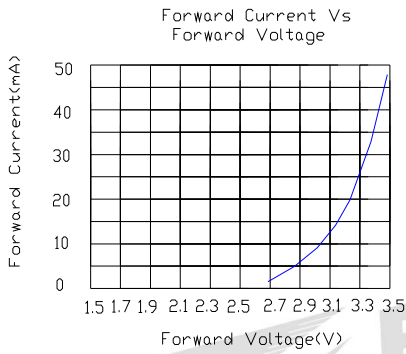
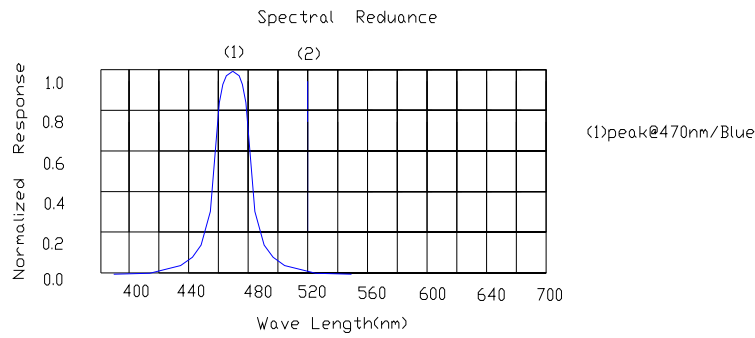
Parameter	MAX.	Unit
Power Dissipation	90	mW
Peak Forward Current (1/10 Duty Cycle, 0.1ms Pulse Width)	100	mA
Continuous Forward Current	25	mA
Derating Linear From $50^\circ\text{C}$	0.4	mA/ $^\circ\text{C}$
Reverse Voltage	5	V
Operating Temperature Range	$-40^\circ\text{C}$ to $+85^\circ\text{C}$	
Storage Temperature Range	$-40^\circ\text{C}$ to $+100^\circ\text{C}$	
Lead Soldering Temperature[4mm(.157") From Body]	260 $^\circ\text{C}$ for 5 Seconds	

■ Electrical and optical characteristics( $T_a=25^\circ\text{C}$ )

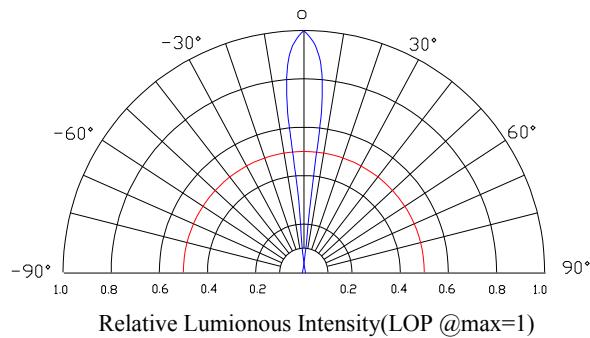
Parameter	Symbol	Min.	Typ.	Max.	Unit	Test Condition
Luminous Intensity	$I_v$	3000	5000	—	mcd	$I_F=20\text{mA}$
Viewing Angle	$2\theta_{1/2}$	—	15	—	Deg	
Peak Emission Wavelength	$\lambda_p$	—	470	—	nm	
Dominant Wavelength	$\lambda_d$	—	465	—	nm	
Spectral Line Half-Width	$\Delta\lambda$	—	30	—	nm	
Forward Voltage	$V_F$	2.8	3.2	3.4	V	$V_R=5\text{V}$
Reverse Current	$I_R$			10	$\mu\text{A}$	

## ■ Typical Electrical Characteristics Curves

(25 °c Ambient Temperature Unless Otherwise Noted)

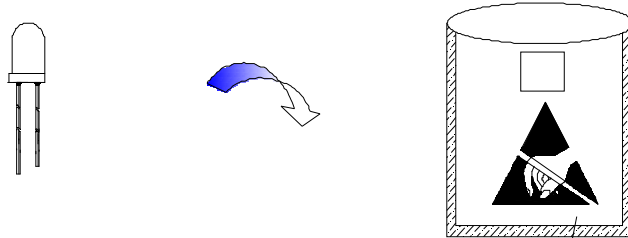


## Radiation pattern.

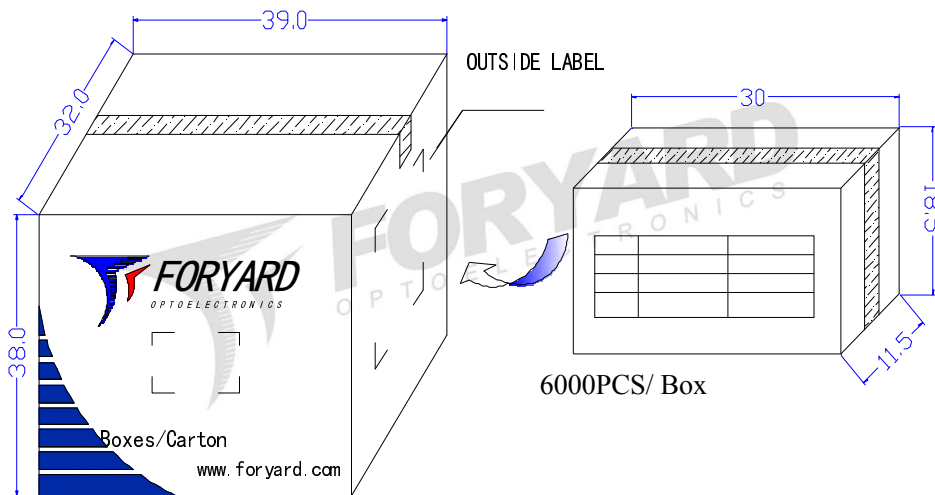
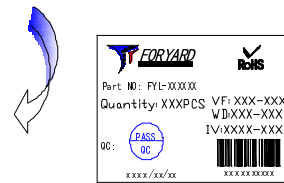


<b>Model No.</b>	FYL-5012KUBC1C
<b>Date / Rev.</b>	2018.06.27 / A

■ LAMP PACKING.



5mm 500PCS/Polybag



36000PCS/ Carton



OUTSIDE LABEL