

Specifications 规格

Material 物料
 Plastic Housing 塑胶外壳: LCP UL94V-0, Black
 Contact Terminal 接触端子: Copper Alloy
 Metallic Shell 金属外壳: Stainless Steel
 SMT Hold-Down 贴片按住: Stainless Steel

Plating 电镀
 Contact Terminal 接触端子部分电镀:
 Underplating 底层电镀: 50μ" Nickel all over
 Contact Area 接触部分: Gold Flash
 Soldering Area 焊接部分: Tin
 SMT Hold-Down 电镀表面贴片按住:
 Underplating 底层电镀: Nickel
 Rear Hold Down (1) 后方按住: Tin
 Front Hold Down (2) 前按住: Gold Flash

Electrical 电气
 Voltage Rating 电压额定值: 100 V DC
 Current Rating 电流额定值: 0.5 A max.
 Contact Resistance 接触电阻值: 100 mΩ max.
 Card Detection Switch
 Contact Resistance 接触电阻值: 500 mΩ max.
 Insulation Resistance 绝缘电阻值: 1000 MΩ max.
 Dielectric Withstanding Voltage 耐电压: 500V AC for 1 min.

Mechanical & Environmental 机械 & 环境
 Operating Temperature 工作温度: -40°C to +85°C
 Durability 耐久性: 5000 Cycles

Recommended PCB Layout

General Tolerance: ±0.05
 Solder Area (hatched) Keep Out Area (cross-hatched) Component Outline (dashed)

Micro SD Card Pin Out		
Pin	Name	Description
P1	DAT2	Data Bit 2
P2	CD/DAT3	Card Detect/Data Bit 3
P3	CMD	Command Line
P4	VDD	Supply Voltage 2.7v/3.6v
P5	CLK	Clock
P6	VSS	Ground
P7	DAT0	Data Bit 0
P8	DAT1	Data Bit 1

Ordering Grid

MEM2067-02-180-00-A Request Samples and Quotation

Switch: 02 = Without Switch Locating Post: 00 = Without Packing Options: A = Tape & Reel
 (Quantity per Reel: 1000 pcs)

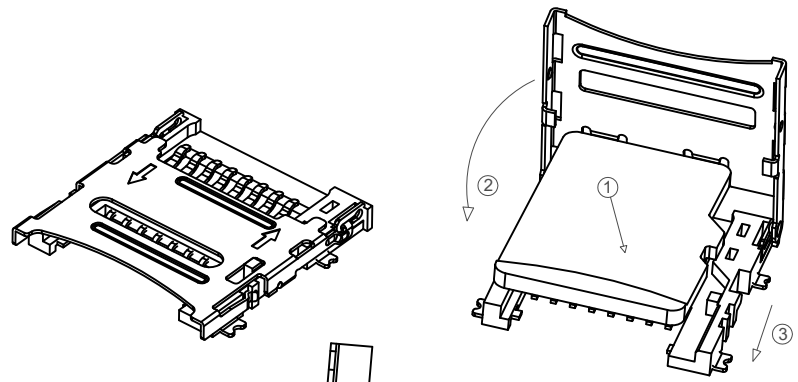
Part Number MEM2067		Product Description Micro SD Memory Card Connector	
Drawing Date 10th January 2014		SMT, Hinged, 1.80mm Profile	
By	CC	Tolerances (Except as Noted)	Units:
Detail	MEM2067 B PCN	Length X. ± 0.35 X.X ± 0.25 X.XX ± 0.15 X.XXX ± 0.10	Metric (mm)
Revision	B1	Angle X." ± 5° X.X" ± 4° X.XX" ± 3° X.XXX" ± 2°	3rd Angle Projection
Date	29/07/16		

GCT
www.gct.co

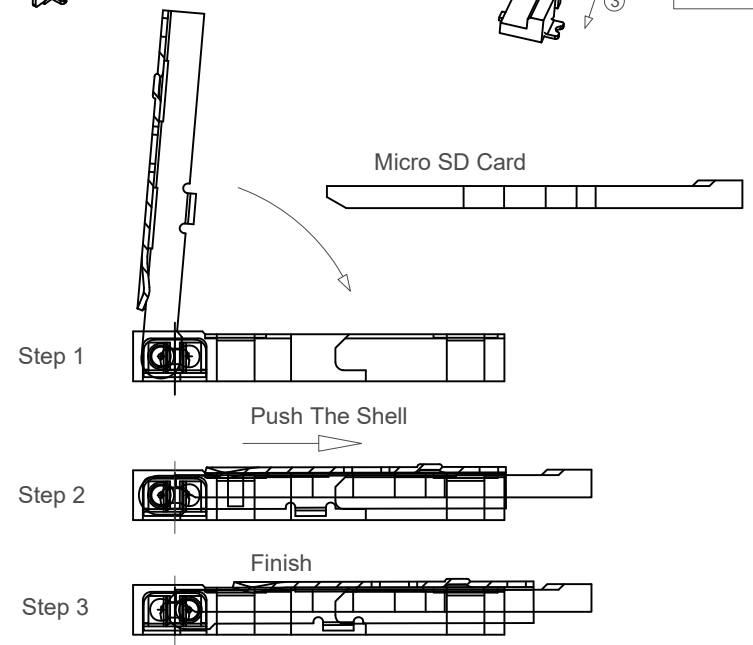
This drawing is confidential and copyright of Global Connector Technology, Ltd (GCT).
 This drawing must not be copied or disclosed without written consent. E & OE

Not to Scale Drawn By AJO Sheet No. 1/3

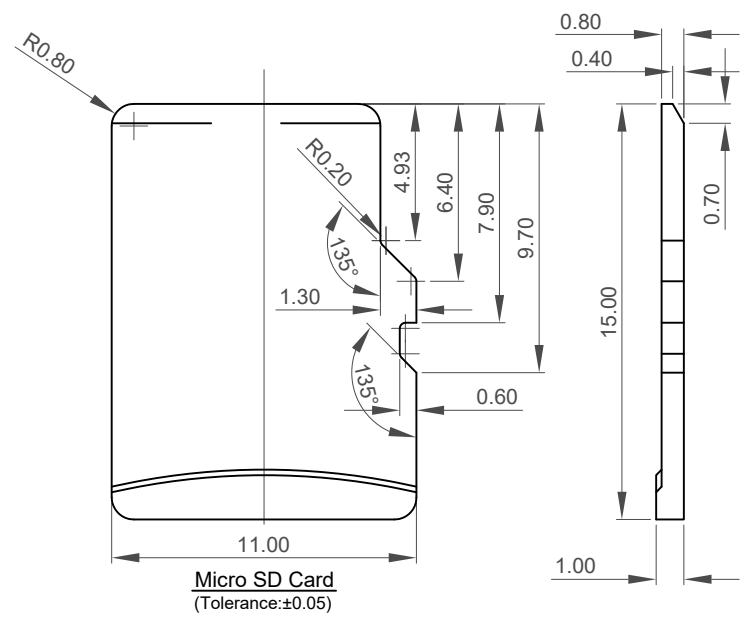
H
G
F
E
D
C
B
A



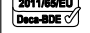



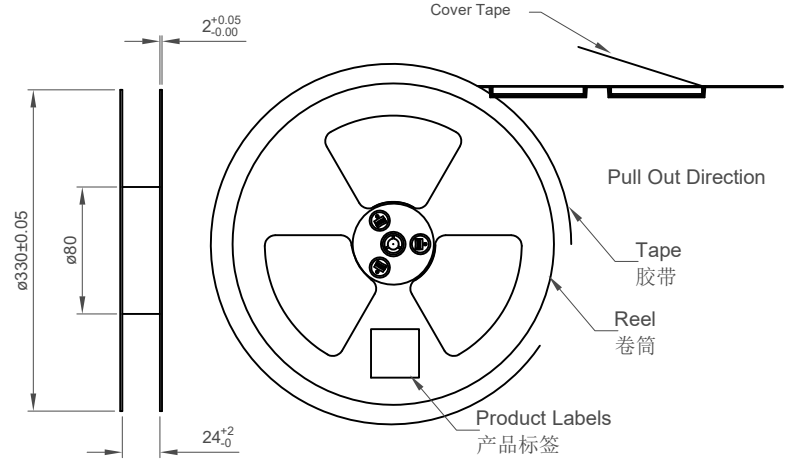
- ① Insert Card
- ② Close Lid
- ③ Slide Lid To Lock



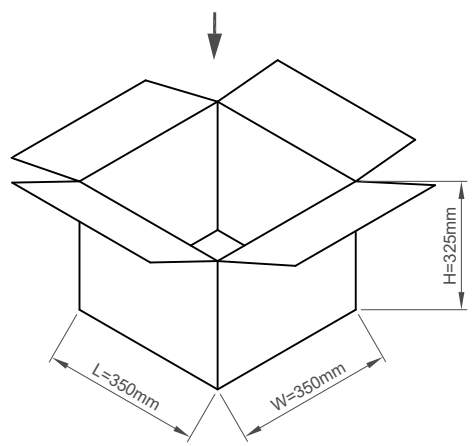
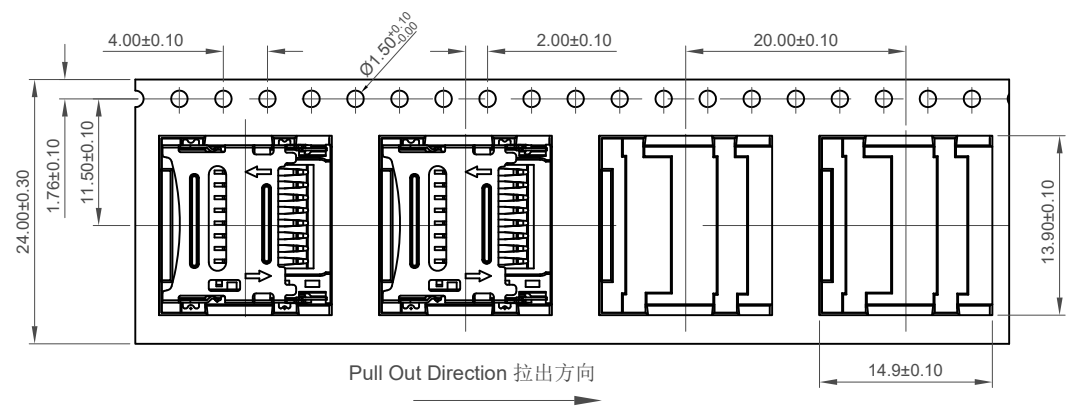
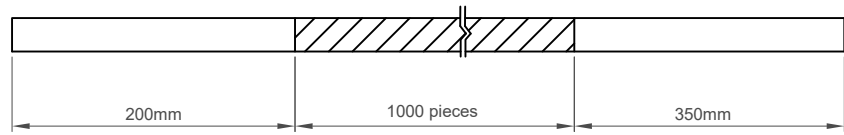
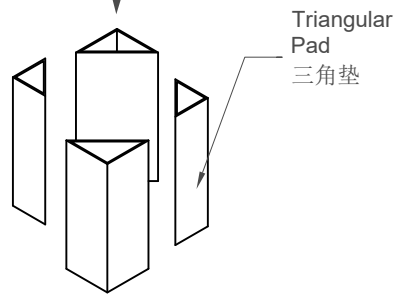
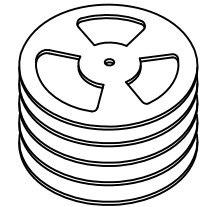
All drawings for illustrative purposes only.
Not representative of actual parts.



Part Number		Product Description		 www.gct.co
MEM2067		Micro SD Memory Card Connector		
Drawing Date		SMT, Hinged, 1.80mm Profile		
10th January 2014				  This drawing is confidential and copyright of Global Connector Technology, Ltd (GCT). This drawing must not be copied or disclosed without written consent. E & OE
By	CC	Tolerances (Except as Noted)	Units:	
Detail	MEM2067 B PCN	Length	Metric (mm)	
Revision	B1	Angle		
Date	29/07/16	X.X ± 0.35 X.XX ± 0.25 X.XXX ± 0.150	X.° ± 1° X.X° ± 0.5° X.XX° ± 0.25°	
		3rd Angle Projection		Not to Scale Drawn By AJO Sheet No. 2/3



Product no.	PCS/Reel	Reels/Carton	PCS/Carton
MEM2067	1000	10	10000



Notes注意:

1. Primary Packing第一重包装: 1K pcs/reel 1000件/卷筒
2. Secondary Packing第二重包装: 10 reel/carton (10K pcs/carton) 10卷筒/纸箱 (10000件/纸箱)
3. Net Weight/carton净重/箱: 9.30Kg
4. Gross Weight/carton毛重/箱: 10.50Kg

Part Number		Product Description	
MEM2067		Micro SD Memory Card Connector	
Drawing Date		SMT, Hinged, 1.80mm Profile	
10th January 2014			
By	CC	Tolerances (Except as Noted)	Units:
Detail	MEM2067 B PCN	Length X. ± 0.35 X.X ± 0.25 X.XX ± 0.15 X.XXX ± 0.10	Metric (mm)
Revision	B1	Angle X.X° ± 5° X.XX° ± 4° X.XX° ± 3° X.XXX° ± 2°	
Date	29/07/16		3rd Angle Projection



This drawing is confidential and copyright of Global Connector Technology, Ltd (GCT). This drawing must not be copied or disclosed without written consent. E & OE

Not to Scale	Drawn By AJO	Sheet No. 3/3
--------------	-----------------	------------------