

REVISION RECORD				
REV	ECN	DESCRIPTION	DRFT	DATE
△		Drawing revise	Haoyh	03/17/06
△		增加VDE标志	LJH	12/25/07
△	11-0288	修改UL认证参数	Golden	11/26/11
△	15-0533	增加连带弹片、变更材质为不锈钢	Song	09/19/15

备注一:

UL 标准

1. 额定电压与电流 : 300V / 7A △
2. 螺丝扭力 : M2, 1.77Lb.in
3. 线径范围 : 24~18AWG

IEC 标准

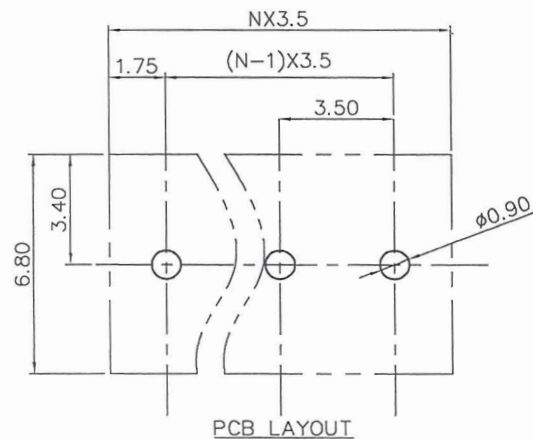
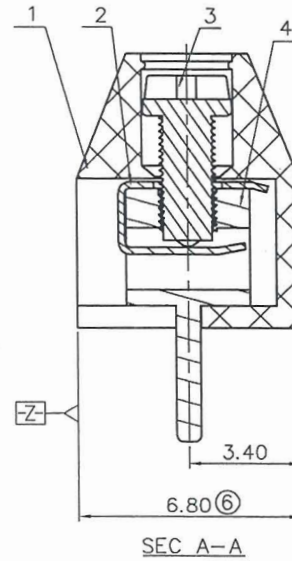
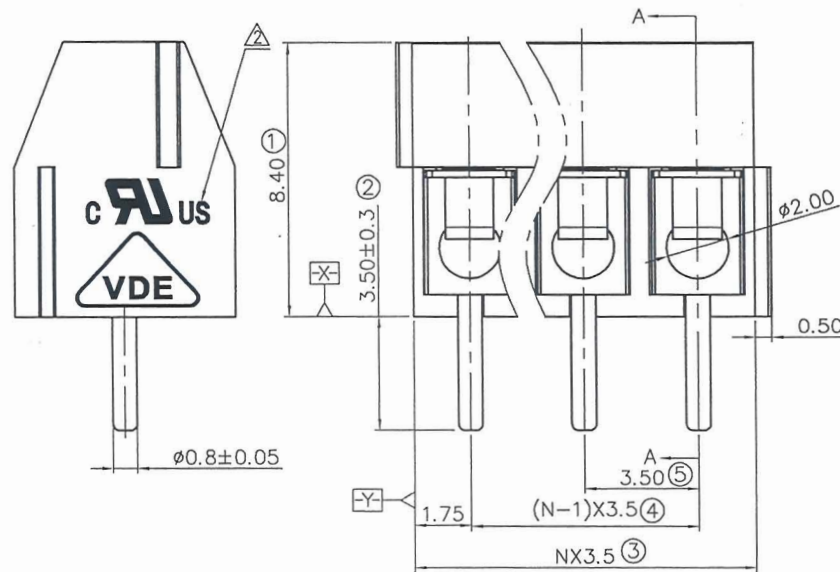
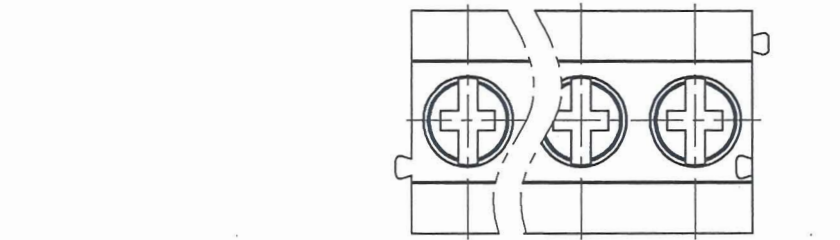
1. 额定电压与电流 : 130V / 10A
2. 螺丝扭力 : M2, 0.2N.m
3. 线径范围 : 0.5~1.0mm<sup>2</sup>

备注二:

1. 尺寸标注符合标准 ASME Y14.5-2009
2. P距 : 3.5mm, P数范围 : N=02~24P
3. 剥线长度 : 5mm
- △ 4. 工频耐压 : AC1250V/1Min.
5. 使用温度范围 : -40°C~+105°C
6. "⊗" 为重点管控尺寸
7. 与-00A区分 : 十一字螺丝
8. 包装规范 : 参考00A
9. 未注公差表:

P距方向公差(mm)	其他尺寸公差(mm)						- / ^ / D		
	≤6	6 ~ 10	10 ~ 24	≤30	30 ~ 60	60 ~ 100		100 ~ 150	>150
	±0.10	±0.15	±0.25	±0.20	±0.30	±0.50	±0.70	±1.00	±1'

10. 须符合RoHS环保要求

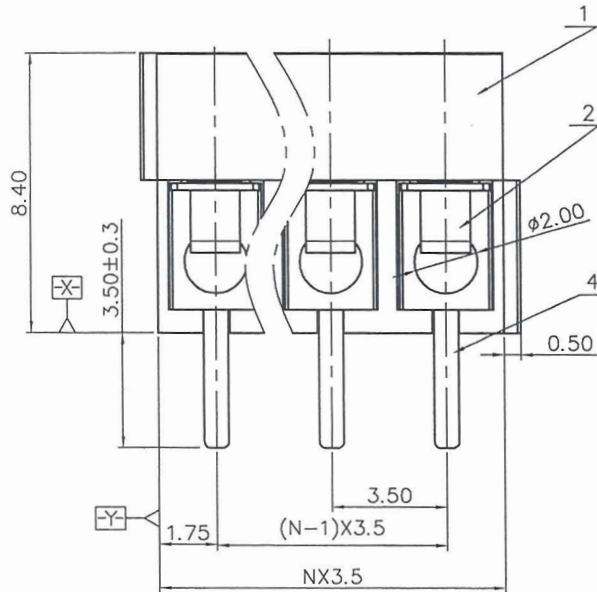
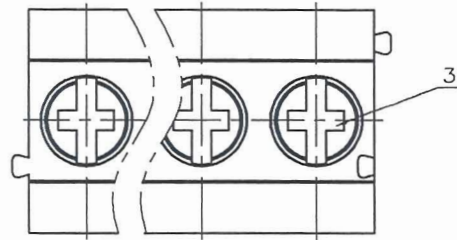


ITEM	NAME OF PART	NO. OF PART	Q'TY	MATERIAL	NOTES
4	DG350(A)方针	4017B00010(H)	N	黄铜	M2/镀锡
3	DG350 M2"+ 螺丝	S000001650(H)	N	钢	M2/镀锌
△ 2	DG350 连带弹片	X000006280(H)	N	不锈钢	
△ 2	DG350 弹片	X000000290(H)	N	不锈钢	
1	DG350-3.5-塑件	4017AYYXXA(H)	1	PA66	UL94V-0

PART NO.:		宁波高松电子有限公司		
APPD: Aaron 2/21/16		DEGSON <sup>®</sup> NINGBO DEGSON ELECTRICAL CO., LTD		
CHKD: Jeff 2/21/16		NAME: DG350-3.5-XXP-1Y-02A(H)		
DRFT: Haoyh 04/18/05		TITLE: ASSEMBLY DRAWING		REV: T4
DRAWING NO.: DG350-3.5-E07		SHEET: 1/1		
THIRD ANGLE PROJECTION		DO NOT SCALE DRAWING		SCALE: 1:1



REVISION RECORD				
REV	ECN	DESCRIPTION	DRFT	DATE



NOTES1:

- UL Standard  
 1. Rated Voltage/Current : 300V / 7A  
 2. Torque Value : M2 , 1.77Lb.in  
 3. Wire Range : 24~18AWG

IEC Standard

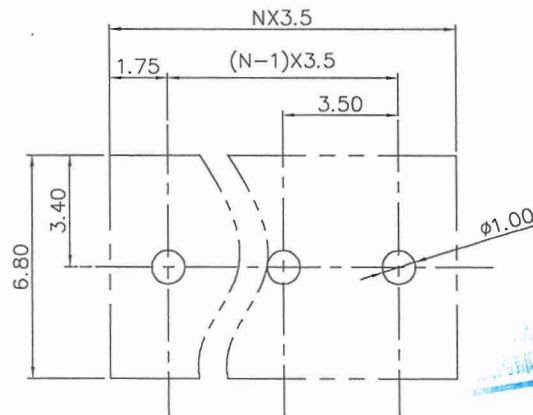
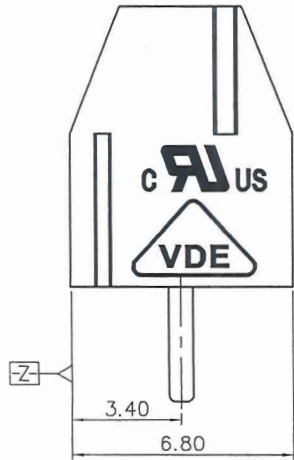
1. Rated Voltage/Current : 130V / 10A  
 2. Torque Value : M2 , 0.2N.m  
 3. Wire Range : 0.5~1.0mm<sup>2</sup>

NOTES2:

1. Dimension shall be interpreted per ASME Y14.5-2009  
 2. Pitch : 3.5mm, Poles : N=02~24P  
 3. Stripping length : 5mm  
 4. Withstanding Voltage : AC1250V/1Min.  
 5. Operating temperature: -40°C~+105°C  
 6. Undimensioned Tolerances:

Pitch Range in mm		Nominal Dimension Range in mm							-	∧	□
TO	Over	Over	TO	Over	Over	Over	Over	0.1/10			
6	6	10	10	30	30	60	100	150			
±0.15	±0.20	±0.30	±0.30	±0.50	±0.70	±1.00	±1.30	±2'			

7. RoHS Compliance



PCB LAYOUT

ITEM	NAME OF PART	MATERIAL	NOTES
4	PIN	COPPER ALLOY	M2/Sn Plated
3	SCREW	STEEL	M2/Zn Plated
2	SPRING	STAINLESS STEEL	
1	HOUSING	PA66	UL94V-0

PART NO.: /		NINGBO DEGSON ELECTRICAL CO., LTD	
APPD: <i>Aaron 2/11/16</i>		NAME: DG350-3.5-XXP-1Y-02A(H)	
CHKD: <i>Song 2/11/16</i>		TITLE: CUSTOMER DRAWING	
DRFT: Song 12/11/15"		REV	TO
THIRD ANGLE PROJECTION		DRAWING NO.: DG350-3.5-C07	SHEET 1/1
		DO NOT SCALE DRAWING	SCALE 1:1

3.02  
 使用对外无