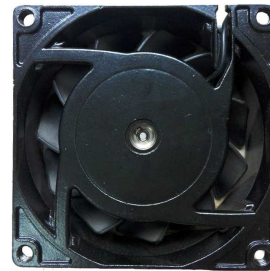


FC 8025 B 28 MF

80x80x25 mm

Features

- Frame: Aluminum alloy
- Impeller: Thermoplastic PBT UL 94V-0
- Life: 50000 hours (ball bearing)
- Lead wires or terminals
- Operating temp.: -20~+75 °C
- 160 g
- CE

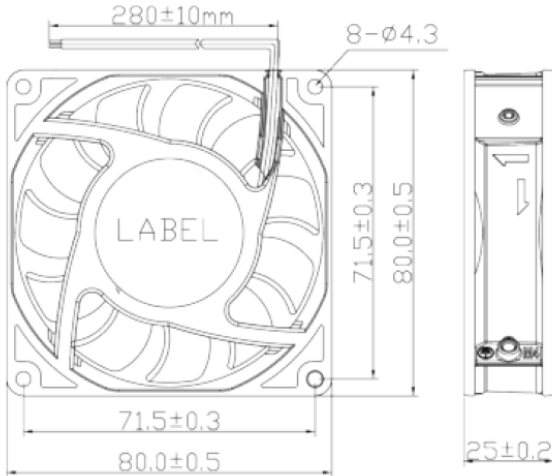


Model	Rated Voltage VAC	Frequency Hz	Input Power (W)	Speed RPM	Airflow CFM	Static Pressure (mmH2O)	Sound Level dBA
FC 8025 11 B 28MF	110	50/60	4.0	2800	35.7	3.3	28
FC 8025 23 B 28MF	230	50/60	4.0	2800	35.7	3.3	28

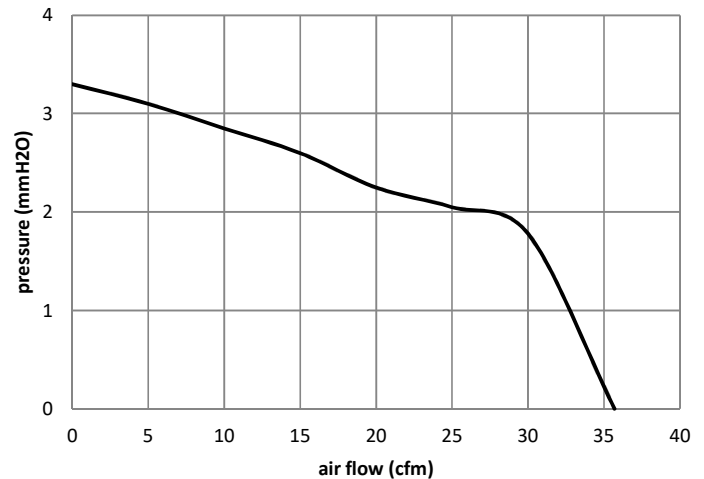
*: above specifications are subject to change without prior notice

**: for non-standard product, contact our sale's team at info@ventus-sa.com

Dimensions



Performance



Ordering Code:

Fan type	Dimensions	Voltage	Bearing type		Speed	Metal Frame	-	Electrical connections		Other specs*
			Ball	sleeve				Terminals	Lead wires	
FC	8025	11/23	B	NA	28	MF	-	C	L	/O

*: if the ordered item is not standard fans offered on our website, always put "/O" at the end of the ordering code and specify the project number which is unique for any non-standard products. Sales team will provide this project number together with specs sheet confirmed by both parties.

Example: FC 8025 23 B 28MF-L