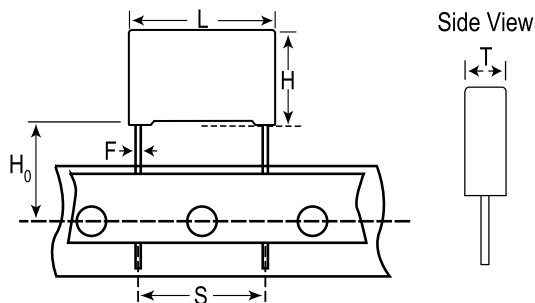


Film, Metallized Polypropylene, Safety, KEMET, R46, 0.01 uF, 10%, 630 V, 310 V, 110C, Lead Spacing = 15mm



General Information	
Dielectric:	Metallized Polypropylene
Style:	Radial
Supplier:	KEMET
Series:	R46
Features:	Pulse
RoHS:	Yes
Lead:	Wire Leads

Dimensions	
L	18mm +0.3mm
H	11mm +0.1mm
T	5mm +0.2mm
S	15mm +/-0.4mm
H0	18mm +/-0.5mm
F	0.6mm +/-0.05mm

Specifications	
Capacitance:	0.01 uF
Capacitance Tolerance:	10%
Voltage DC:	630 VDC
Voltage AC:	310 VAC
Temperature Range:	-40/+110C
Rated Temperature:	110C
Dissipation Factor:	0.1% 1kHz
Max dVdt:	400 V
Safety Class:	X2

Packaging Specifications	
Packaging:	Ammo, 360x340x59mm, Box
Packaging Quantity:	800