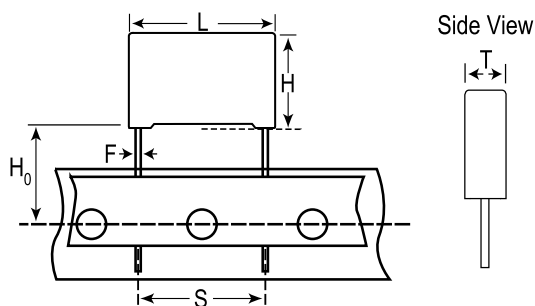


Film, Metallized Polypropylene, Safety, KEMET, R46, 0.047 uF, 10%, 630 V, 310 V, 110C, Lead Spacing = 15mm



**General Information**

<b>Dielectric:</b>	Metallized Polypropylene
<b>Style:</b>	Radial
<b>Supplier:</b>	KEMET
<b>Series:</b>	R46
<b>Features:</b>	Pulse
<b>RoHS:</b>	Yes
<b>Lead:</b>	Wire Leads

**Specifications**

<b>Capacitance:</b>	0.047 uF
<b>Capacitance Tolerance:</b>	10%
<b>Voltage DC:</b>	630 VDC
<b>Voltage AC:</b>	310 VAC
<b>Temperature Range:</b>	-40/+110C
<b>Rated Temperature:</b>	110C
<b>Dissipation Factor:</b>	0.1% 1kHz
<b>Max dVdt:</b>	400 V
<b>Safety Class:</b>	X2

**Dimensions**

<b>L</b>	18mm +0.3mm
<b>H</b>	11mm +0.1mm
<b>T</b>	5mm +0.2mm
<b>S</b>	15mm +/-0.4mm
<b>H0</b>	18mm +/-0.5mm
<b>F</b>	0.6mm +/-0.05mm

**Packaging Specifications**

<b>Packaging:</b>	Ammo, 360x340x59mm, Box
<b>Packaging Quantity:</b>	800