



## SPECIFICATION FOR APPROVAL

CUSTOMER: \_\_\_\_\_

CUSTOMER P. N. : \_\_\_\_\_

MODEL NO. : \_\_\_\_\_

PRODUCT NO. : \_\_\_\_\_

SAMPLE DATE: \_\_\_\_\_

Customer Approval

TESTED BY	CHECKED BY	APPROVED BY

Please return to us one copy of "SPECIFICATION FOR APPROVAL" with you approved signature.

DONE Approval

TESTED BY	CHECKED BY	APPROVED BY

Zhongshan Done Electronics Technology Co.,Ltd.

No.2 of Kanglong 3rd Road Henglan Town Zhongshan Guangdong China Post code528478

TEL:0760-89838399 89838379

FAX:0760-89831157 89838396

E-mail: <mailto:donepower@163.com>

**Product features:**

- ◇Universal input voltage(AC90-264V)
- ◇Full sealed insulation treatment,high thermal conductivity aluminum alloy shell.
- ◇Automatic glue machine, science with glue,waterproof grade can reach more than IP67.
- ◇100% full load burn - in test,the product is more stable and reliable.
- ◇Through the temperature resistance test,can be in the low temperature -40℃ normal work,the highest temperature75℃.
- ◇But under the instantaneous 300V AC input up to 5 seconds.
- ◇Long life design warranty for 3years (30000 hours)
- ◇Built in two levels of lightning protection circuit design, 1000V .
- ◇Low cost and high reliability,high efficiency,high power factor POF $\geq$ 0.9 .
- ◇Applied in:Fountain lamp,wall lamp,spotlight and other outdoor lamp .

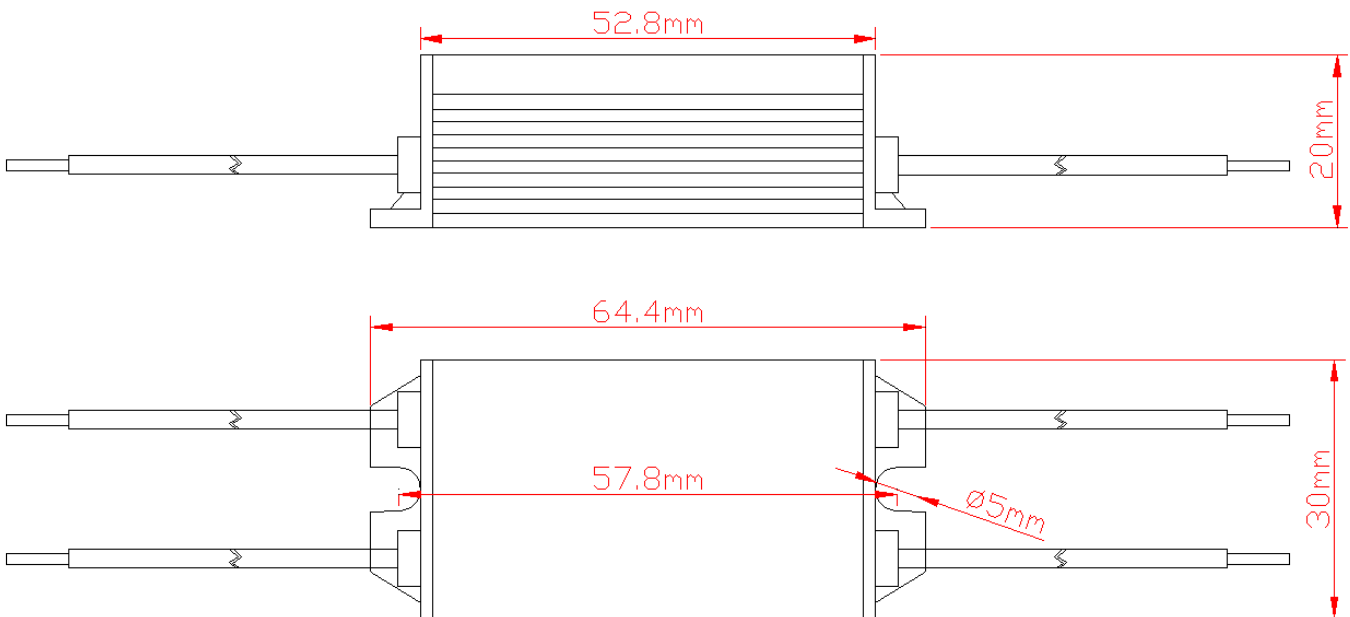
**SPECIFICATION**

MODEL		DL-7W300-MP □	
OUTPUT	RATED CURRENT	350mA	
	CONSTANT CURRENT REGION Note.4	15-25V	
	RATED POWER	7W	
	RIPPLE OF THE OUTPUT CURRENT	-----	
	CURRENT TOLERANCE	$\pm 5\%$	
	LINE REGULATION	$\pm 5\%$	
	LOAD REGULATION	$\pm 5\%$	
	SETUP, RISE TIME	2000ms,80ms 230VA 2500ms,80ms 115VAC at full load; 2000ms,80ms 230VAC 2500ms,80ms 115V	
INPUT	VOLTAGE RANGE Note.5	90 ~ 264VAC	
	FREQUENCY RANGE	47 ~ 63Hz	
	EFFICIENCY (Typ.)	82%	
	AC CURRENT (Typ.)	0.082A/115VAC 0.041A/230VAC	
	INRUSH CURRENT(max.)	COLD START 40A at 230VAC	
	LEAKAGE CURRENT	<0.3mA / 230VAC	
PROTECTION	OVER CURRENT (Typ.) Note.4	95 ~ 105% Protection type : Constant current limiting, recovers automatically after fault condition is removed	
	SHORT CIRCUIT	Hiccup mode, recovers automatically after fault condition is removed	
	OVER VOLTAGE	26-30V	
		Protection type : hiccup or when it is at the highest point of output voltage the product would not be hurted when the fault is excluded or is start working again the power supply is working normally	
ENVIRONMENT	WORKING TEMP.	-40 ~ +70℃ (Refer to "Derating Curve")	
	WORKING HUMIDITY	20 ~ 95% RH non-condensing 20 ~ 95% RH	
	STORAGE TEMP, HUMIDITY	-40 ~ +80℃, 10 ~ 95% RH	
	VIBRATION	10 ~ 500Hz, 5G 12min./1cycle, period for 72min. each along X, Y, Z axes	
SAFETY & EMC	WITHSTAND VOLTAGE	I/P-O/P:1.5KVAC 5 mA 1 min	
	ISOLATION RESISTANCE	I/P-O/P,100M Ohms / 500VDC / 25℃/ 70% RH	
	EMC EMISSION	/	

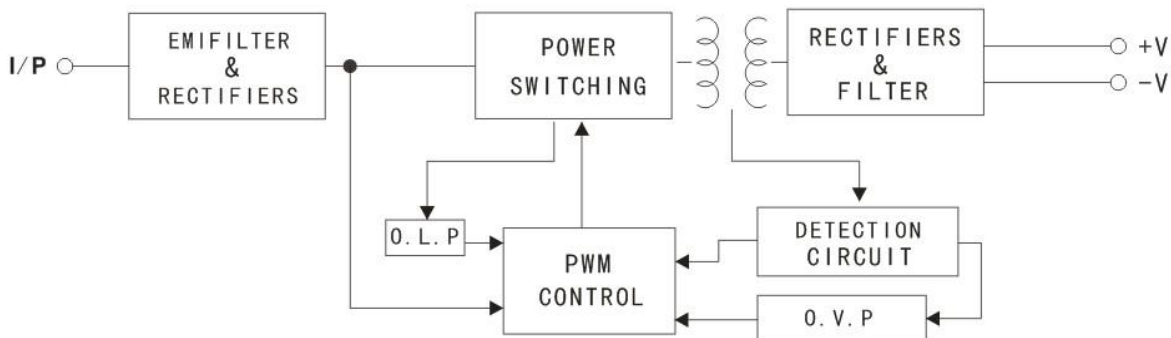
	EMC IMMUNITY	Compliance to EN61000-4-2, 3, 4, 5, 6, 8, 11, EN61547, EN55024, light industry level (surge 0.5KV), criteria A
OTHERS	MTBF	514K hrs min. MIL-HDBK-217F (25°C)
	DIMENSION	64.4*30*20mm (L*W*H)
	PACKING	/
NOTE	<p>1. All parameters NOT specially mentioned are measured at 230VAC input, rated load and 25°C of ambient temperature.</p> <p>2.</p> <p>3. Tolerance : includes set up tolerance, line regulation and load regulation.</p> <p>4. Constant current operation region is within 50% ~100% rated output voltage. This is the suitable operation region for LED related applications.</p> <p>5. Derating may be needed under low input voltages. Please check the for more details.</p>	

■ Mechanical Specification:

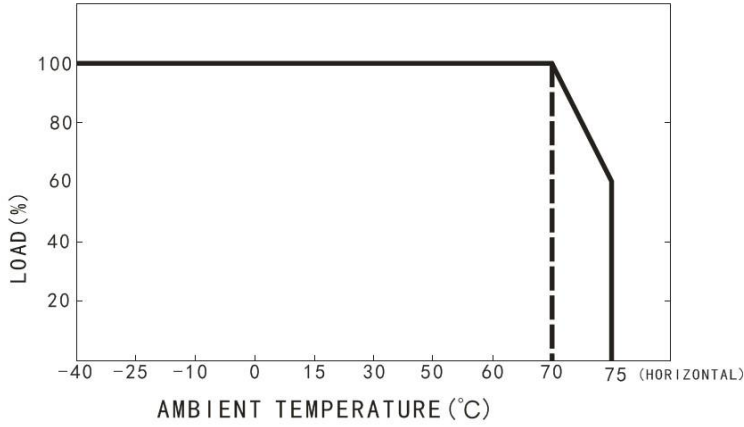
Unit:mm



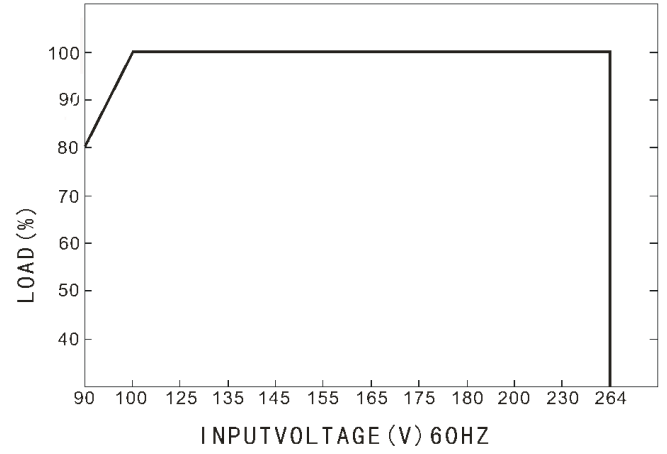
■ Block Diagram



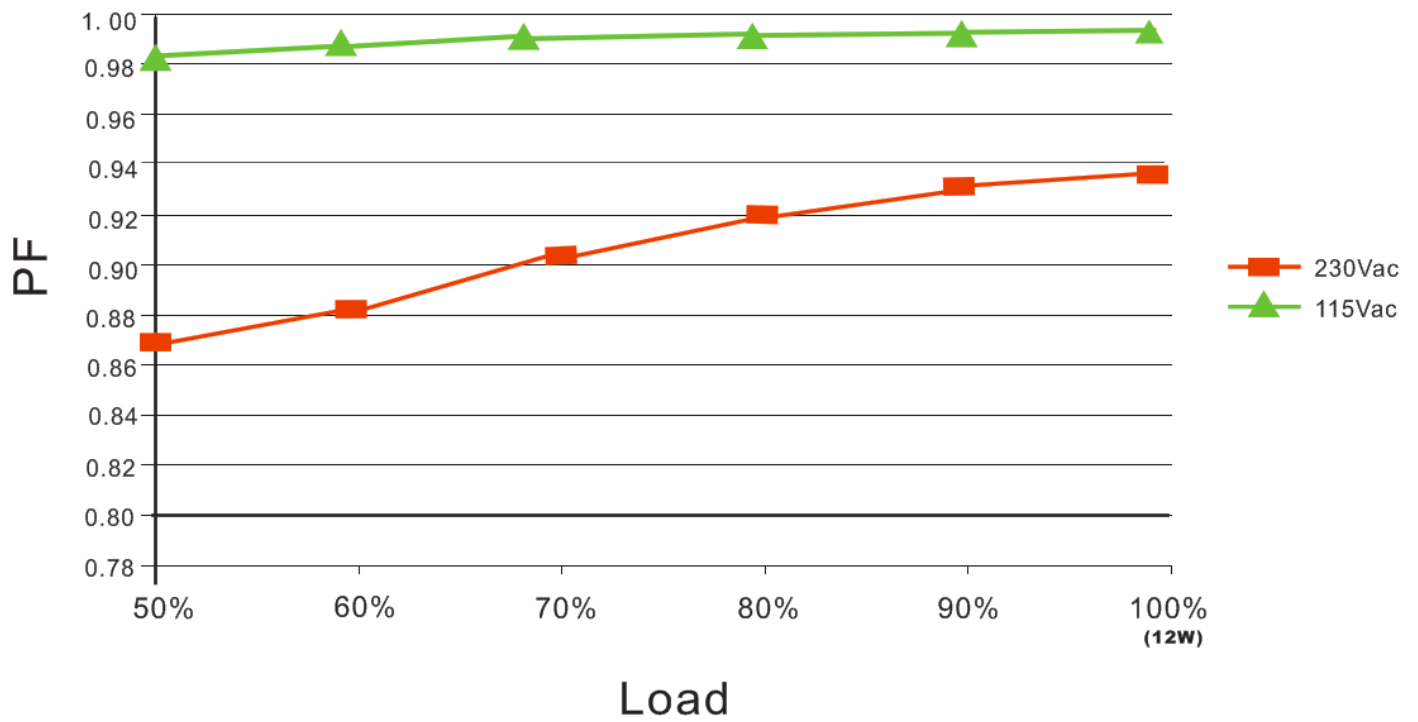
■ Derating Curve



■ Static Characteristics



■ Power Factor Characteristic



■ EFFICIENCY VS LOAD

