



Product name SMD Terminal

Order Method:

Product type B07B

Series No. No. of pole Color Customer Request

Order form with input boxes for Series No., No. of pole, Color, and Customer Request.

Product Parameter:



See annex the technical drawing

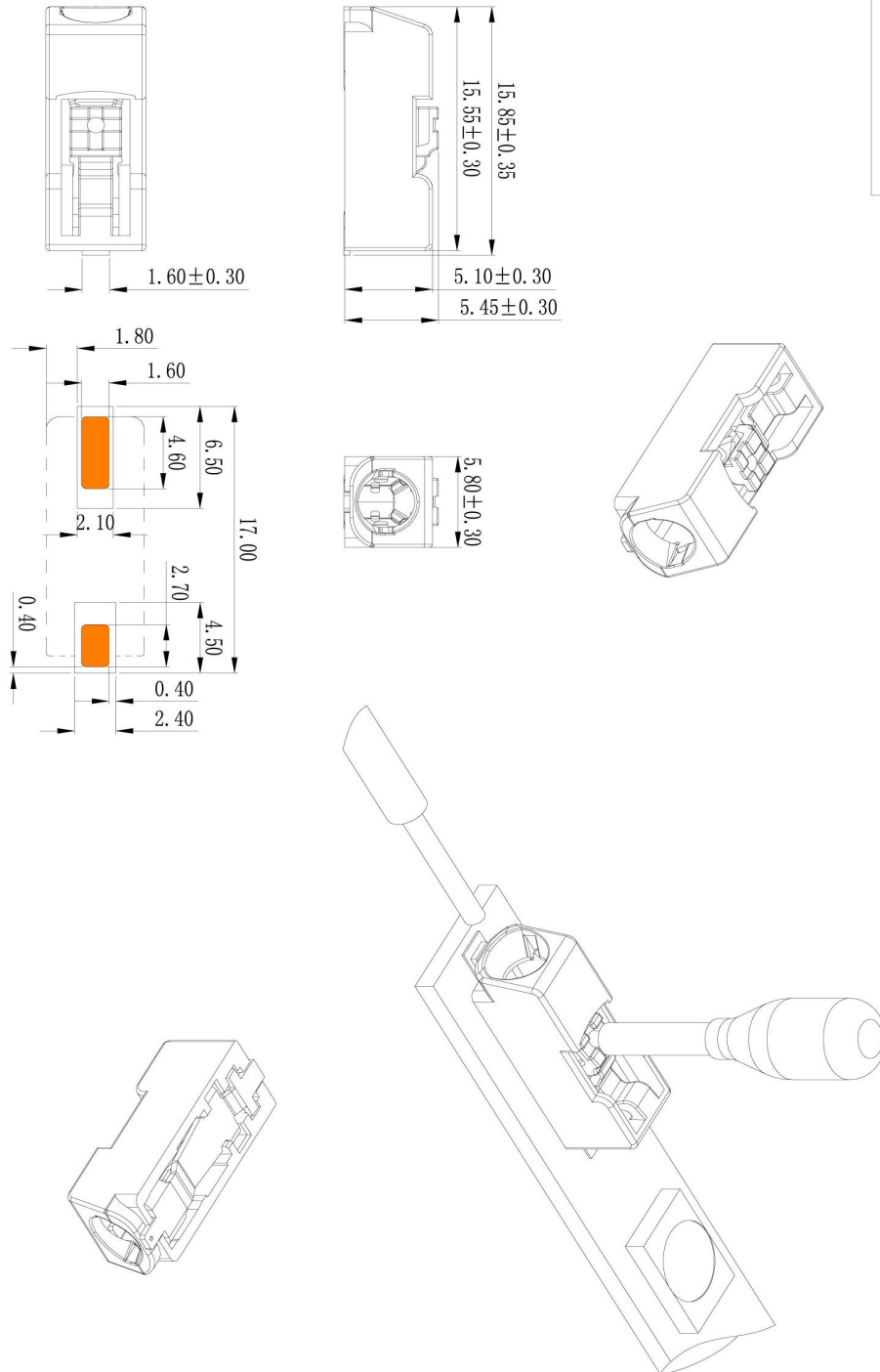
Product Parameter table with sections: Appearance, Material, Electrical, MECHANICAL. Includes specifications for Pitch, Color, Stripped length, Wire connected quantity, Shape, clamping unit, SMD contact, Voltage, Current, Conductor size, and Temperature range.

Features:

- 1 Replace 2061 connector is B07B, it has dependent button, and it could not break down after pressing repeatedly
2 while inserting wire, checking whether inserting wire properly, releasing matched with operation tools
3 Its shape will not modify, while going through the high temperature SMT wave-soldering
4 It will not fall off because of the clip contact matching with the plastic parts more tightly

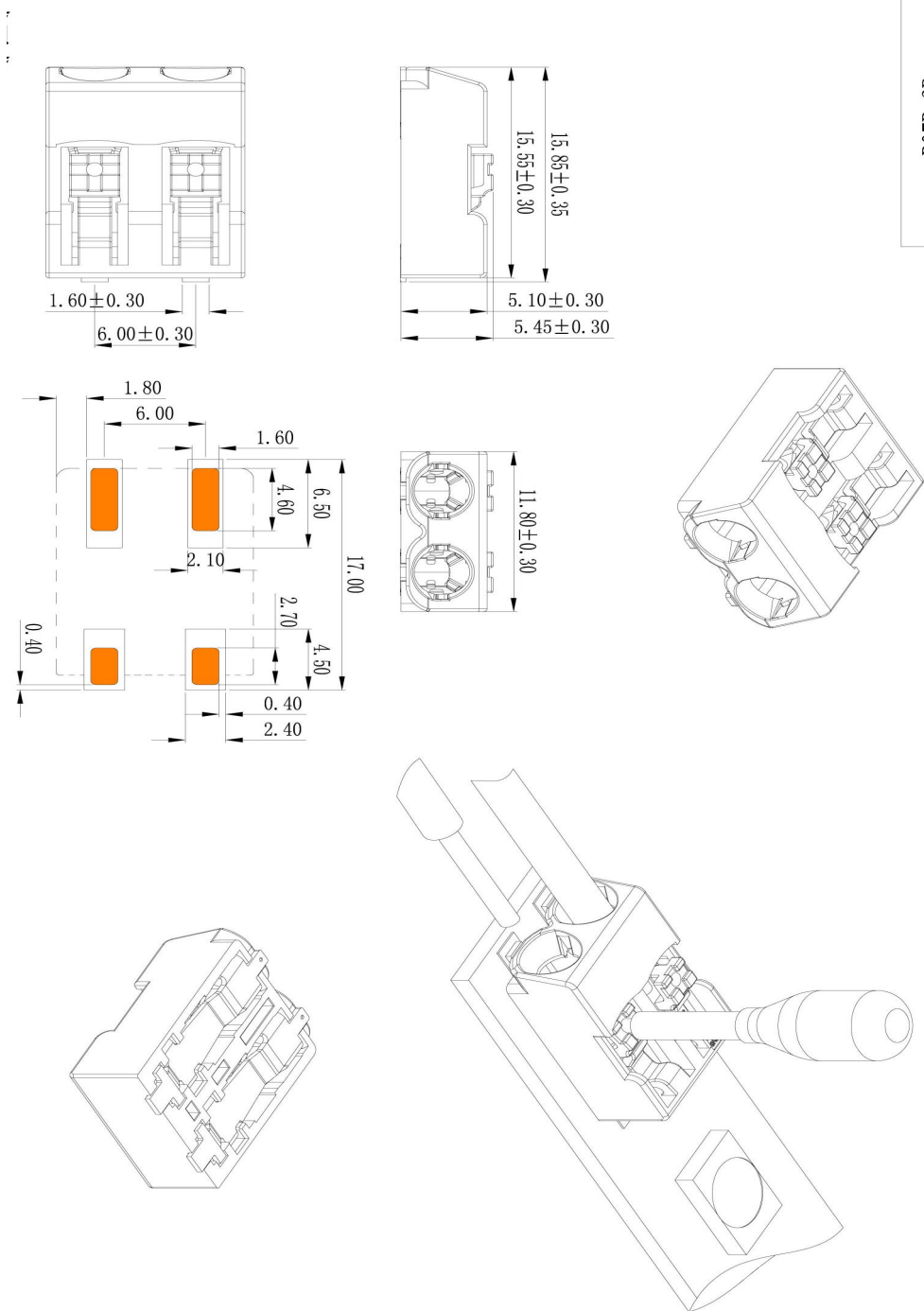
SMD Terminal B07B-1P

2



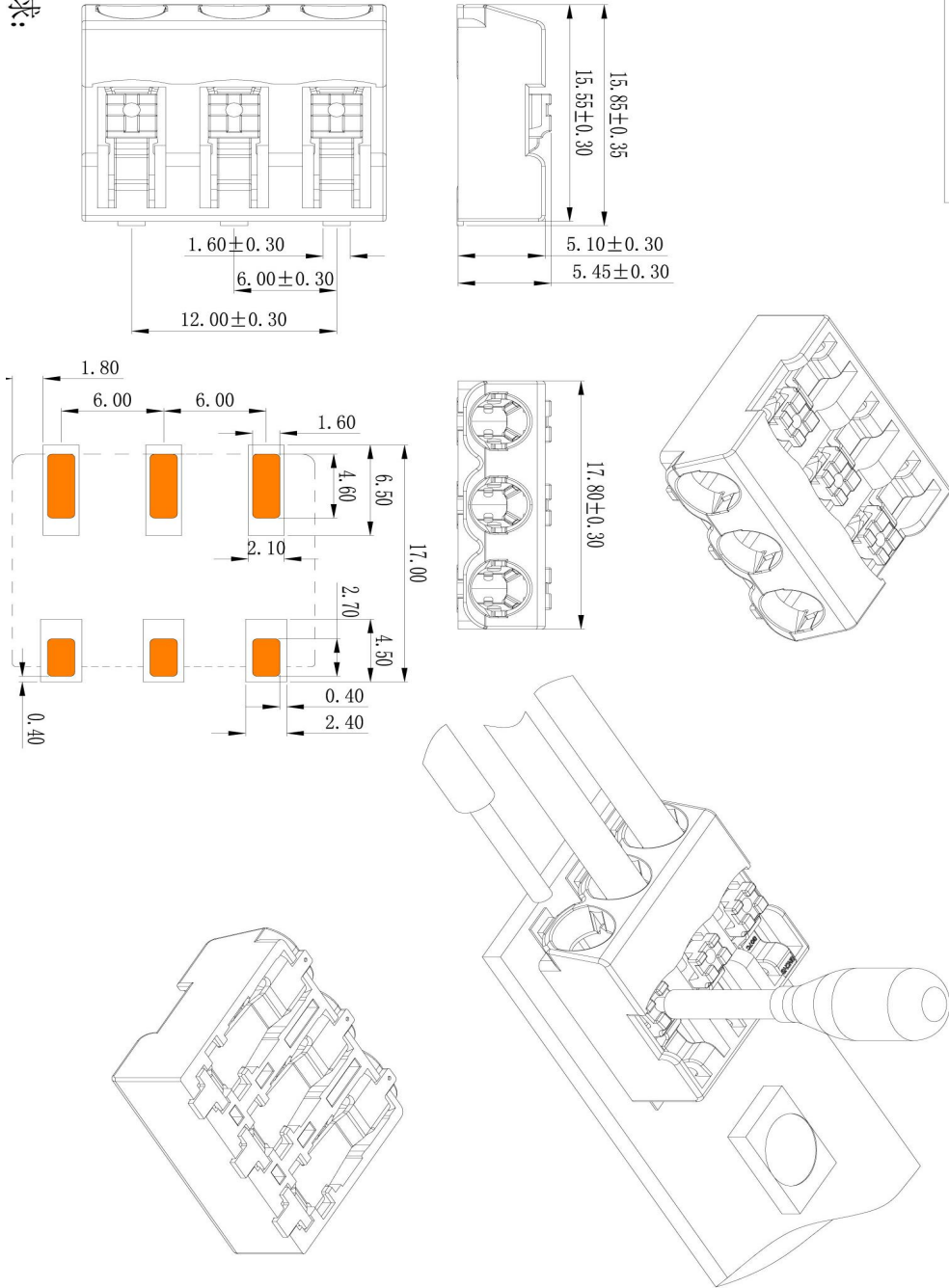
B07B-1D

SMD Terminal B07B-2P



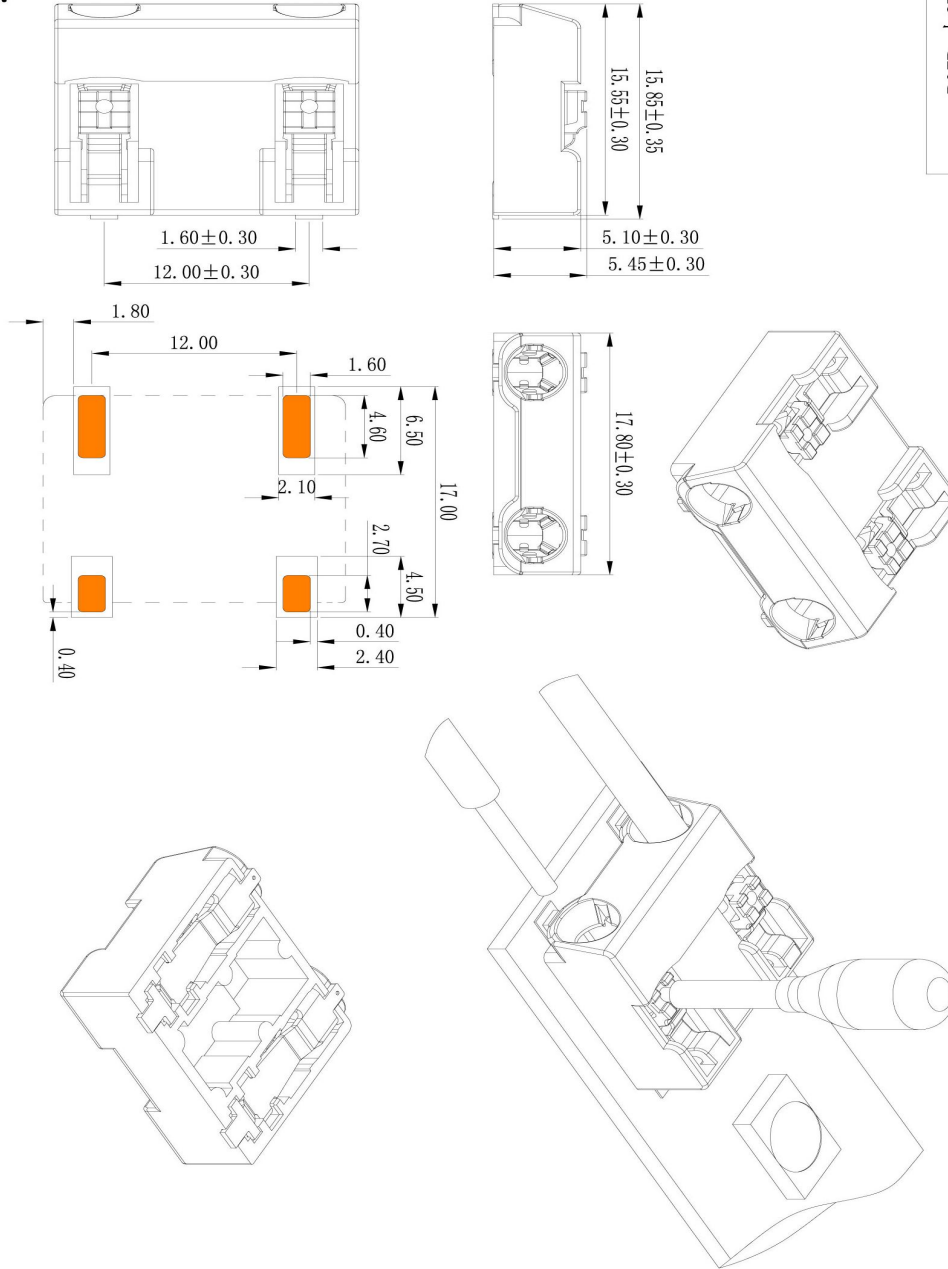
SMD Terminal B07B-3P

技术要求:



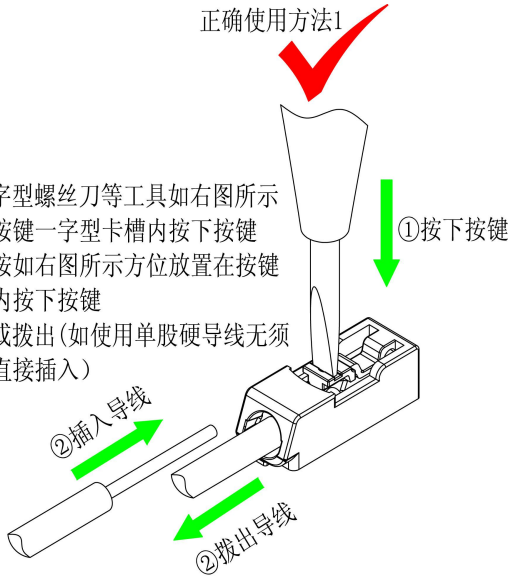
SMD Terminal B07B-12.0

尺寸



ATTENTION

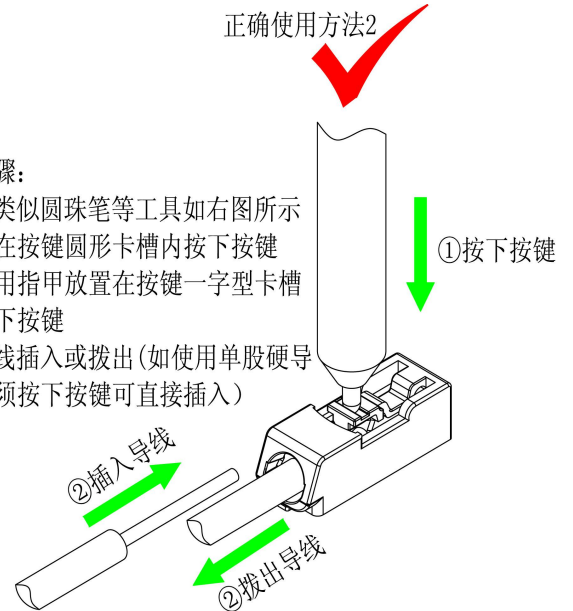
正确使用方法1



操作步骤:

- ①使用类似一字型螺丝刀等工具如右图所示方位放置在按键一字型卡槽内按下按键或者用指甲按如右图所示方位放置在按键一字型卡槽内按下按键
- ②将导线插入或拨出(如使用单股硬导线无须按下按键可直接插入)

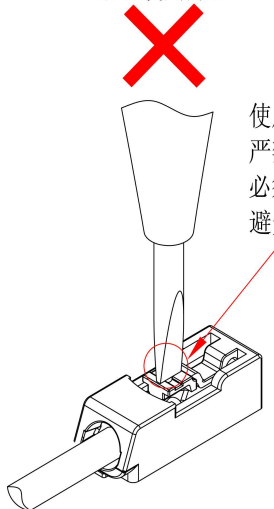
正确使用方法2



操作步骤:

- ①使用类似圆珠笔等工具如右图所示放置在按键圆形卡槽内按下按键或者用指甲放置在按键一字型卡槽内按下按键
- ②将导线插入或拨出(如使用单股硬导线无须按下按键可直接插入)

错误使用方法



使用类似一字型螺丝刀或指甲等工具操作时, 严禁按如图所示方位放置螺丝刀或指甲, 必须将螺丝刀或指甲卡进按键一字型卡槽内, 避免在使用过程中造成按键断裂