

# TERMINAL BLOCK Connector



## Pluggable Series

KLS2-EDAR-3.50/3.81 Series Pitch=3.50mm/3.81mm

### Electrical :

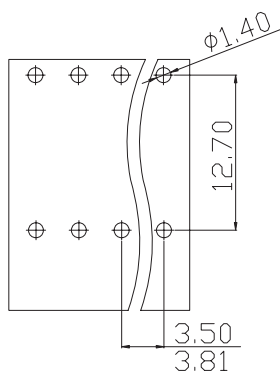
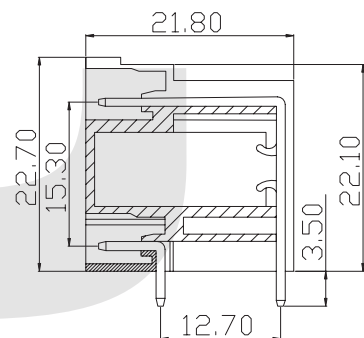
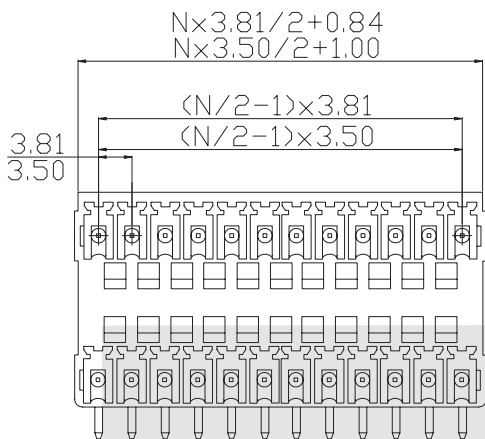
- Rated voltage: 300V
- Rated current: 8A
- Contact resistance: 20mΩ
- Insulation resistance: 5000MΩ/1000V
- Withstanding Voltage: AC1500V/1Min

### Material

- Housing: PA66, UL94V-0
- Pin header: Brass, Tin plated

### Mechanical

- Temp. Range: -40°C~+105°C
- MAX Soldering: +250°C for 5 Sec



PCB LAYOUT

## ORDER INFORMATION

Product NO.: KLS2-EDAR-3.50-XXP X X

Pos. NO.

Series No.

Pitch: 3.50=3.50mm 3.81=3.81mm

Number of Pole

Customer Request

Color: 1=Gray  
4=Green  
7=Transparent

2=Blue  
5=Orange  
8=Yellow

3=Black  
6=Red  
9=White