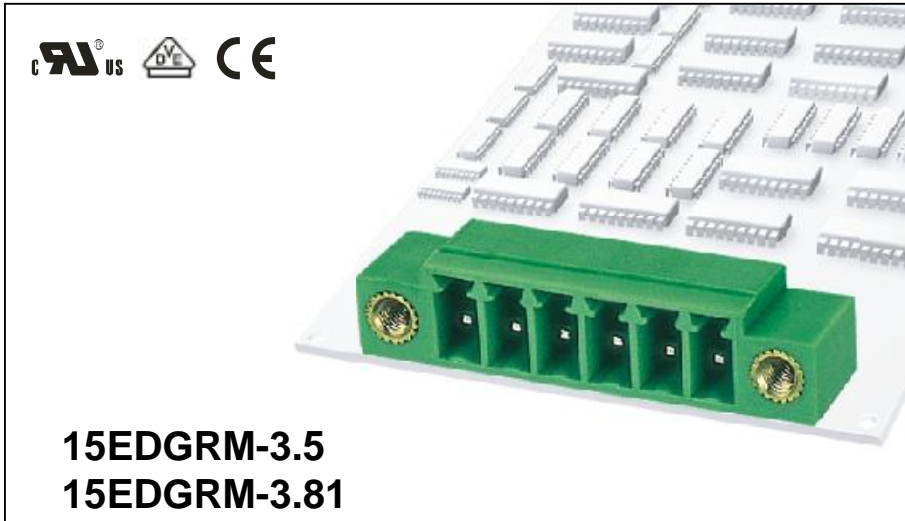


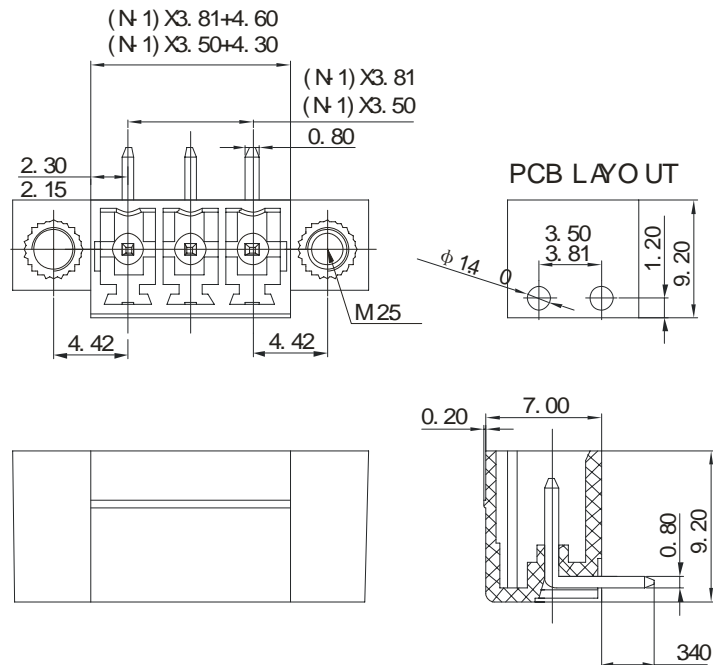


DEGSON ELECTRONICS CO., LTD.

Product Specification

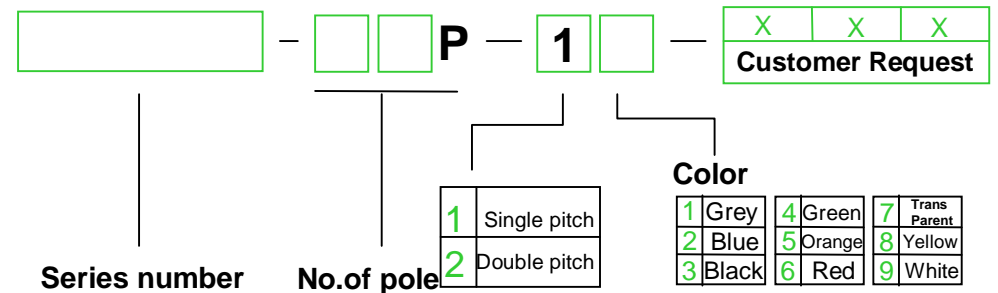


15EDGRM-3.5
15EDGRM-3.81



APPROVAL		
Electrical		
Standard	UL	IEC
Rated voltage	300V	250V
Rated current	8A	7A
Rated impulse voltage	2.5KV	
Mechanical		
Ambient temperature	-40°C~+105 °C	
Dimensions		
Pitch	3.5mm(.138") 3.81mm(.150")	
Poles	2P-20P	
Material		
Housing	PA66,UL94V-0	
Pin header	Brass,Tin-plated	
Nut	M2.5,Brass	

HOW TO ORDER :



	DEGSON ELECTRONICS CO., LTD.
	NAME 15EDGRM-3.5, 15EDGRM-3.81