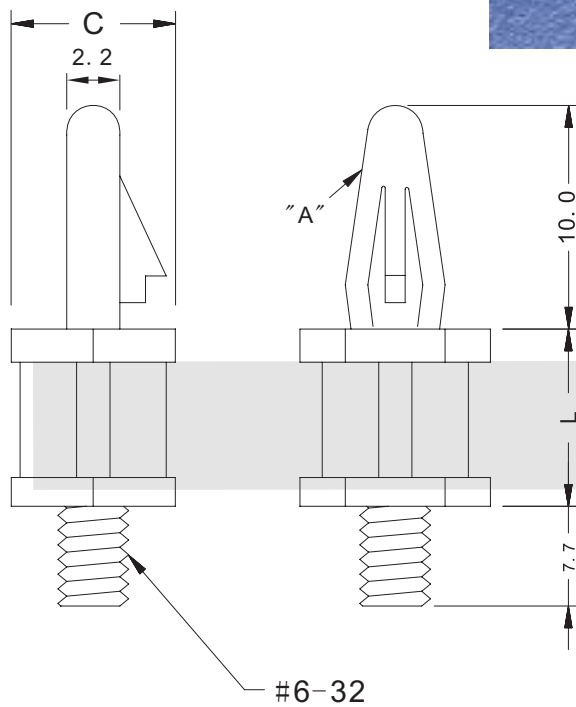


PCB Support Series

KLS8-0207 PCB Support Series

Material: UL approved Nylon 66, 94V-2

Unit:mm



"A" HOLE IN P. C. B \varnothing 4.0
P. C. B THICKNESS 1.6

ITEM NO.	L	C	Packing
PSU-06	6.3	7.8	1000PCS
PSU-10	9.5	7.8	1000PCS
PSU-12	12.7	7.8	1000PCS
PSU-15	15.9	7.8	1000PCS

ORDER INFORMATION

KLS8-0207 - PSU-06

Hight
 PCB Support Series
 Part Number