

**NEW**

# PTS647 Series 4.5 mm Tact Switch

## Features/Benefits

- Compact size 4.5 x 4.5 mm
- SMT terminals
- Different actuator heights
- Choice of actuation forces
- Tape & reel

## Typical Applications

- Consumer
- Industrial control panels
- Computer products



Part Number	Operating Force (gf)	Life	Height (H)
PTS 647 SN38 SMTR2 LFS	100 +/- 50	100,000	3.8 mm
PTS 647 SM38 SMTR2 LFS	180 +/- 50	100,000	3.8 mm
PTS 647 SK38 SMTR2 LFS	250 +/- 50	100,000	3.8 mm
PTS 647 SN50 SMTR2 LFS	100 +/- 50	100,000	5.0 mm
PTS 647 SM50 SMTR2 LFS	180 +/- 50	100,000	5.0 mm
PTS 647 SK50 SMTR2 LFS	250 +/- 50	100,000	5.0 mm
PTS 647 SN70 SMTR2 LFS	100 +/- 50	100,000	7.0 mm
PTS 647 SM70 SMTR2 LFS	180 +/- 50	100,000	7.0 mm
PTS 647 SK70 SMTR2 LFS	250 +/- 50	100,000	7.0 mm

## Mechanical

TRAVEL: 0.25 mm +/- 0.15 mm

## Electrical

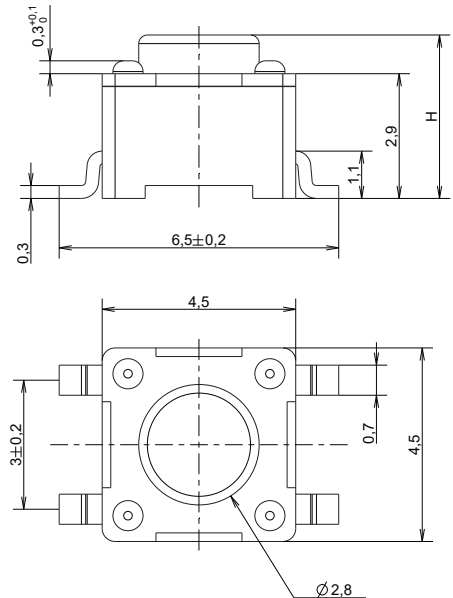
CONTACT RATING: 50 mA @ 12 V DC.  
 DIELECTRIC STRENGTH: 250 V AC min.  
 CONTACT RESISTANCE: 100 mΩ max. initial.  
 INSULATION RESISTANCE: 100 MΩ min.

## Environmental

OPERATING TEMPERATURE: -20°C to 70°C

## Packaging

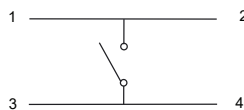
In reels of 1,000 pieces for 7.0 mm height  
 In reels of 1,500 pieces for 5.0 mm height  
 In reels of 2,000 pieces for 3.8 mm height  
 Dimensions of reels according to EIA RS481 or IEC 2863.  
 External diameter 330 mm ± 2 mm.



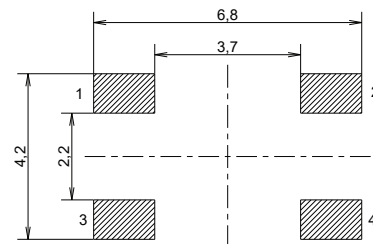
## Environmental

OPERATING TEMPERATURE: -20°C to 70°C

SCHEMATIC



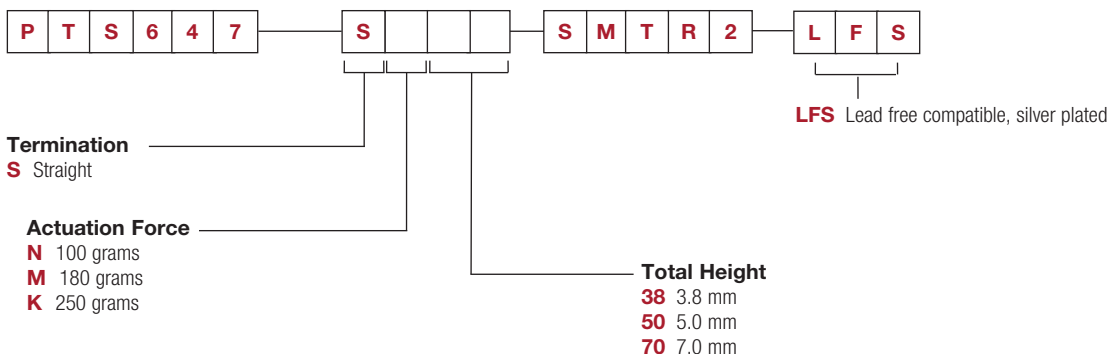
RECOMMENDED PCB LAYOUT



## How To Order

Our easy build-a-switch concept allows you to mix and match options to create the switch you need. To order, select desired option from each category and place it in the appropriate box.

For any part number different from those listed above, please consult your local representative.



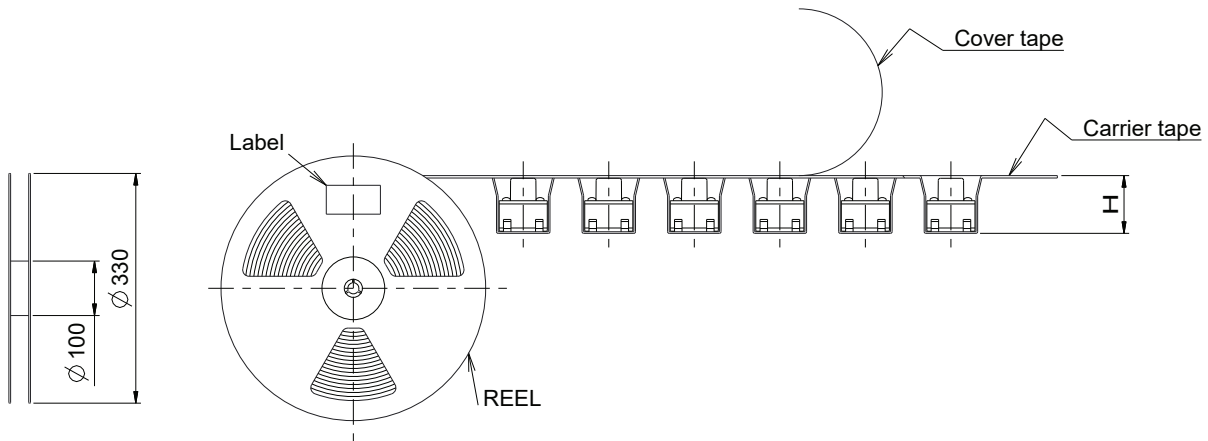
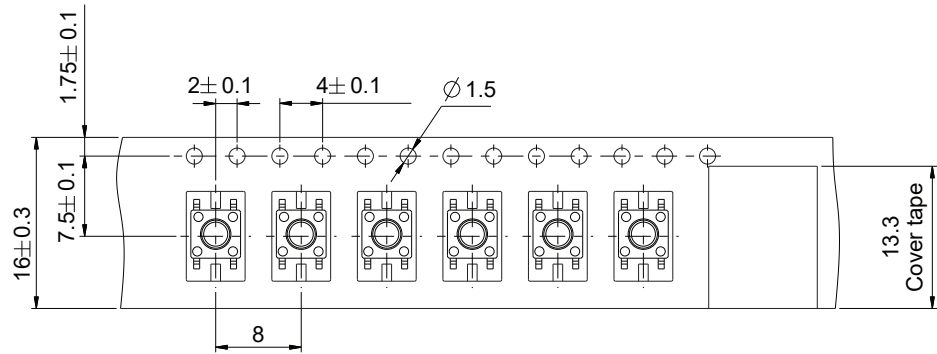
# PTS647 Series 4.5 mm Tact Switch

**NEW**

## TAPE & REEL

Tactile Switches

B



Part Number	Pocket Height (H)
PTS 647 SN38 SMTR2 LFS	4.2 mm
PTS 647 SM38 SMTR2 LFS	4.2 mm
PTS 647 SK38 SMTR2 LFS	4.2 mm
PTS 647 SN50 SMTR2 LFS	5.4 mm
PTS 647 SM50 SMTR2 LFS	5.4 mm
PTS 647 SK50 SMTR2 LFS	5.4 mm
PTS 647 SN70 SMTR2 LFS	7.2 mm
PTS 647 SM70 SMTR2 LFS	7.2 mm
PTS 647 SK70 SMTR2 LFS	7.2 mm

Dimensions are shown: mm  
Specifications and dimensions subject to change