



FEATURES

- Access time : 35/70ns (max.)
- Low power consumption:
 Operating : 60 mA (typical)
 Standby : 3mA (typical) normal
 2 μ A (typical) L-version
 1 μ A (typical) LL-version
- Single 5V power supply
- All inputs and outputs TTL compatible
- Fully static operation
- Three state outputs
- Data retention voltage : 2V (min.)
- Package : 28-pin 600 mil PDIP
 28-pin 330 mil SOP
 28-pin 8x13.4mm TSOP-I

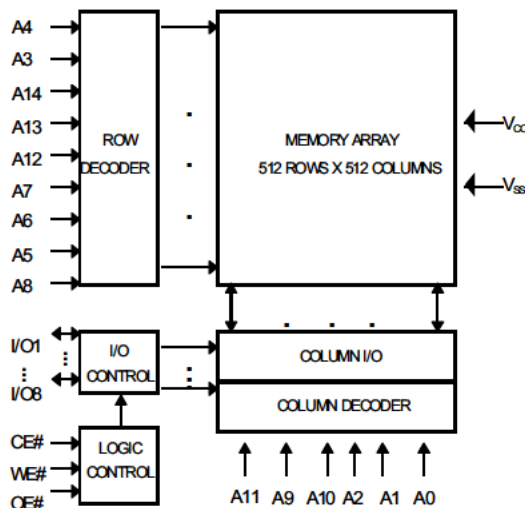
GENERAL DESCRIPTION

The UT62256 is a 262,144-bit low power CMOS static random access memory organized as 32,768 words by 8 bits. It is fabricated using high performance, high reliability CMOS technology.

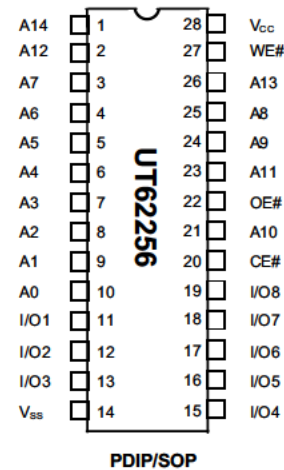
The UT62256 is designed for high-speed and low power application. It is particularly well suited for battery back-up nonvolatile memory application.

The UT62256 operates from a single 5V power supply and all inputs and outputs are fully TTL compatible.

FUNCTIONAL BLOCK DIAGRAM

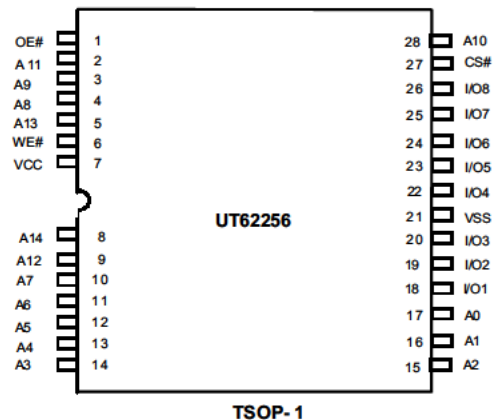


PIN CONFIGURATION



PIN DESCRIPTION

SYMBOL	DESCRIPTION
A0 - A14	Address Inputs
I/O1 - I/O8	Data Inputs/Outputs
CE#	Chip Enable Input
WE#	Write Enable Input
OE#	Output Enable Input
V _{CC}	Power Supply
V _{SS}	Ground



**ABSOLUTE MAXIMUM RATINGS***

PARAMETER	SYMBOL	RATING	UNIT
Terminal Voltage with Respect to V _{SS}	V _{TERM}	-0.5 to +7.0	V
Operating Temperature	T _A	0 to +70	°C
Storage Temperature	T _{STG}	-65 to +150	°C
Power Dissipation	P _D	1	W
DC Output Current	I _{OUT}	50	mA
Soldering Temperature (under 10 sec)	T _{solder}	260	°C

*Stresses greater than those listed under "Absolute Maximum Ratings" may cause permanent damage to the device. This is a stress rating only and functional operation of the device or any other conditions above those indicated in the operational sections of this specification is not implied. Exposure to the absolute maximum rating conditions for extended period may affect device reliability.

TRUTH TABLE

MODE	CE#	OE#	WE#	I/O OPERATION	SUPPLY CURRENT
Standby	H	X	X	High - Z	I _{SB} , I _{SB1}
Output Disable	L	H	H	High - Z	I _{CC}
Read	L	L	H	D _{OUT}	I _{CC}
Write	L	X	L	D _{IN}	I _{CC}

Note: H = V_{IH}, L = V_{IL}, X = Don't care.

DC ELECTRICAL CHARACTERISTICS (V_{CC} = 5V ± 10%, T_A = 0°C to 70°C)

PARAMETER	SYMBOL	TEST CONDITION	MIN.	TYP.	MAX.	UNIT	
Input High Voltage	V _{IH}		2.2	-	V _{CC} +0.5	V	
Input Low Voltage	V _{IL}		-0.5	-	0.8	V	
Input Leakage Current	I _{LI}	V _{SS} ≤ V _{IN} ≤ V _{CC}	-1	-	1	μA	
Output Leakage Current	I _{LO}	V _{SS} ≤ V _{I/O} ≤ V _{CC} CE# = V _{IH} or OE# = V _{IH} or WE# = V _{IL}	-1	-	1	μA	
Output High Voltage	V _{OH}	I _{OH} = -1mA	2.4	-	-	V	
Output Low Voltage	V _{OL}	I _{OL} = 4mA	-	-	0.4	V	
Operating Power Supply Current	I _{CC}	CE# = V _{IL} , I _{I/O} = 0mA Cycle=Min.	-35	-	60	100	mA
			-70	-	40	70	mA
Standby Power Supply Current	I _{SB}	CE# = V _{IH}	normal	-	1	10	mA
	I _{SB1}	CE# ≥ V _{CC} -0.2V		-	0.3	5	mA
	I _{SB}	CE# = V _{IH}	-L/-LL	-	-	3	mA
	I _{SB1}	CE# ≥ V _{CC} -0.2V	-L	-	2	100	μA
			-LL	-	1	50	μA

**CAPACITANCE** ($T_A=25^{\circ}\text{C}$, $f=1.0\text{MHz}$)

PARAMETER	SYMBOL	MIN.	MAX	UNIT
Input Capacitance	C_{IN}	-	8	pF
Input/Output Capacitance	$C_{I/O}$	-	10	pF

Note : These parameters are guaranteed by device characterization, but not production tested.

AC TEST CONDITIONS

Input Pulse Levels	0V to 3.0V
Input Rise and Fall Times	5ns
Input and Output Timing Reference Levels	1.5V
Output Load	$C_L = 100\text{pF}$, $I_{OH}/I_{OL} = -1\text{mA}/4\text{mA}$

AC ELECTRICAL CHARACTERISTICS ($V_{CC} = 5V \pm 10\%$, $T_A = 0^{\circ}\text{C}$ to 70°C)**(1) READ CYCLE**

PARAMETER	SYMBOL	UT62256-35		UT62256-70		UNIT
		MIN.	MAX.	MIN.	MAX.	
Read Cycle Time	t_{RC}	35	-	70	-	ns
Address Access Time	t_{AA}	-	35	-	70	ns
Chip Enable Access Time	t_{ACE}	-	35	-	70	ns
Output Enable Access Time	t_{OE}	-	25	-	35	ns
Chip Enable to Output in Low Z	t_{CLZ}^*	10	-	10	-	ns
Output Enable to Output in Low Z	t_{OLZ}^*	5	-	5	-	ns
Chip Disable to Output in High Z	t_{CHZ}^*	-	25	-	35	ns
Output Disable to Output in High Z	t_{OHZ}^*	-	25	-	35	ns
Output Hold from Address Change	t_{OH}	5	-	5	-	ns

(2) WRITE CYCLE

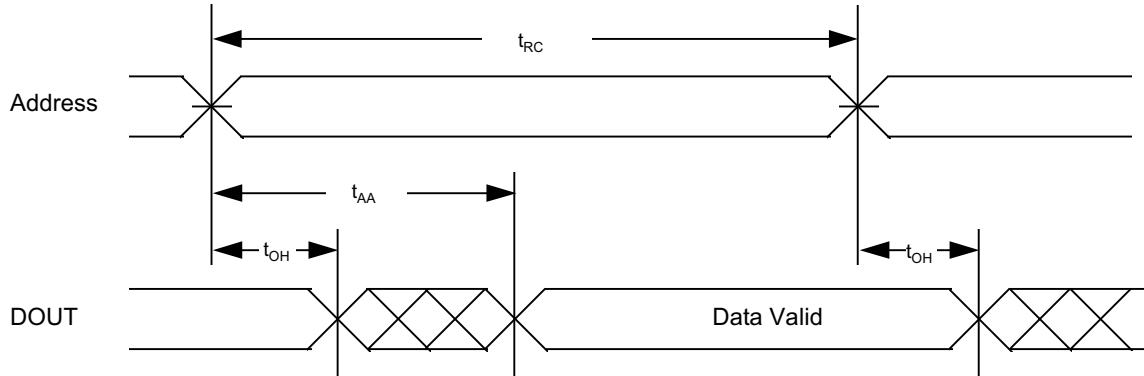
PARAMETER	SYMBOL	UT62256-35		UT62256-70		UNIT
		MIN.	MAX.	MIN.	MAX.	
Write Cycle Time	t_{WC}	35	-	70	-	ns
Address Valid to End of Write	t_{AW}	30	-	60	-	ns
Chip Enable to End of Write	t_{CW}	30	-	60	-	ns
Address Set-up Time	t_{AS}	0	-	0	-	ns
Write Pulse Width	t_{WP}	25	-	50	-	ns
Write Recovery Time	t_{WR}	0	-	0	-	ns
Data to Write Time Overlap	t_{DW}	20	-	30	-	ns
Data Hold from End of Write Time	t_{DH}	0	-	0	-	ns
Output Active from End of Write	t_{OW}^*	5	-	5	-	ns
Write to Output in High Z	t_{WHZ}^*	-	15	-	25	ns

*These parameters are guaranteed by device characterization, but not production tested.

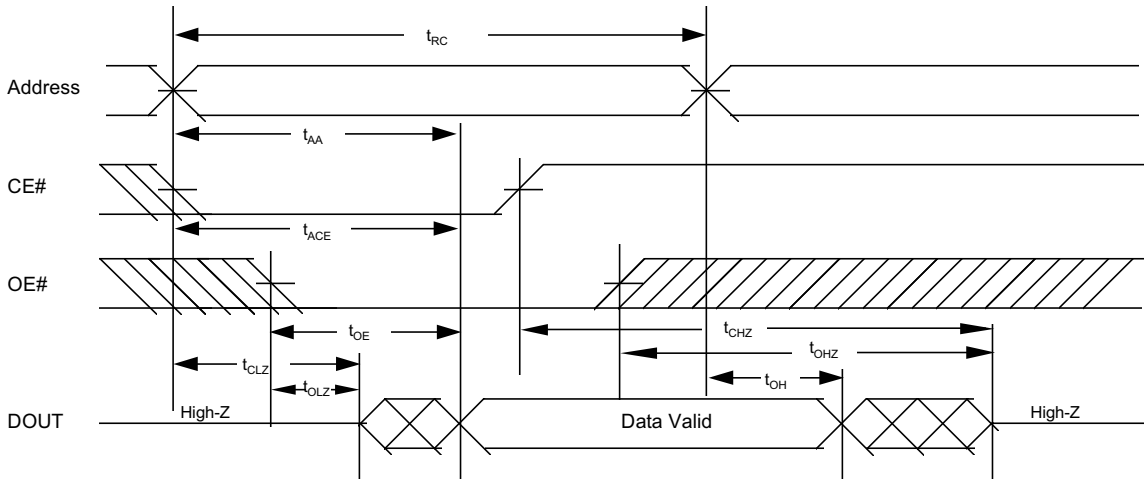


TIMING WAVEFORMS

READ CYCLE 1 (Address Controlled) (1,2,4)



READ CYCLE 2 (CE# and OE# Controlled) (1,3,5,6)

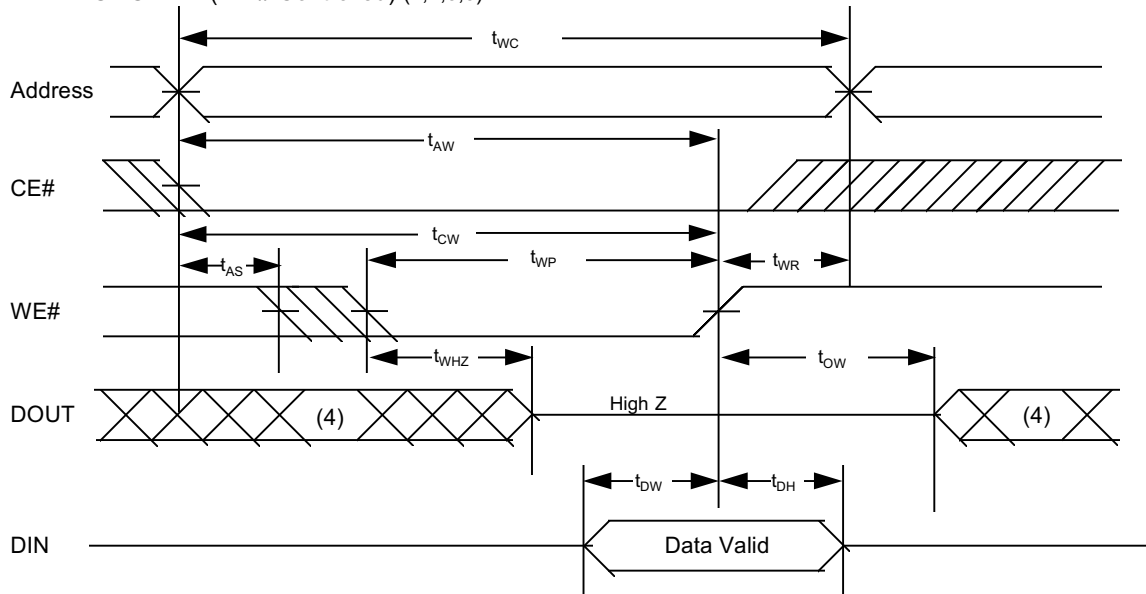


Notes :

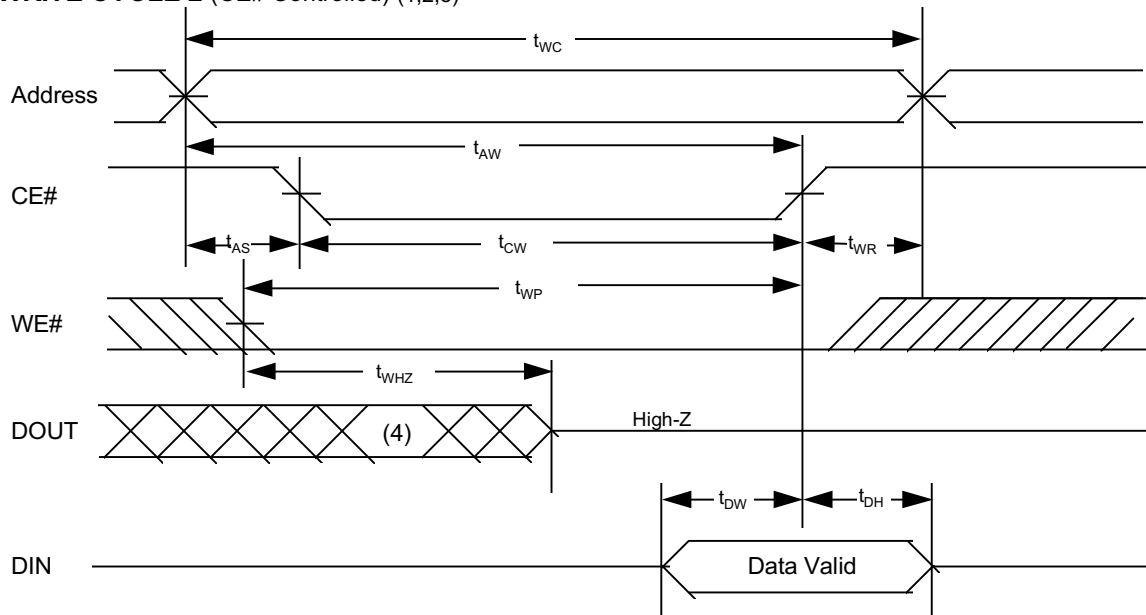
1. WE# is HIGH for read cycle.
2. Device is continuously selected CE#=V_{IL}.
3. Address must be valid prior to or coincident with CE# transition; otherwise t_{AA} is the limiting parameter.
4. OE# is LOW.
5. t_{CLZ} , t_{OLZ} , t_{CHZ} and t_{OHZ} are specified with $C_L=5pF$. Transition is measured $\pm 500mV$ from steady state.
6. At any given temperature and voltage condition, t_{CHZ} is less than t_{CLZ} , t_{OHZ} is less than t_{OLZ} .



WRITE CYCLE 1 (WE# Controlled) (1,2,3,5)



WRITE CYCLE 2 (CE# Controlled) (1,2,5)



Notes :

1. WE# or CE# must be HIGH during all address transitions.
2. A write occurs during the overlap of a low CE# and a low WE#.
3. During a WE# controlled with write cycle with OE# LOW, t_{WP} must be greater than $t_{WHZ}+t_{DW}$ to allow the I/O drivers to turn off and data to be placed on the bus.
4. During this period, I/O pins are in the output state, and input signals must not be applied.
5. If the CE# LOW transition occurs simultaneously with or after WE# LOW transition, the outputs remain in a high impedance state.
6. t_{OW} and t_{WHZ} are specified with $C_L=5pF$. Transition is measured $\pm 500mV$ from steady state.

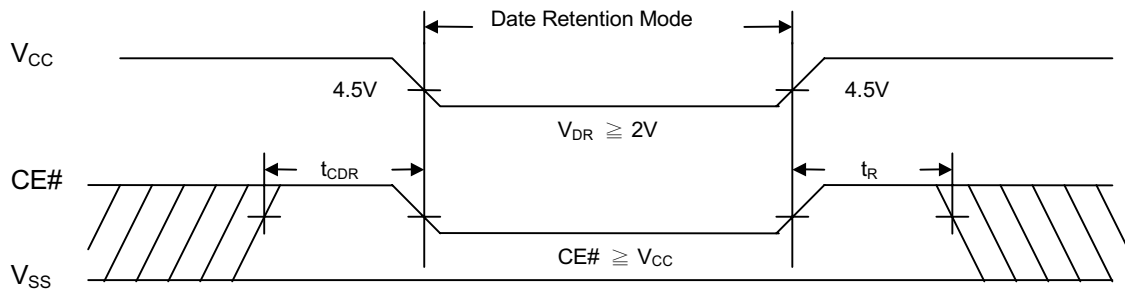


DATA RETENTION CHARACTERISTICS (TA = 0°C to 70°C)

PARAMETER	SYMBOL	TEST CONDITION	MIN.	TYP.	MAX.	UNIT	
Vcc for Data Retention	V _{DR}	CE# ≥ V _{CC} -0.2V	2.0	-	5.5	V	
Data Retention Current	I _{DR}	V _{CC} =3V	- L	-	1	50	μA
		CE# ≥ V _{CC} -0.2V	- LL	-	0.5	20	μA
Chip Disable to Data Retention Time	t _{CDR}	See Data Retention Waveforms (below)	0	-	-	ns	
Recovery Time	t _R		t _{RC} *	-	-	ns	

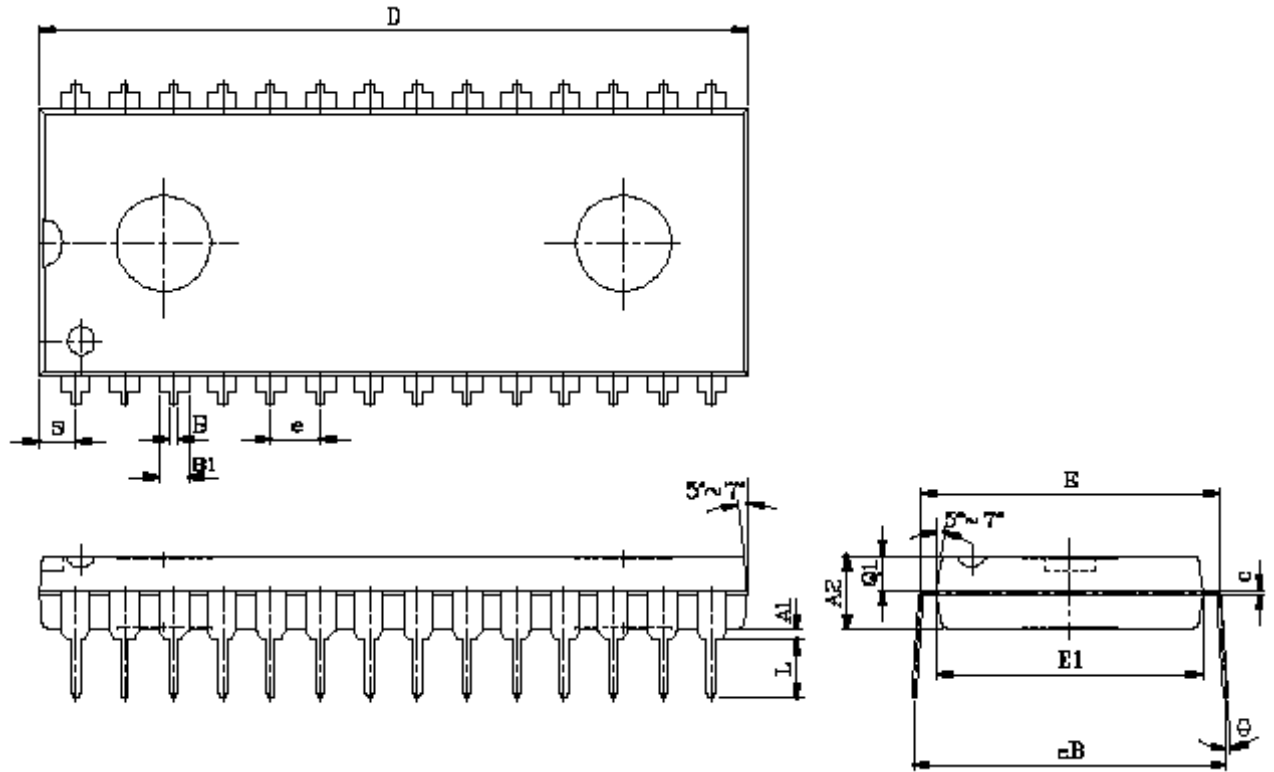
t_{RC}* = Read Cycle Time

DATA RETENTION WAVEFORM





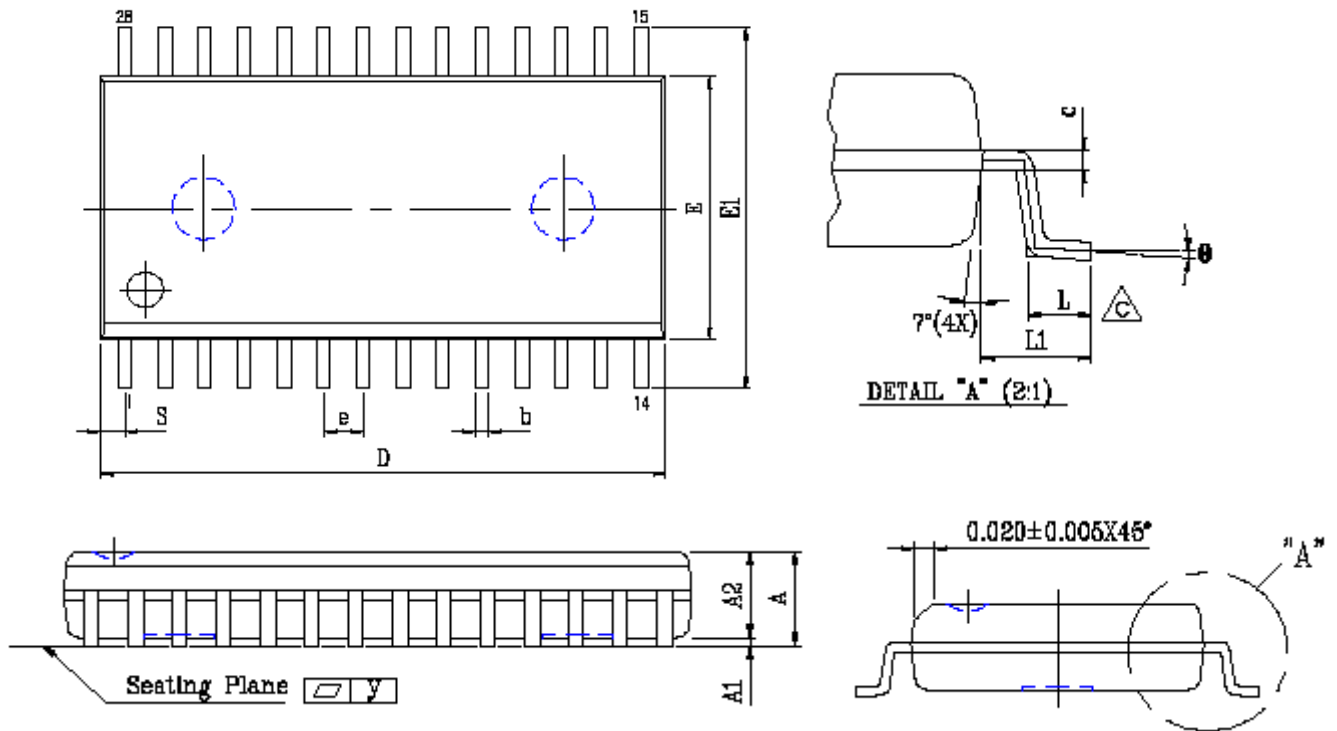
PACKAGE OUTLINE DIMENSION
28 pin 600 mil PDIP Package Outline Dimension



SYMBOL	UNIT	INCH(BASE)	MM(REF)
A1		0.010 (MIN)	0.254 (MIN)
A2		0.150± 0.005	3.810± 0.127
B		0.020 (MAX)	0.508(MAX)
B1		0.055 (MAX)	1.397(MAX)
c		0.012 (MAX)	0.304 (MAX)
D		1.430 (MAX)	36.322 (MAX)
E		0.625 (MAX)	15.87 (MAX)
E1		0.52 (MAX)	13.208 (MAX)
e		0.100 (TYP)	2.540(TYP)
eB		0.6 (TYP)	15.24 (TYP)
L		0.180(MAX)	4.572(MAX)
S		0.06 (MAX)	1.524 (MAX)
Q1		0.08(MAX)	2.032(MAX)
θ		15°(MAX)	15°(MAX)



28 pin 330 mil SOP Package Outline Dimension

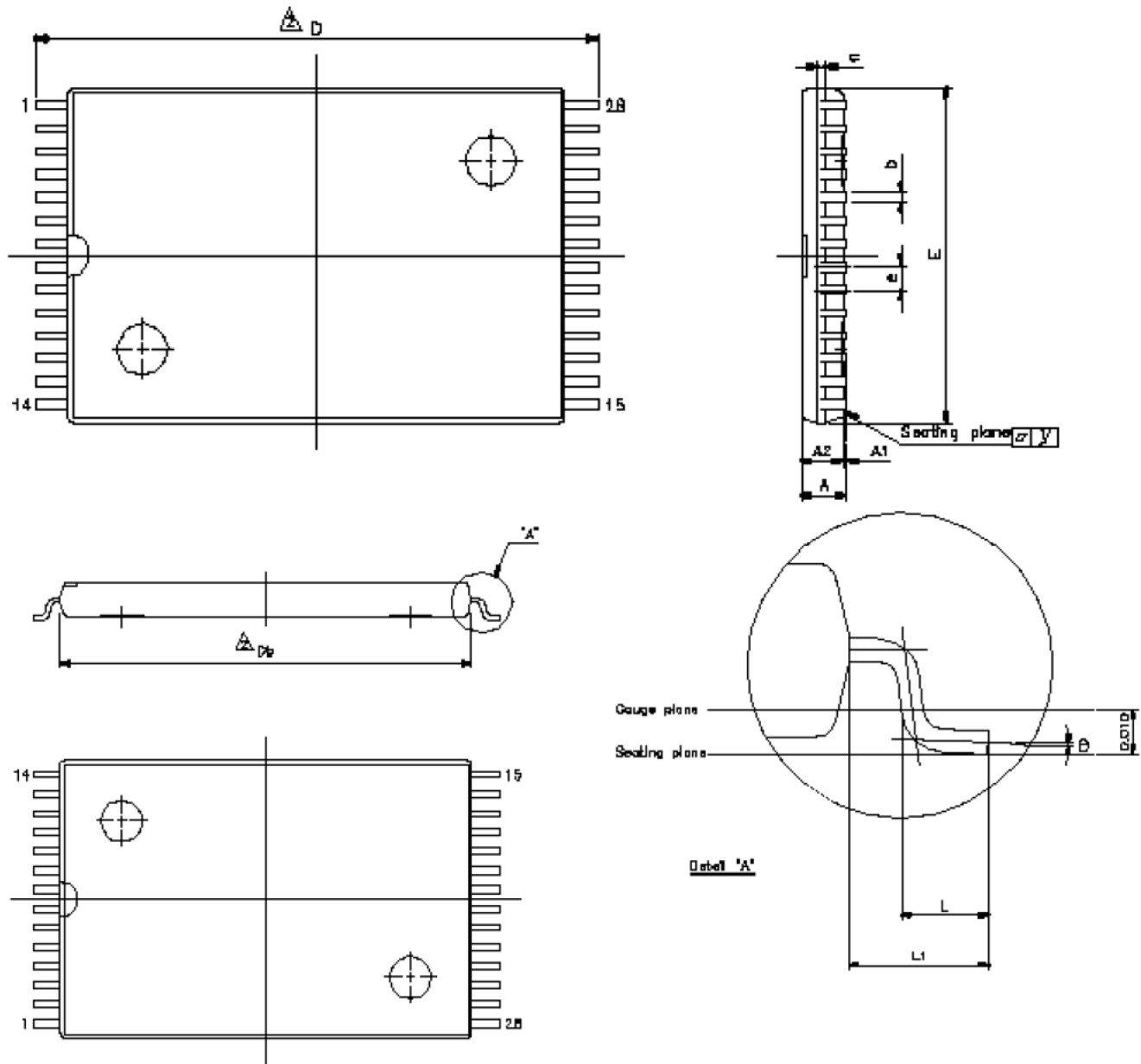


SYMBOL \ UNIT	INCH(BASE)	MM(REF)
A	0.120 (MAX)	3.048 (MAX)
A1	0.002(MIN)	0.05(MIN)
A2	0.098± 0.005	2.489± 0.127
b	0.015 (MIN) 0.020 (MAX)	0.38 (MIN) 0.50 (MAX)
c	0.010 (TYP)	0.254(TYP)
D	0.728 (MAX)	18.491 (MAX)
E	0.350 (MAX)	8.890 (MAX)
E1	0.465± 0.012	11.811± 0.305
e	0.050 (TYP)	1.270(TYP)
L	0.05 (MAX)	1.270 (MAX)
L1	0.067± 0.008	1.702± 0.203
S	0.047 (MAX)	1.194 (MAX)
y	0.003(MAX)	0.076(MAX)
θ	0°~10°	0°~10°





28 pin 8x13.4mm TSOP-I Package Outline Dimension



Note :
 E dimension is not including end flash
 The total of both sides' end flash is
 Not above 0.3mm.

SYMBOL	UNIT	INCH(BASE)	MM(REF)
A		0.047 (MAX)	1.20 (MAX)
A1		0.004± 0.002	0.10± 0.05
A2		0.039± 0.002	1.00± 0.05
b		0.006 (TYP)	0.15(TYP)
c		0.010 (TYP)	0.254(TYP)
Db		0.465± 0.004	11.80± 0.10
E		0.315± 0.004	8.00± 0.10
e		0.022 (TYP)	0.55(TYP)
D		0.528± 0.008	13.40± 0.20
L		0.020± 0.004	0.50± 0.10
L1		0.0315± 0.004	0.80± 0.10
y		0.08(MAX)	0.003(MAX)
θ		0°~5°	0°~5°

**ORDERING INFORMATION**

PART NO.	ACCESS TIME (ns)	STANDBY CURRENT (μA)	PACKAGE
UT62256PC-70	70	5mA	28PIN PDIP
UT62256PC-70L	70	100 μ A	28PIN PDIP
UT62256PC-70LL	70	50 μ A	28PIN PDIP
UT62256SC-35	35	5mA	28PIN SOP
UT62256SC-35L	35	100 μ A	28PIN SOP
UT62256SC-35LL	35	50 μ A	28PIN SOP
UT62256SC-70	70	5mA	28PIN SOP
UT62256SC-70L	70	100 μ A	28PIN SOP
UT62256SC-70LL	70	50 μ A	28PIN SOP
UT62256LS-35L	35	100 μ A	28PIN STOP-I
UT62256LS-35LL	35	50 μ A	28PIN STOP-I
UT62256LS-70L	70	100 μ A	28PIN STOP-I
UT62256LS-70LL	70	50 μ A	28PIN STOP-I