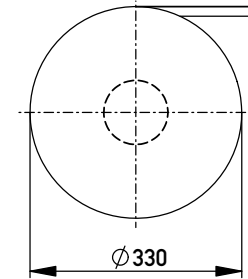
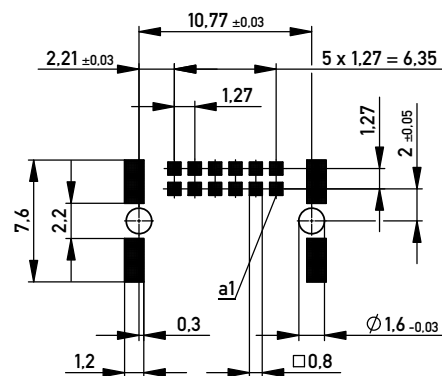


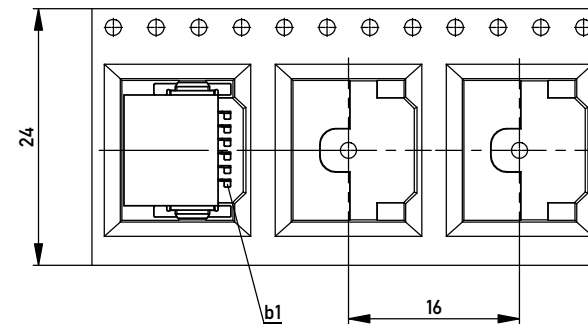
Verpackt im Gurt nach DIN IEC 60286-3  
*Tape on Reel Packaging according to DIN IEC 60286-3*  
 Verpackungseinheit: 560 Stück  
*Packaging unit: 560 pcs*



**Leiterplatten-Layout Vorschlag für SMT**  
*PCB-Layout Proposal for SMT*



**Abspulrichtung - Reel off Direction** →



BA7-03 - Standard Bauhöhe  
 type7-03 - Standard Assembly Height

Information:		Tolerances	All Dimensions in mm	Scale	3:1
All rights reserved. Only for Information. To ensure that this is the latest version of this drawing, please contact one of the ERNI companies before using.		Subject to modification without prior notice. Drawing will not be updated.		Designation	
		www.ERNI.com		Messerl. SMC-B 12-SMD-BA7-03 Male SMC-B 12-SMD-type7-03	
e	25.06.2015			154763	I
Index	Date				A3
				Class	SMCB

Copyright by ERNI GmbH  
 Proprietary notice pursuant to ISO 9006 to be observed.

# Mouser Electronics

Authorized Distributor

Click to View Pricing, Inventory, Delivery & Lifecycle Information:

[ERNI Electronics:](#)

[154763](#)