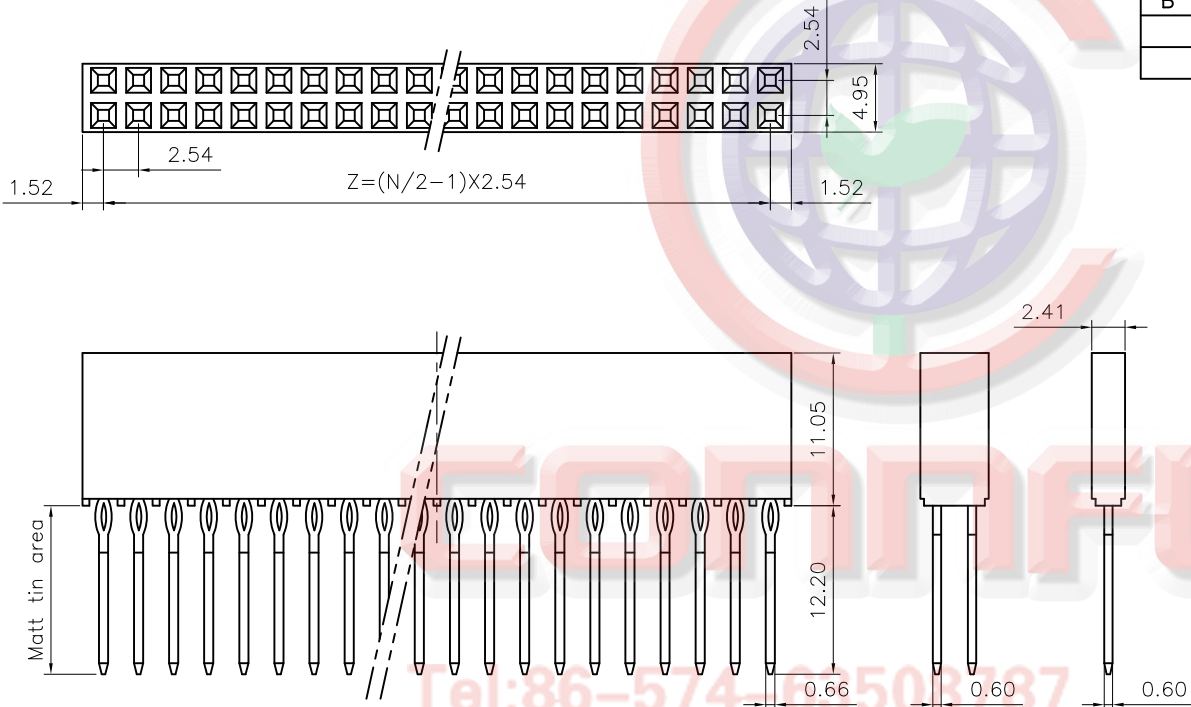


| REV. | DESCRIPTION | DRAWN | CHECKED | APPROVED |
|------|--------------|---------------|---------|---------------|
| A | NEW RELEASE | LJC 04/07/09' | | LJC 04/07/09' |
| B | ADD P/N CODE | JLZ 11/24/14' | | |
| | | | | |



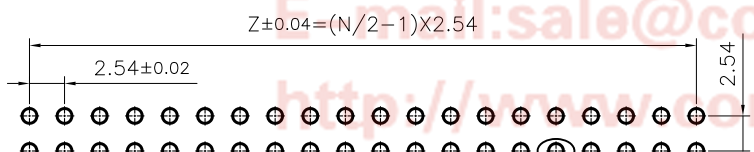
- NOTES:
- Material:
Insulator: PBT With glass fiber. UL94 V-0.
Contact: Copper alloy.
 - Electrical performance
Current rating: 1.9A.
Contact resistance: 20mΩ maximum.
Insulation resistance: 1000MΩ minimum.
Dielectric withstanding voltage: 500V AC(r.m.s) per 60s.
 - Environment performance:
Temperature range: -55°C~+125°C.
 - Mechanical performance:
Mating force: 150g per pin maximum.
Withdrawal force: 30g per pin minimum.
Press-In force: 8Kgf per maximum.
 - Recommend PCB thickness: 1.6mm
 - Product number code:

PC104-003 - XX X X

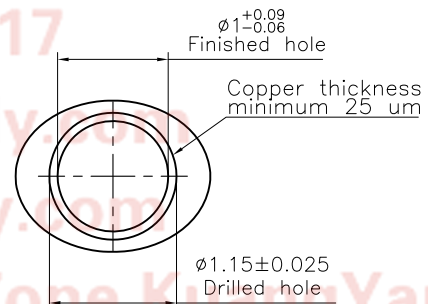
Contact plating:
1: Selective 10u" gold(contact area)
3: Selective 30u" gold(contact area)
6: Full Matt Tin(General Mode)

Color:
B: Black
A: Gray

No. of positions: (B)
1*2 ~ 1*50
2*2 ~ 2*50



Recommend PCB layout



Tel:86-574-63508187
Fax:86-574-63510817
E-mail:sale@connfly.com
<http://www.connfly.com>
Add:East Industry Zone Kuaing Yan
Town Cixi Ningbo China
P.C:315333

| GENERAL TOLERANCE | | ANGLE TOLERANCE | |
|-------------------|-------|-----------------|-----|
| X. | ±0.60 | X. | ±5° |
| .X | ±0.38 | .X | ±3° |
| .XX | ±0.25 | .XX | ±2° |

| DRAWING TYPE | CUSTOMER | | |
|--------------|--------------------|-------|--------|
| SCALE | 1:1 | SHEET | 1 OF 1 |
| DRAWING NO. | C-PC104-003-XXXX-B | | |

| PROJECTION | TITLE | PC/104 Stack V/T Type | |
|------------|-------|-----------------------|------------------|
| | | SERIES | PC104-003 SERIES |

晨翔电子有限公司
CONNFLY CONNFLY ELECTRONIC CO. LTD