

|   |   |  |
|---|---|--|
|  | <b>兴化市悦馨电子有限公司</b><br><b>样品承认书</b><br><i>Specifications</i> | <a href="http://www.xhyxdz.com">http://www.xhyxdz.com</a><br>Mail: anna@xhyxdz.com<br>Tel: +86-523-83722059<br>Fax: +86-523-83722259 |
|   | 地址: 江苏省兴化市陈堡镇工业园区   | 页码 PAGE: 1/5   |

|                              |                                  |
|------------------------------|----------------------------------|
| <b>客户名称</b><br>Customer Name |                                  |
| <b>品名</b><br>Variety         | magnetic buzzer (within circuit) |
| <b>型号</b><br>Part No         | YX-YT12075/YT12D                 |
| <b>样品日期</b><br>Sample Date   |                                  |

### 客户承认签署

|                      |                     |                      |
|----------------------|---------------------|----------------------|
| <b>签定结果:</b>         |                     |                      |
| 核准/ <i>Approved:</i> | 审核/ <i>Checked:</i> | 经办/ <i>Designed:</i> |
|                      |                     |                      |

### 供应商确认签署

|                      |                     |                      |
|----------------------|---------------------|----------------------|
| 核准/ <i>Approved:</i> | 审核/ <i>Checked:</i> | 经办/ <i>Designed:</i> |
| 王明娟                  | 时卫玲                 | 朱素平                  |

**【 承认后请签回一份! Thank you very much! 】**



# 兴化市悦馨电子有限公司

## 样品承认书

### Specifications

http://www.xhyxdz.com  
 Mail: anna@xhyxdz.com  
 Tel: +86-523-83722059  
 Fax: +86-523-83722259

地址：江苏省兴化市陈堡镇工业园区

页码 PAGE: 2/5

**Part No: YX-YT12075/YT12D**

### 性能参数 Electrical Characteristics

| Rated Voltage(VDC)          | 1.5        | 3   | 5   | 12   |
|-----------------------------|------------|-----|-----|------|
| Operating Voltage (VDC)     | 1~3        | 2~5 | 4~8 | 8~14 |
| * Rated Current (m A)       | ≤20        | ≤20 | ≤20 | ≤30  |
| * Sound Output at 10cm (dB) | ≥75        | ≥80 | ≥85 | ≥90  |
| Resonant Frequency (Hz)     | 2700±300   |     |     |      |
| Tone                        | Continuous |     |     |      |
| Operating Temperature (°C)  | -30~+85    |     |     |      |
| Storage Temperature (°C)    | -40~+85    |     |     |      |
| Weight ( g )                | 2.0        |     |     |      |
| Material                    | PPO        |     |     |      |

Environmental Protection Regulation

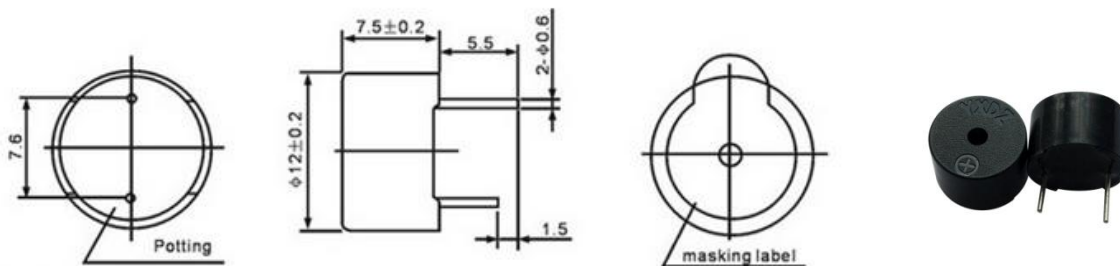
RoHS

带\*号指标需要在额定电压下测试 \*Applying rated voltage

### 外观尺寸 Appearance Drawing

(单位: 毫米) (UNIT: mm)

未标注公差尺寸按±0.5mm Tolerance: ±0.5mm Except Specified





兴化市悦馨电子有限公司

样品承认书

Specifications

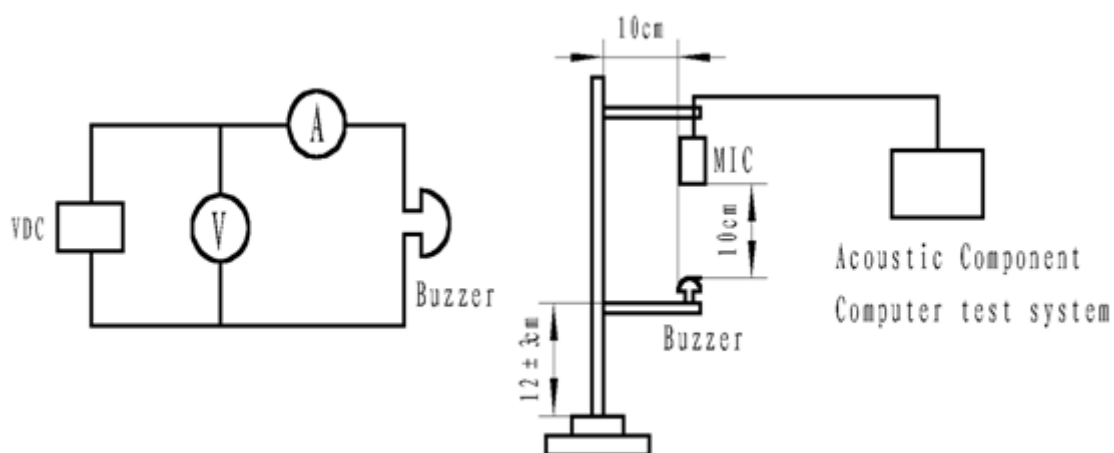
http://www.xhyxdz.com  
 Mail: anna@xhyxdz.com  
 Tel: +86-523-83722059  
 Fax: +86-523-83722259

地址：江苏省兴化市陈堡镇工业园区

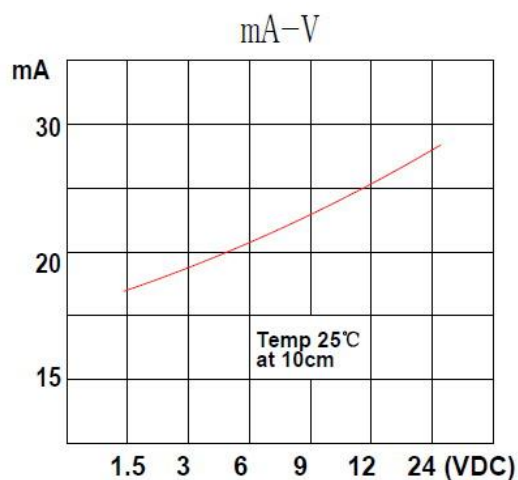
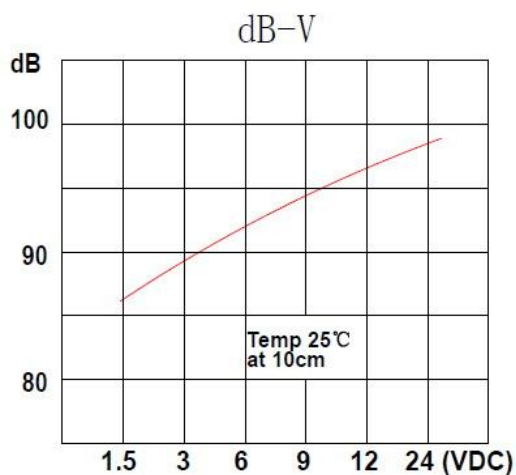
页码 PAGE: 3/5

Part No: YX-YT12075/YT12D

测试方法 TESTING METHOD



频响曲线 FREQUENCY RESPONSE





# 兴化市悦馨电子有限公司

## 样品承认书

### Specifications

http://www.xhyxdz.com  
 Mail: anna@xhyxdz.com  
 Tel: +86-523-83722059  
 Fax: +86-523-83722259

地址: 江苏省兴化市陈堡镇工业园区

页码 PAGE: 4/5

### Part No: YX-YT12075/YT12D

#### 可靠性测试 RELIABLY TEST

| NO       | 项目 ITEM                             | 测试条件<br>TESTING CONDITION  | 试验后要求<br>VARIANCE AFTER TEST   |
|----------|-------------------------------------|--|--|
| 1        | 湿热试验<br>Humidity                    | 蜂鸣器置于温度 $40 \pm 2^\circ\text{C}$ , 湿度 $93(+2/-3)\%RH$ 试验箱中, 96 小时后, 常温下 2 小时后测试  | <p>After test(1~8item), the Buzzer S.P.L . difference shall be within <math>\pm 10\text{dB}</math>, Frequency difference shall be within <math>\pm 0.5\text{KHz}</math>. and the appearance not exist any change to be harmful to normal operation(e.g. cracks, rusts, damages and especially distortion).</p> <p>在 1-8 项试验后, 蜂鸣器的声压变化值在 <math>\pm 10\text{dB}</math> 之内, 频率变化在 <math>\pm 0.5\text{KHz}</math> 之内。外观无变化(例如: 开裂、生锈、损伤、变形等现象)。</p> |
|          |                                     | $40 \pm 2^\circ\text{C}$ , $93(+2/-3)\%RH$ , 96HRS   |  |
| 2        | 高温测试<br>High temp.                  | 蜂鸣器放置在 $+80 \pm 2^\circ\text{C}$ 中, 96 小时后测试性能指标   |  |
|          |                                     | $+80 \pm 2^\circ\text{C}$ , 96HRS  |  |
| 3        | 低温测试<br>Low temp.                   | 将蜂鸣器放置在 $-30 \pm 2^\circ\text{C}$ 中, 96 小时后测试性能指标  |  |
|          |                                     | $-30 \pm 2^\circ\text{C}$ , 96HRS  |  |
| 4        | 温度循环测试<br>Temperature Cycling       | 蜂鸣器在 $-30^\circ\text{C}$ 暴露 30min, 在 $80^\circ\text{C}$ 暴露 30min, 五次循环后, 试验后在常温下恢复 2 小时  |  |
|          |                                     | $-30 \pm 2^\circ\text{C}$ , 30minutes  |  |
|          |                                     | room temp. 15 minutes  |  |
|          |                                     | $+80 \pm 2^\circ\text{C}$ , 30 minutes   |  |
|          |                                     | room temp. 15 minutes  |  |
| 5 cycles |                                     |  |  |
| 5        | 跌落测试<br>Drop test                   | 跌落高度 80cm, 6 个不同方向整箱跌落到水泥地, 试验后进行测试  |  |
|          |                                     | packed in cartons dropped in 6 directions from height of 80cm to the concrete floor  |  |
| 6        | 振动测试<br>Vibration test              | 将蜂鸣器置于 10~30Hz、振幅在 1.5mm、X Y Z 轴线方向上振动 2 小时后测试   |  |
|          |                                     | test from the directions of X Y Z for 2 hours<br>To-and-fro. sweep time (from 10 to 30Hz and then from 30 to 10Hz ) under single amplitude of 1.5mm is 1 minute. |  |
| 7        | 焊锡耐热性测试<br>Solder heat resistance   | 插针浸入松香 5 秒, 然后再浸入 $+260 \pm 5^\circ\text{C}$ 的锡炉中 $3 \pm 0.5$ 秒, 插针表面应覆盖一层光滑明亮的焊料。   |  |
|          |                                     | Lead terminals are immersed in rosin for 5 seconds and then immersed in solder bath of $+260 \pm 5^\circ\text{C}$ for $3 \pm 0.5$ seconds.                       |  |
| 8        | Terminal Strength Pulling<br>插针强度测试 | 插针应承受 9.8N 拉力, 拉力时间 10 秒, 插针无松动和脱落等现象  |  |
|          |                                     | The force 10 seconds of 9.8N is applied to each terminal in axial direction  |  |



兴化市悦馨电子有限公司

样品承认书

Specifications

http://www.xhyxdz.com  
Mail: anna@xhyxdz.com  
Tel: +86-523-83722059  
Fax: +86-523-83722259

地址: 江苏省兴化市陈堡镇工业园区

页码 PAGE: 5/5

Part No: YX-YT12075/YT12D

包装方式 PACKING METHOD



Qty:100 pcs



Qty:1000 pcs



Qty:6000 pcs



- 1.1000pcs per box
- 2.6boxes per carton
- 3.Total 6000pcs per carton
- 4.Volume:50\*42\*27cm