

SPECIFICATION FOR APPROVAL

Part name: Speaker

Co Model(pssz):YD45B16R

Model(customer) :

Doc.number:

Submit date:2017-04-20

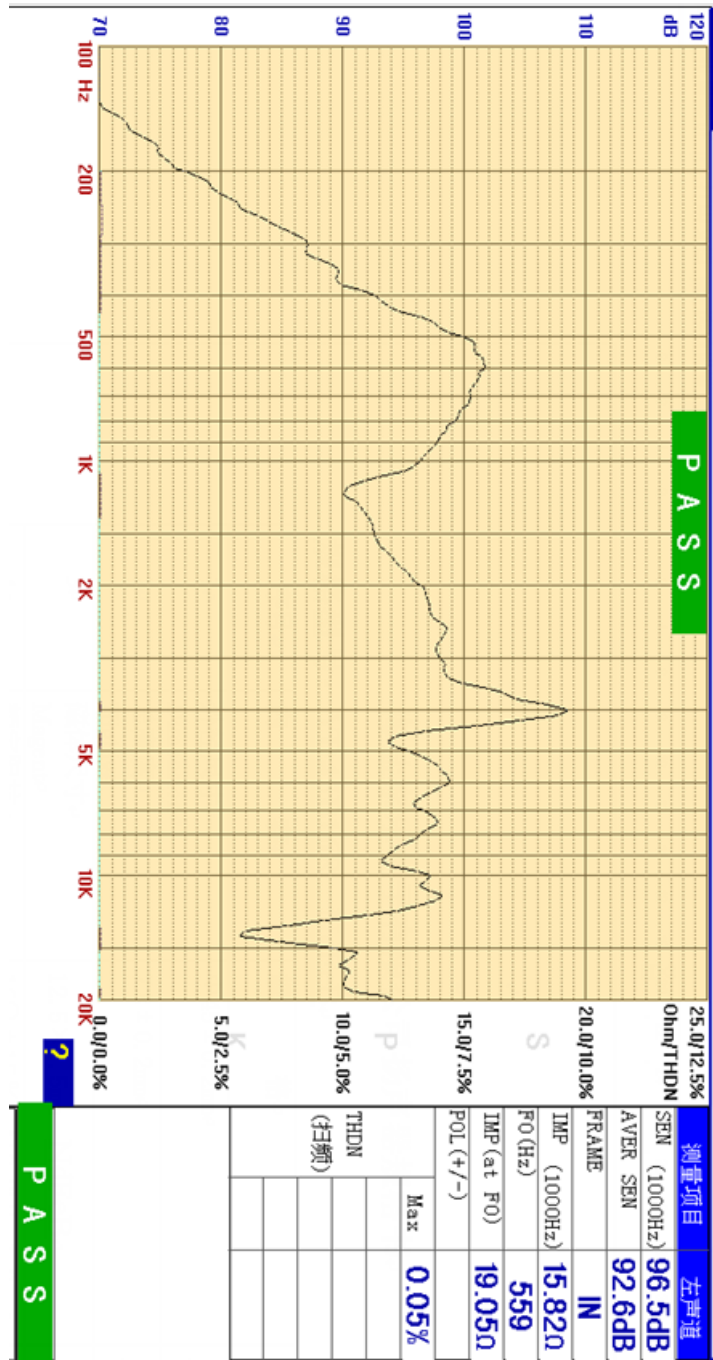
PREPARED	CHECKED	APPROVED

DATE	
PREPARED BY	
AUTHORIZED BY	

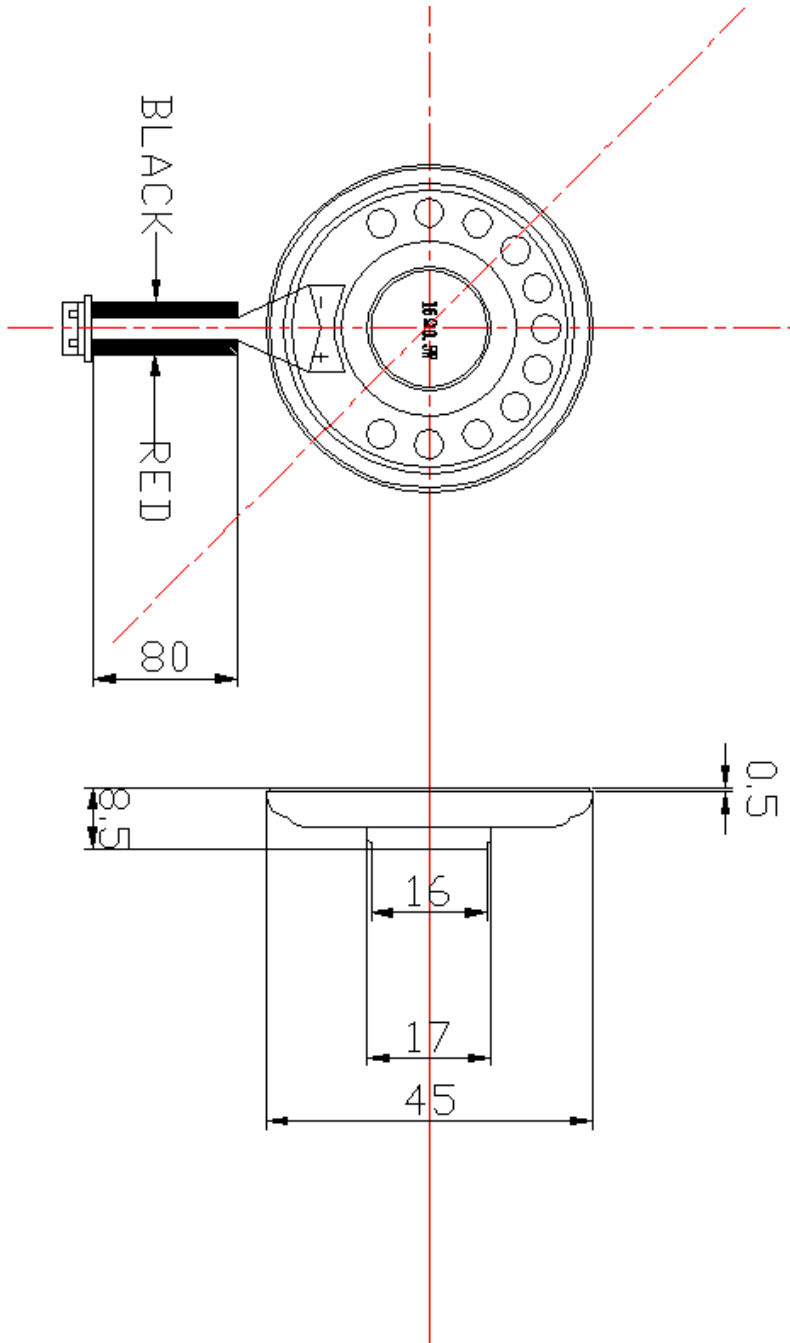
A. SPECIFICATION 规格

NO	Item	Specification	Condition
1	外径尺寸 Dimension	45 mm±0.3	
2	总高度 Highly	8.5mm±0.5	
3	磁体尺寸 Magent	12.5×1.5mm N35	
4	额定阻抗 Impedance	16Ω±15% At0.8kHz 1.0V	
5	额定功率 Power Rating	0. 5W	
6	谐振频率 The resonant frequency	559±20%	
7	灵敏度 Sensitivity	92±3dB At1W/1M	
8	纯音检听 Pure inspection	2.38V.	
9	安装孔数量及孔径 Install the hole Installing hole diameter	——	
10	安装孔直径 Installing hole diameter	——	
11	材质 material	Metal	
12	特征描述 Description	Black Cpvc cone	
11			

B.TYPICAL FREQUENCY RESPONSE CURVE 频响曲线



C. APPEARANCE DRAWING 外观尺寸



D. MECHANICAL CHARACTERISTICS 机械特性

NO.	Item	Test condition	Evaluation standard
1	Solderability 焊锡附着性 (Connector excepted) 端子类不适用此项	Stripped wires of lesd wires are immersed in rosin for 5 seconds and then immersed in solder bath of +270±5°C for 3±0.5 second. 裸线部分浸入松香溶液5秒后，再浸入+270±5°C融焊锡槽3±0.5秒。	90%min.stripped wires shall be wet with solder.(Except the edge of terminal) 浸入裸线部分附着焊锡90%以上（末端断面不算）
2	Lead Wire Pull Strength 线性拉力	The pull force shall be applied to double lead wire;Horizontal 3.0(0.306kg)for 30seconds,Vertical 2.0N(0.204kg)for30 seconds. 双线材水平方向施以3.0N（0.306kg）的力量，垂直方向施以2.0（0.204kg）的力，各30秒。	No damage and cutting off. 线材不松动，不脱落
3	Vibration Test 振动测试	Speaker shall be measured after being applied vibration of amplitude of 1.5mm with 10 to 55Hz band of vibration frequency to each of 3 perpendicular directions for 2 hours. 振动周波数10-55Hz，全振幅1.5mm于X.Y.Z.三个方向，各2小时。	No obstacle to be harmful to normal operation; Damages,cracks,rust and distortions, Should not be audible at 2.0V sine wave between F0-9KHz 测试后无任何障碍妨碍正常操作。且在输入2.0V正弦波从F0到20KHz之间无异常音（此栏依据各产品需求值变动）
4	Drop Test 落下测试	Drop the speakers contained in normal box onto the board 40mm thick 10 times from the height of 75cm. 将扬声器置于盒中，自75公分高度落在40mm木板上共10次。	

E. RELIABILITY TEST 可靠性测试

No	Item	Test conditions	Evaluation standard
1	Load test 连续负荷	0.25W noise is applied for 72 hours,at room temp 在室温下，输入0.5W，连续操作72小时	Being placed for 1hours at +25°C, speaker shall be measured. No obstade to be harmful to normal operation;damages,cracks,rusts ,etc,Should not be audible at 2.0Vsine wave between F0-9Khz.F0 should be within±3dB 经测试后，静置于+25°C（室温）环境中1小时后，测试无任何障碍妨碍正常操作，且在输入2.0V正弦波从F0到20KHz之间无异常音。 FO与原规格值相同输出音压变化量在±3dB内

TEST CONDITION.

Standard test condition: (a)Temperature:+5~+35°C (b)Humidity:45~85%

(c)Pressure:860~1060mbar

标准测试条件：（一）温度：+ 5 + 35°C~（b）湿度：45 ~ 85%（C）压力：860 ~ 1060mbar

Judgement test condition: (a)Temperature:+25±2°C (b)Humidity: 60~70%（

c)Pressure:860~1060mbar

争议时测试条件：（一）温度：+ 25±2°C（b）湿度：60 ~ 70%（C）压力：860 ~ 1060mbar