

# ORDER INFORMATION

## SPECIFICATIONS

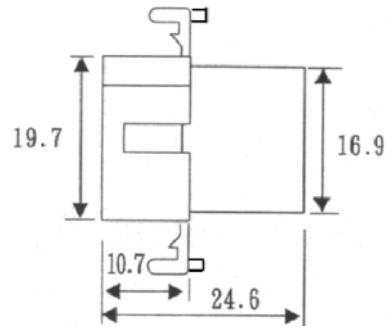
Insulation Resistance: 1000MΩ Min.  
 Dielectric Voltage: 1500V AC for one minute  
 Operation Temperature: -25°C to +85°C

## MATERIAL

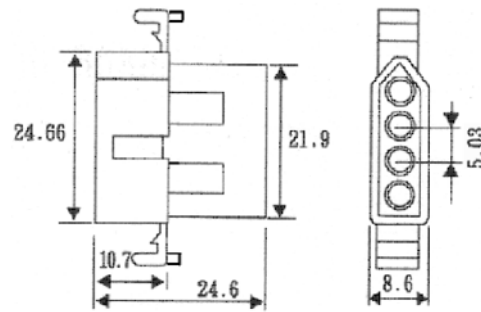
Insulator: Nylon 66, UL94V-2

**5 H 5 0 3 0 F X - 1 X X W B L 0 0 D 0 1**

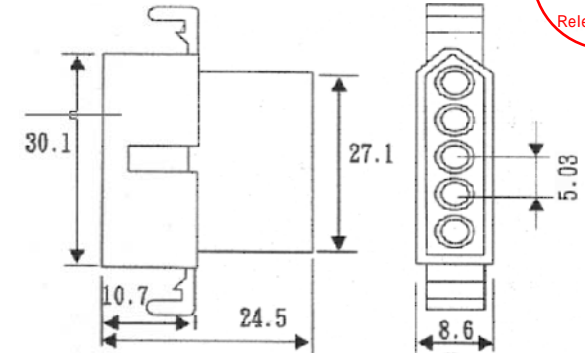
0:W/O Ear 1:With Ear	1:Single Row	No. of Contacts per row	W:Natural	B:Bag	RoHS
-------------------------	--------------	-------------------------	-----------	-------	------



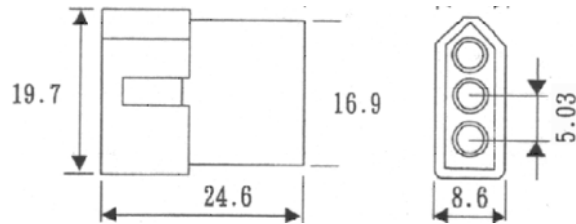
5H5030F1-103WBL00D01  
1\*3Pin With Ear



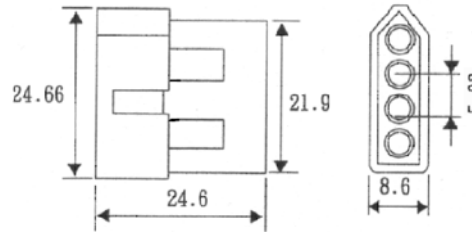
5H5030F1-104WBL00D01  
1\*4Pin With Ear



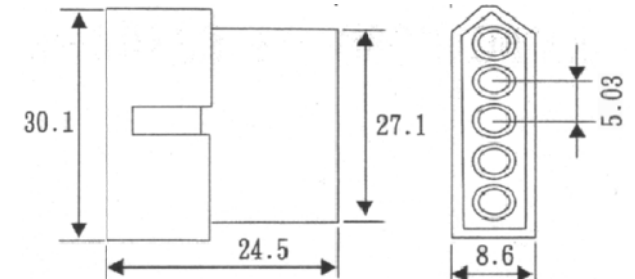
5H5030F1-105WBL00D01  
1\*5Pin With Ear



5H5030F0-103WBL00D01  
1\*3Pin W/O Ear



5H5030F0-104WBL00D01  
1\*4Pin W/O Ear



5H5030F0-105WBL00D01  
1\*5Pin W/O Ear

Old P/N: 5030H-X1XXW-L

REV.	ECN NO. OR DESCRIPTION	REVISED	DATE

 糧德精密有限公司 Amtek Technology Co., Ltd. TEL: 886-2-2260-6878 FAX: 886-2-2260-8030	品名 TITLE	5.03mm HOUSING WIRE SIDE			頁數 Page	1/1
	品號 PART NO.	5H5030FX-1XXWBL00D01			繪圖 DRAWN	Benson 2019/05/29
	圖號 DRAWING NO.	GW097-BS042	版本 REV.	A	核對 CHECKED	Josh 2019/05/29
	客戶品號 CUSTOMER P/N		比例 SCALE	None	承認 APPROVED	Josh 2019/05/29
	公差 TOLERANCE	.X ± 0.30 .XX ± 0.25	單位 UNIT	mm	THIRD ANGLE PROJECTION	