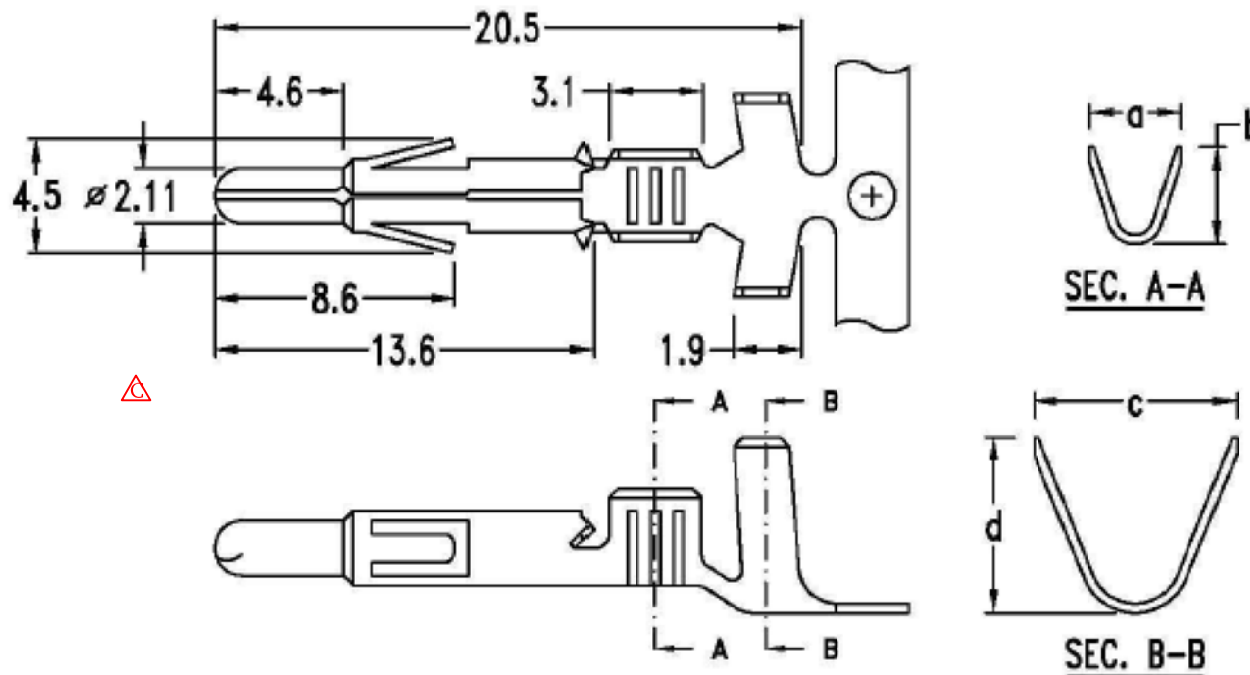


- Current rating: 13A △
- Voltage rating: 600V △
- Ambient temperature range: -55°C ~ 105°C



△ ( 1 ~ 5 circuits )



Note:

a:2.9 △

b:3.5

c:4.5±0.4

d:4.5±0.4

Ordering Information & Specifications

Part No.	Wire Range	Material	Finish
6350-MT-A-L	AWG#16-#20	Brass	Tin-plated
6350-MG-A-L	AWG#16-#20	Brass	Gold-plated

AREA	REV.	DESCRIPTION	DATE
<span style="color:red">△</span>	D	Revise the drawing	2016/04/18 Roy
<span style="color:red">△</span>	C	Revise the drawing	2016/04/12 Mia
<span style="color:red">△</span>	B	Revise the drawing	2016/03/17 Roy

糧德精密有限公司  
 Amtek Technology Co., Ltd.  
 TEL:886-2-2260-8878  
 FAX:886-2-2260-8030

品名 TITLE	6.35mm TERMINAL				
品號 PART NO.	6350-MT-A-L			日期 DATE	2010/04/07
圖號 DRAWING NO.	6350-MT-A-L	版本 REV.	D	繪圖 DRAWN	Sam
客戶品號 CUSTOMER P/N		比例 SCALE	FREE	核對 CHECKED	Sharron
公差 TOLERANCE	.X ±0.20 .XX ±0.15	單位 UNIT	mm	核准 APPROVED	James