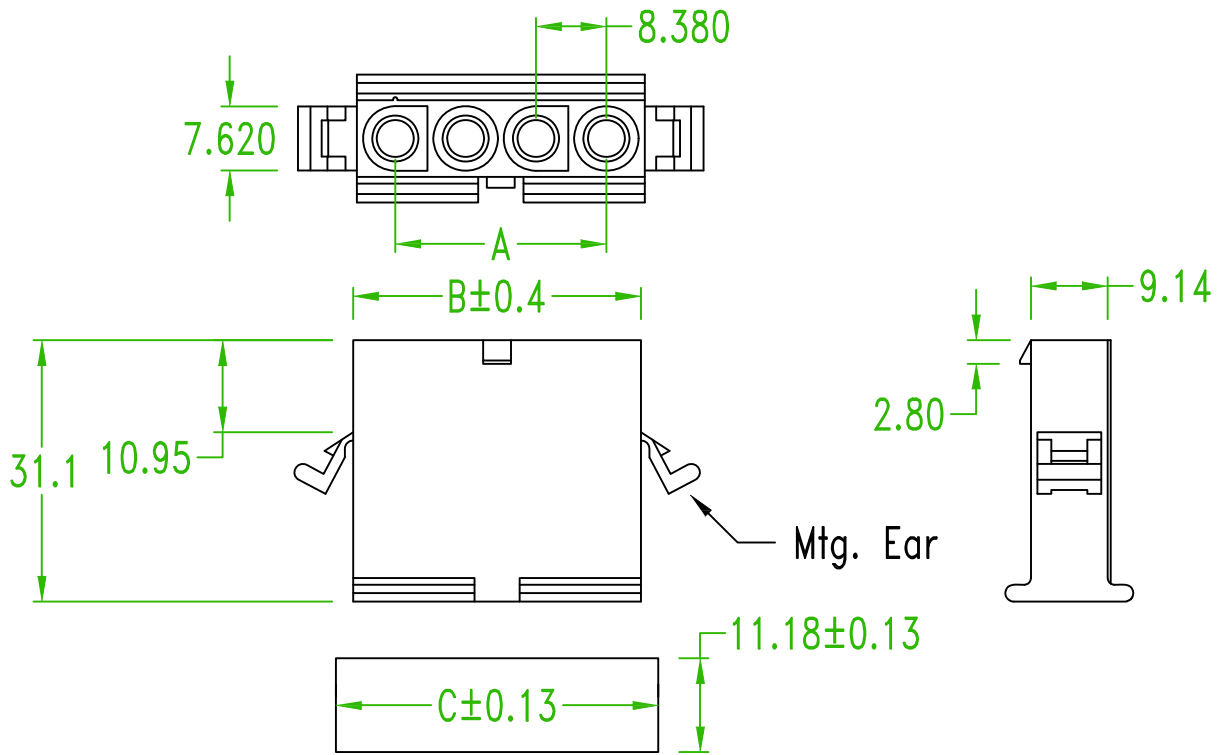
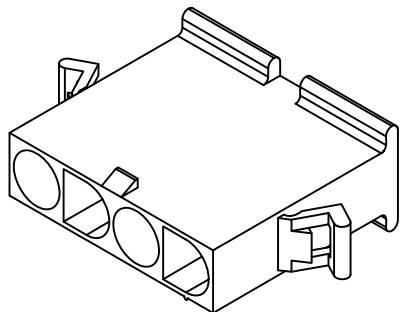
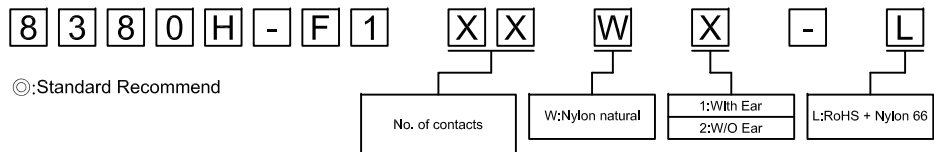


### Specifications

Current Rating: 20A AC,DC  
 Voltage Rating: 600V AC,DC  
 Temperature Range: -40°C ~ +105°C  
 Contact Resistance: 10mΩ Max  
 Withstanding Voltage: 1500V AC/minute  
 Material: Nylon 66,UL94V-2

### ORDER INFORMATION



Part No.	Dimensions		
	A	B	C
8380H-F101W-L	---	9.14	13.23
8380H-F102W-L	8.38	17.52	21.62
8380H-F103W-L	16.76	25.90	30.00
8380H-F104W-L	25.14	34.28	38.38

Recommended panel hole cutout

AREA	REV.	DESCRIPTION	DATE
△	B	Revised the Part No.:8380H-F1XXW-L ->8380H-F1XXWX-L	2012/08/28 Jeff

<p>Amtek Technology Co., Ltd.                  TEL:886-2-2268-8036                  FAX:886-2-2268-8035</p>	品名 TITLE	8.38mm HOUSING				
	品號 PART NO.	8380H-F1XXWX-L	△	日期 DATE	2010/08/10	
	圖號 DRAWING NO.		版本 REV.	A	繪圖 DRAWN	Joe
	客戶品號 CUSTOMER P/N		比例 SCALE	FREE	核對 CHECKED	Sinnys
	公差 TOLERANCE	.X ±0.40 .XX ±0.25	單位 UNIT	mm	核准 APPROVED	James