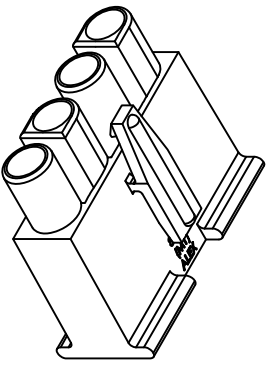


Specifications

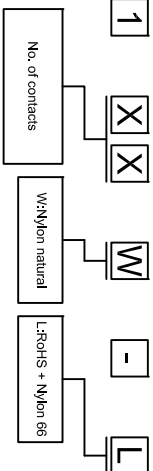
Current Rating: 20A AC,DC
 Voltage Rating: 600V AC,DC
 Temperature Range: -40°C ~ +105°C
 Contact Resistance: 10mΩ Max
 Withstanding Voltage: 1500V AC/minute
 Material: Nylon 66,UL94V-2



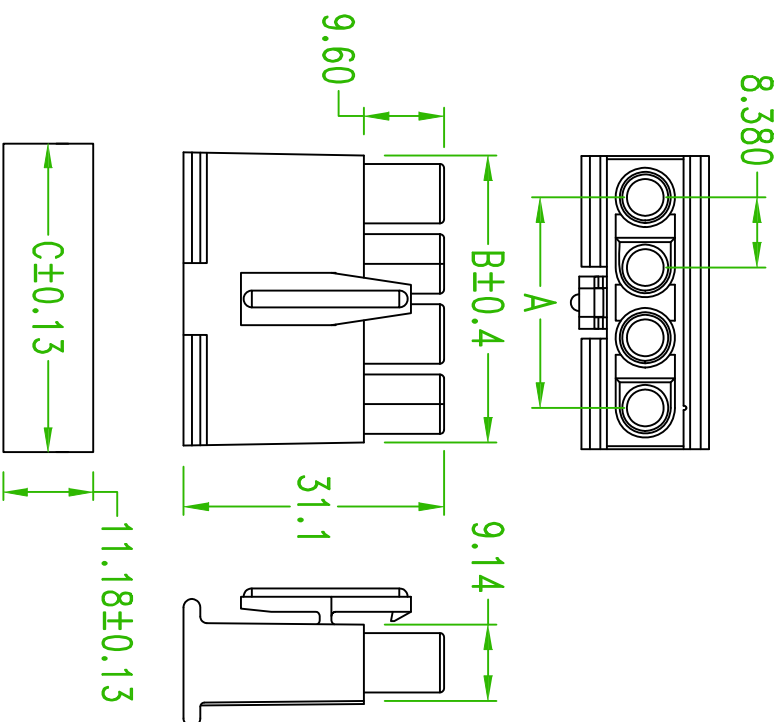
ORDER INFORMATION

8 3 8 0 H - M 1 X X W - L


◎:Standard Recommend



Part No.	Dimensions		
	A	B	C
8380H-M101W-L	---	9.14	13.23
8380H-M102W-L	8.38	17.52	21.62
8380H-M103W-L	16.76	25.90	30.00
8380H-M104W-L	25.14	34.28	38.38



Recommended panel hole cutout

 <p> 耀德企業有限公司 Amitek Technology Co., Ltd. TEL: 886-2-2686885 FAX: 886-2-2686885 </p>		<p>品名 TITLE</p> <p>品號 PART NO.</p> <p>圖號 DRAWING NO.</p> <p>客戶品號 CUSTOMER P/N</p> <p>公差 TOLERANCE</p>		<p>8.38mm HOUSING</p> <p>8380H-M1XXW-L</p> <p>版本 REV.</p> <p>比例 SCALE</p> <p>單位 UNIT</p> <p>mm</p>		<p>日期 DATE</p> <p>繪圖 DRAWN</p> <p>核對 CHECKED</p> <p>核准 APPROVED</p>	
				<p>2010/08/10</p> <p>Joe</p> <p>FREE</p> <p>James</p>			
AREA	REV.	DESCRIPTION	DATE				