

**SPECIFICATIONS**

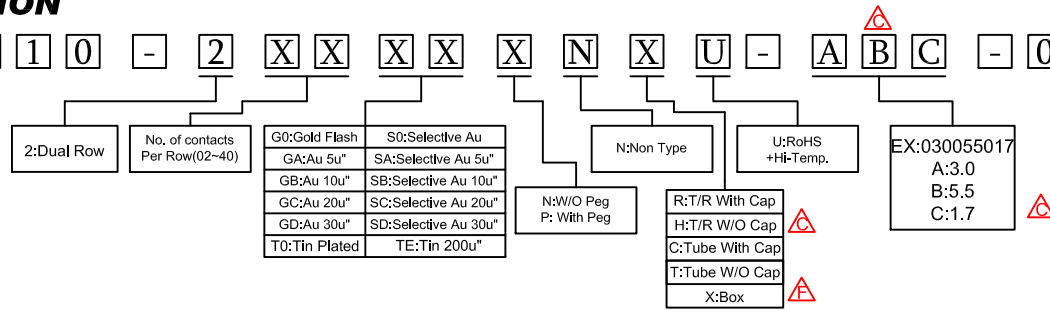
Current Rating: 1 AMP  
 Insulation Resistance: 1000MΩ Min.  
 Contact Resistance: 20mΩ Max.  
 Dielectric Voltage: 500V AC for one minute  
 Operation Temperature: -40°C to +105°C

**MATERIAL**

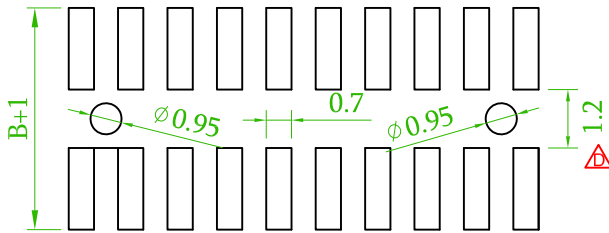
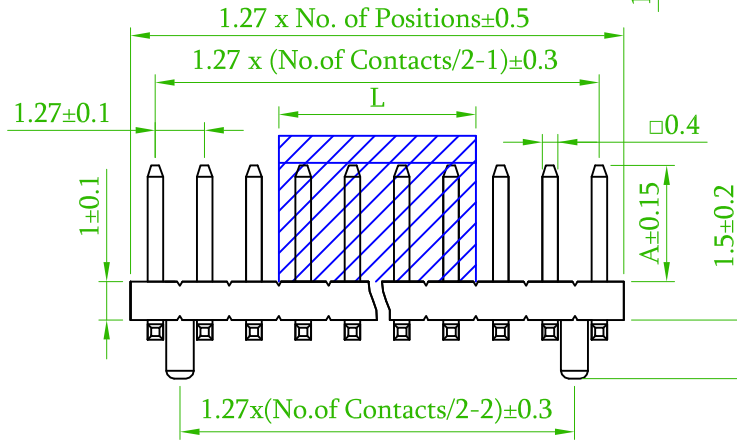
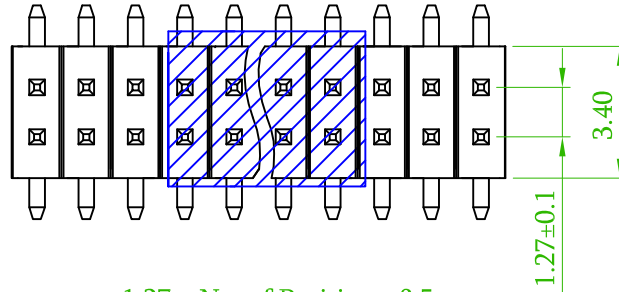
Insulator: Hi-Temp. Thermoplastic, UL94V-0, Black  
 Contact Pin: Copper Alloy

**ORDER INFORMATION**

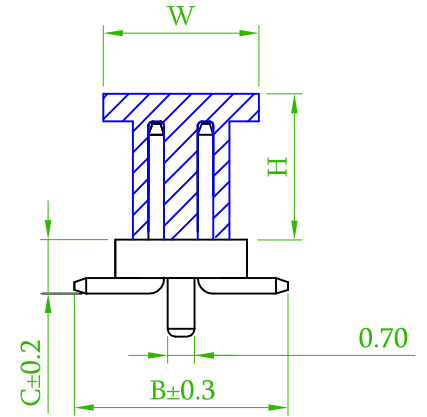
5 P H 3 M S A 1 0 - 2 X X X X X N X U - A B C - 0 0



CAP	L	W	H (Ref.)
≧ 2 x 2 Pin	5.08	4.0	3.75



Recommended PCB Layout  
 (PCB TOLERANCE ±0.1)



Old Part No. : PH3M10-2XX-U

<b>F</b>	Add the Package:Box	Roy	2018/07/20
<b>E</b>	ECN No. :171201, Revise the Cap.	Roy	2017/12/01
<b>D</b>	Modify P. C. B Layout	Gary	2017/03/20
<b>C</b>	Modify order information	Gary	2017/02/06
<b>B</b>	Revised the Drawing	Jeff	2016/09/13
REV.	ECN NO. OR DESCRIPTION	REVISED	DATE

糧德精密有限公司  
 Amtek Technology Co., Ltd.  
 TEL: 886-2-2260-6878  
 FAX: 886-2-2260-8030

品名 TITLE	PIN HEADER 1.27mm D/R V/T SMT TYPE				頁數 Page	1/1
品號 PART NO.	5PH3M10-2XXXXXXNXU -XXXXXXXXXX-00			繪圖 DRAWN	Joey 2016/08/31	
圖號 DRAWING NO.	GN016-GA279	版本 REV.	F	核對 CHECKED	Josh 2018/07/20	
客戶品號 CUSTOMER P/N		比例 SCALE	None	承認 APPROVED	Jason 2018/07/20	
公差 TOLERANCE	.X ± 0.25 .XX ± 0.20	單位 UNIT	mm	THIRD ANGLE PROJECTION		