

REV.	DESCRIPTION	DRAWN	CHECKED	APPROVED
A	NEW RELEASE	LJH 07/28/05'		

NOTES:

1. SPECIFICATIONS:

- 1.0 VOLTAGE RATING: 30V DC.
- 1.1 CONTACT CURRENT RATING: 1.5A MAX. PER PIN.
- 1.2 CONTACT RESISTANCE: 30 mΩ MAX.
- 1.3 DIELECTRIC WITHSTANDING VOLTAGE:
500V AC FOR 1 MINUTE.
- 1.4 INSULATION RESISTANCE: 1000MΩ MIN.
- 1.5 OPERATING TEMPERATURE: -40°C ~ +105°C.

2. PRODUCT NUMBER CODE:

DS1107 - X X X

CONTACT PLATED:

- 0: Selective Gold Flash
- C: 3u" Gold
- 3: 30u" Gold

SHELL PLATED:

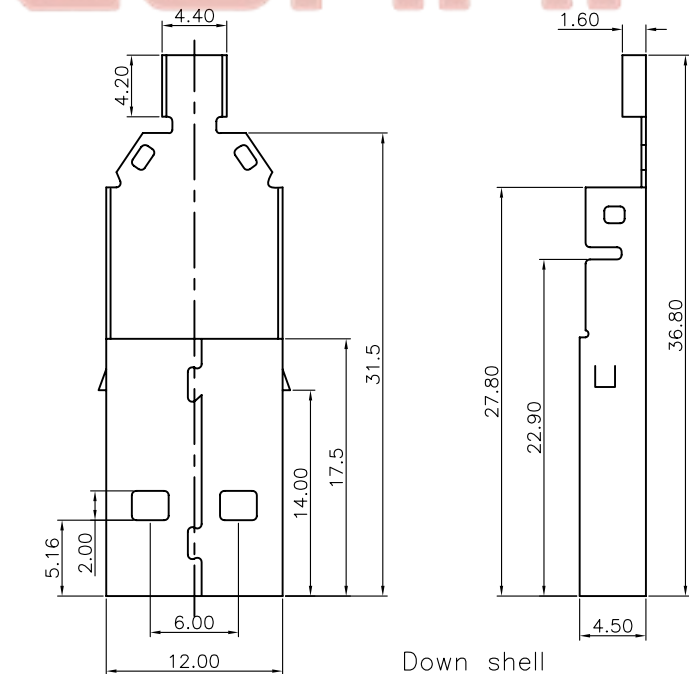
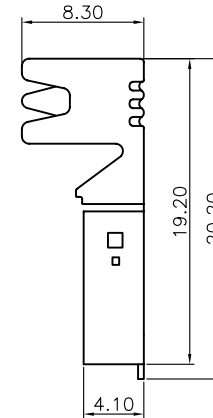
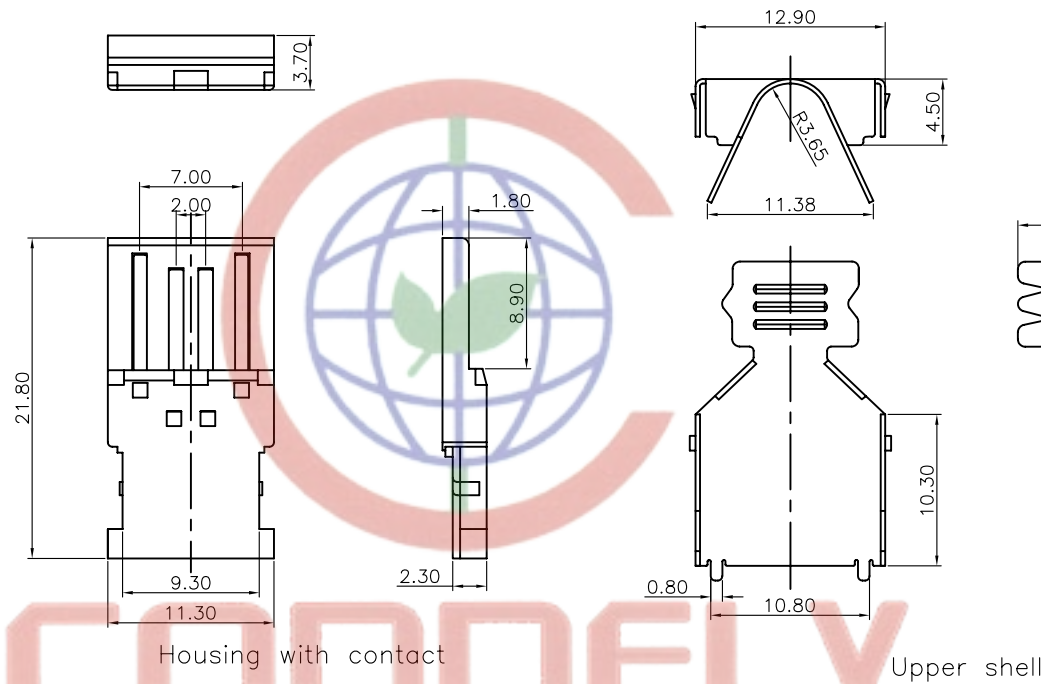
- N: Nickel
- 6: Tin

COLOR OF HOUSING:

- W: WHITE
- B: BLACK

PRODUCTS SERIES:

DS1107



GENERAL TOLERANCE		ANGLE TOLERANCE		PROJECTION	TITLE
X.	±0.60	X.	±5°		USB PLUG A TYPE SOLDER TYPE
.X	±0.38	.X	±3°	mm	
.XX	±0.25	.XX	±2°		
DRAWING TYPE		CUSTOMER		SHEET	SERIES
SCALE		1:1	SHEET	1 OF 1	DS1107
DRAWING NO.		C-DS1107-XXX			



晨翔电子有限公司

CONNFLY CONNFLY ELECTRONIC CO. LTD

Tel:86-574-63508787

Fax:86-574-63510817

E-mail:sale@zhenqin.com.cn

Http://www.connfly.com

Address: East Industry Zone KuaqiangYan

P.C:315333