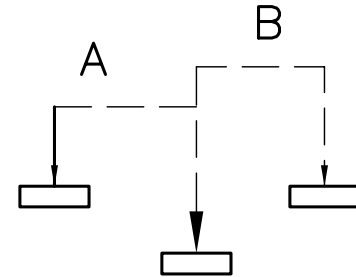
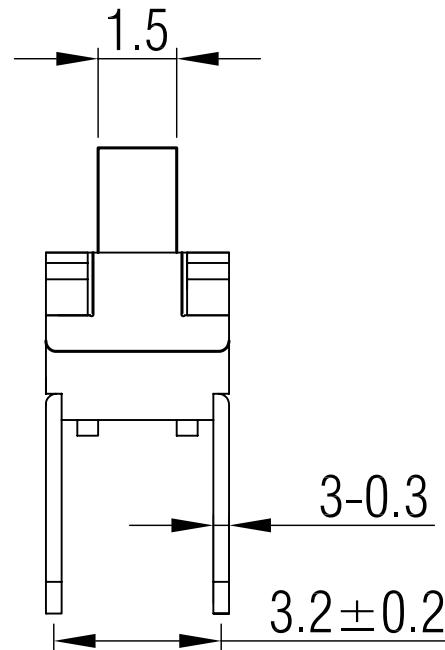
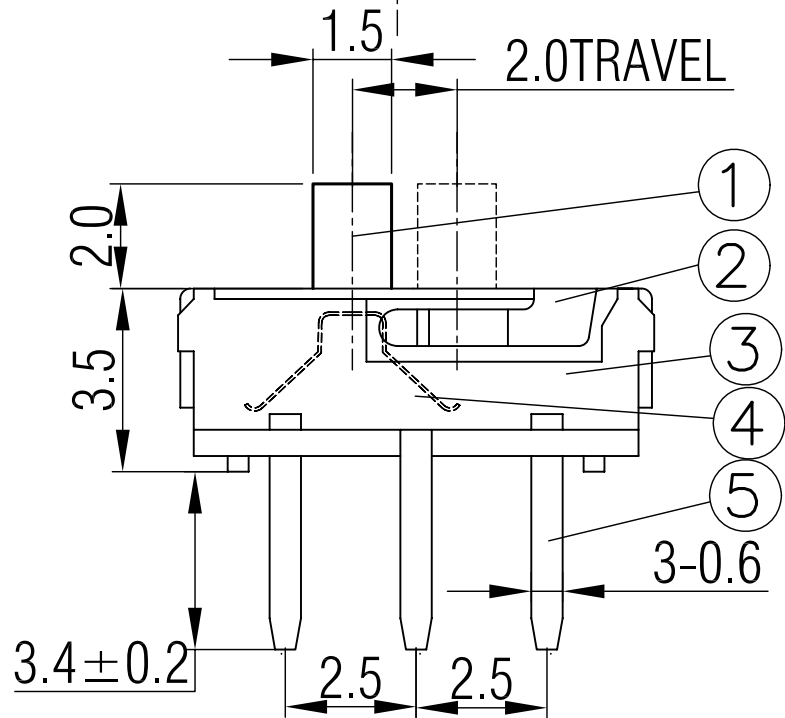


P.C.B LAYOUT DIMENSION

TOP VIEW



CIRCUIT



TITLE	TOGGLE SWITCH			DRAWN	李旺	TOLERANCE OTHERWISE UNLESS SPECIFIED		9				
PART NO.	L-KLS7-MSS-1250-W			CHECKED	戴胜春	UP TO 5	±0.05	8				
DRAW NO.				APPROVED	刘宜华	ABOVE 5 ~ 30	±0.1	7				
SCALE	4:1	UNIT	mm	DATE	18/11/2006	ABOVE 30 ~ 50	±0.15	6				
KLS ELECTRONIC CO., LTD						ANGLE	±3'	5	TERMINAL a,b&c	C2680	3	Ag
								4	CONTACT	C5210	1	Ag
								3	BOTTOM	PA66	1	BLACK
								2	COVER	SUS	1	NATURAL
								1	STEM	PA66	1	BLACK/BLUE/WHITE
						NO.	PARTS		MATERIAL		QTY.	FINISHING