

FA 20572 29 series

(205x205x72 mm)

Features

- Die-cast aluminum
- Glass reinforced thermoplastic UL94V-0
- Ball bearing
- Single phase induction capacitor motor, thermally protected
- Electrical connections: Terminals or lead wires
- Operating temp.: -20~+70 °C
- Life time: 60000 hrs@25 °C
- Weight: 2.1 kg
- Certificates: CE

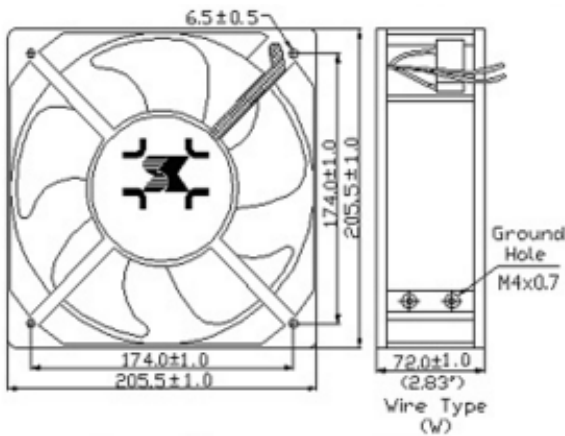


Model	Voltage VAC	Frequency Hz	Current A	Input Power (W)	Speed RPM	Airflow CFM	Static pressure (InH2O)	Sound level dBA
FA 20572 11 B 29	110/120	50/60	0.60/1.00	65/102	2850/3250	620/710	1.04/0.69	67/71
FA 20572 23 B 29	220/240	50/60	0.30/0.49	65/102	2850/3250	620/710	1.04/0.69	67/71

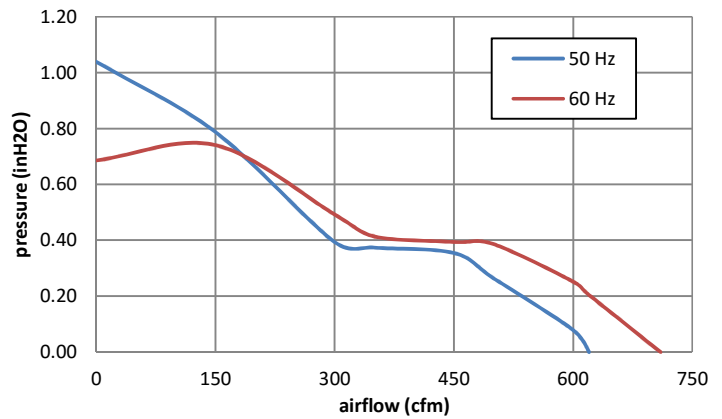
*: above specifications are subject to change without prior notice

** : for non-standard product, contact our sale's team at info@ventus-sa.com

Dimensions



Performance



Ordering Code:

Fan type	Dimensions	Voltage		Bearing type		Speed	-	Electrical connections		Other specs*
		110	230	Ball	sleeve			Terminals	Lead wires	
FA	20572	11	23	B	NA	29	-	C	L	/O

*: if the ordered item is not standard fans offered on our website, always put "/O" at the end of the ordering code and specify the project number which is unique for any non-standard products. Sales team will provide this project number together with specs sheet confirmed by both parties.

Example: FA 20572 23 B 29-C