



CAPACITOR for

POWER ELECTRONIC

- High current DC Filters capacitors -

DC89 HC

$C_N = 35\mu F - U_{DC} = 1250V$

Part Number: **416.89.1220**

## DC 89 HC

DC – Link, High current Capacitors on cylindrical plastic case.

### 1. Technical data (in according to IEC 61071).

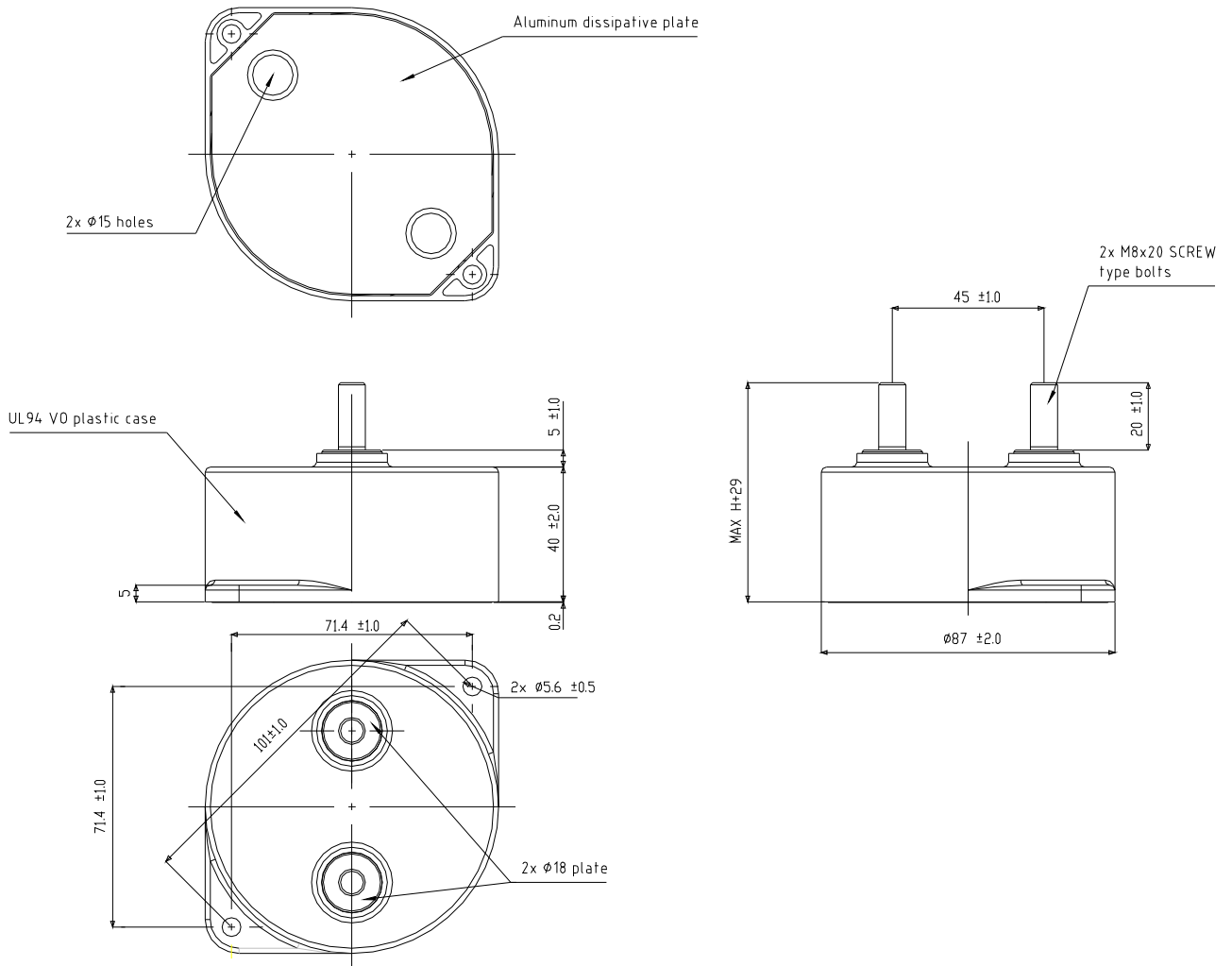
<b>ELECTRICAL CHARACTERISTICS</b>		
Rated Capacitance and tolerance	$\mu F$	35 -10+10%
Rated DC Voltage ( $U_n$ )	V	1250
Series resistance ( $R_s$ )	m $\Omega$	< 1,25
Maximum Current ( $I_{max}$ ) - RMS @ 70°C	A	35
Maximum Current ( $I_{max}$ ) - RMS @ 50°C	A	75
Maximum peak Currents ( $I_p$ )	kA	4,20
Thermal resistance ( $R_{THC}$ ) nat. cool. (*)	°C/W	4,8
Maximum peak voltage ( $U_{pk}$ ) - repetitive	V	1900
Maximum peak Voltage ( $U_s$ ) – no repetitive	V	2500
Self-inductance	nH	<25
Max. voltage raise of rise (dV/dt)	V/us	40
Voltage test terminal - terminal	V	1,5 x $U_n$ - 10s
Voltage test terminal – ground	V	3 kVac 50Hz - 60s
<b>MECHANICAL CHARACTERISTICS</b>		
Filler material		Polyurethane self extinguishing resin.
Dielectric		Self healing Polypropilene metallized film – segmented internal pattern.
Case		Self extinguishing plastic case (UL94 V0) with an aluminum dissipative plate on the bottom side.
Dimensions ( $\varnothing$ x h)	mm	$\approx \varnothing 87 \times 64$
Weight	Kg	$\approx 0,450$
Environment / Mounting position		Indoor / All
Safety system		This capacitors are designed with a particular type of polypropylene metallized film (segmented internal pattern) that assure an open circuit at the end of life, if the service is within the specification.
Fixing type	mm	2x $\varnothing 5.6$
Max. tightening torque on fixing holes	Nm	2,5
<b>TERMINALS AND INSULATION</b>		
Terminals type	mm	M8x20 screw type bolts (also available with threads female connection type)
Max. tightening torque on M8 terminal	Nm	5
Creepage distance	mm	35
Clearance distance	mm	27
<b>CLIMATIC CATEGORY</b>		
Min. Operating temperature	°C	-25
Max. Operating temperature	°C	+85
Max. HotSpot temperature	°C	+85
Storage temperature	°C	-40 .. +85
Maximum altitude	m	2000
Expected life @ $\theta_{HS}=70^\circ C / U_n$ (Vdc)	hours	100.000
<b>STANDARDS</b>		
According to IEC 1071 / 1-2		

Release	Date	Description	Technician
-		First issue	A.G.



**CAPACITOR for**  
**POWER ELECTRONIC**  
 - High current DC Filters capacitors -

**DC89 HC**  
 $C_N = 35\mu F - U_{DC} = 1250V$   
 Part Number: **416.89.1220**



Release	Date	Description	Technician
-		First issue	A.G.