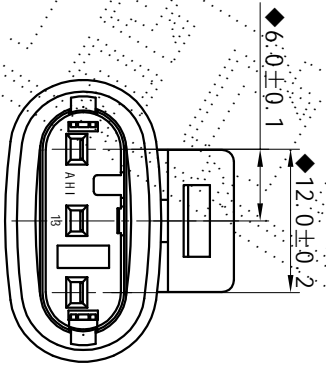
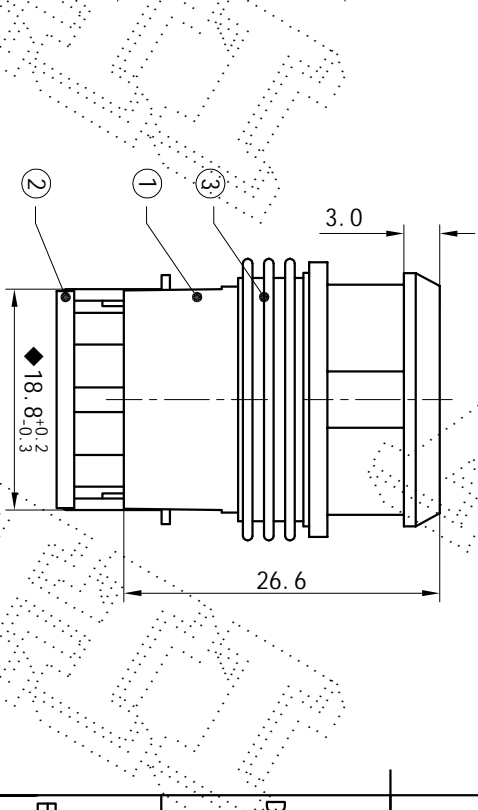
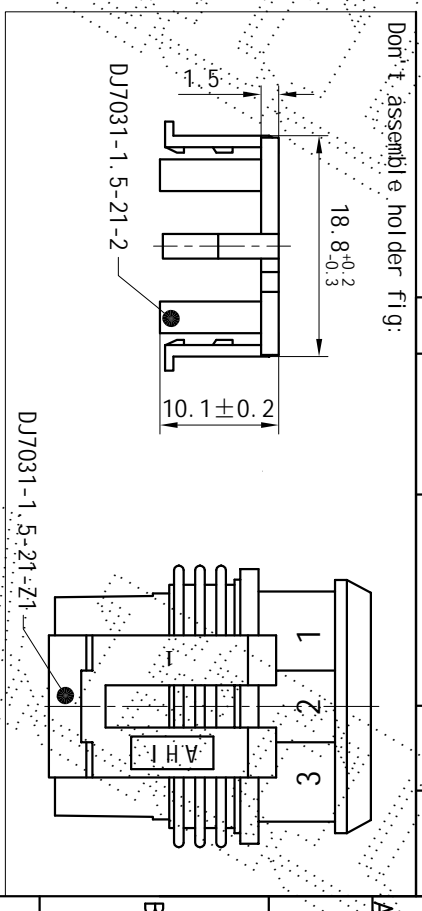
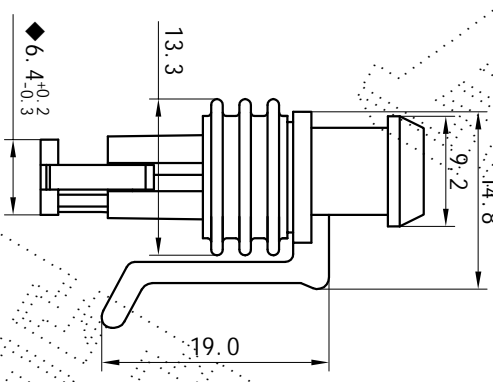
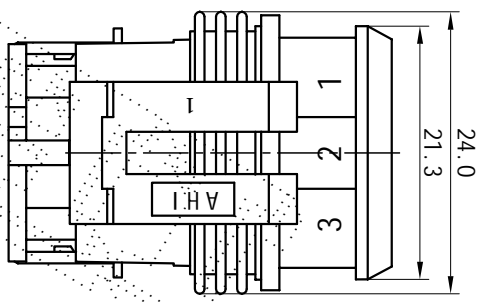


1	2	3	4	5	6	7	8			
						MARK	ECON	DESCRIPTION	DWN.	DATE



- Technical requirements
1. Parts must not have burr and injection molding defects which affect usability
 2. The surface is bright and clean, smooth, no waterlogging, etc
 3. The "◆" is the important feature.
 4. "★" is the key features
 5. Unmarked tolerance dimensions carry out according to the GB - T14486-2008 - MT6 level
 6. The mating terminal is DJ621-1.5*0.8
 7. If assembly holder required for production plan
 8. Coordinate good with clip, is not easy to fall out when the card is first gear clamp, the second transducer can lock the card terminal



NO. TOLERANCES	GB/T14486-2008-MT6	DIM. TOLERANCES
----------------	--------------------	-----------------

DIM. RANGE	DIM. TOLERANCES	DIM. RANGE	DIM. TOLERANCES
0~3	±0.23	>18~24	±0.41
>3~6	±0.26	>24~30	±0.45
>6~10	±0.29	>30~40	±0.50
>10~14	±0.33	>40~50	±0.57
>14~18	±0.37	>50~65	±0.65

NO.	PART NO.	NAME	MATERIAL	QTY	COLOUR
③	DJ7031-1.5-21-3	WIRE SEAL	SILICONE RUBBER	1	YELLOW
②	DJ7031-1.5-21-2	LOCK	PA66+GF	1	RED
①	DJ7031-1.5-21-1	HOUSING	PA66	1	BLACK

COLOUR	SEE TABLE	NAME	3HOLE CONNECTOR	DRAWN BY	CONFIRMED BY	APPROVED BY
MATERIAL	PA66			AHI		
PART NO.	DJ7031-1.5-21			Yueqing Aohai Electric Co., Ltd.		
TYPE						
ARTICLE NO.						
MOULD NO.						
REV.	1.0	1st PERSON VIEW				
FREE						
UNIT	mm					
PAGE	1/1					

乐清市奥海电气有限公司
Yueqing Aohai Electric Co., Ltd.