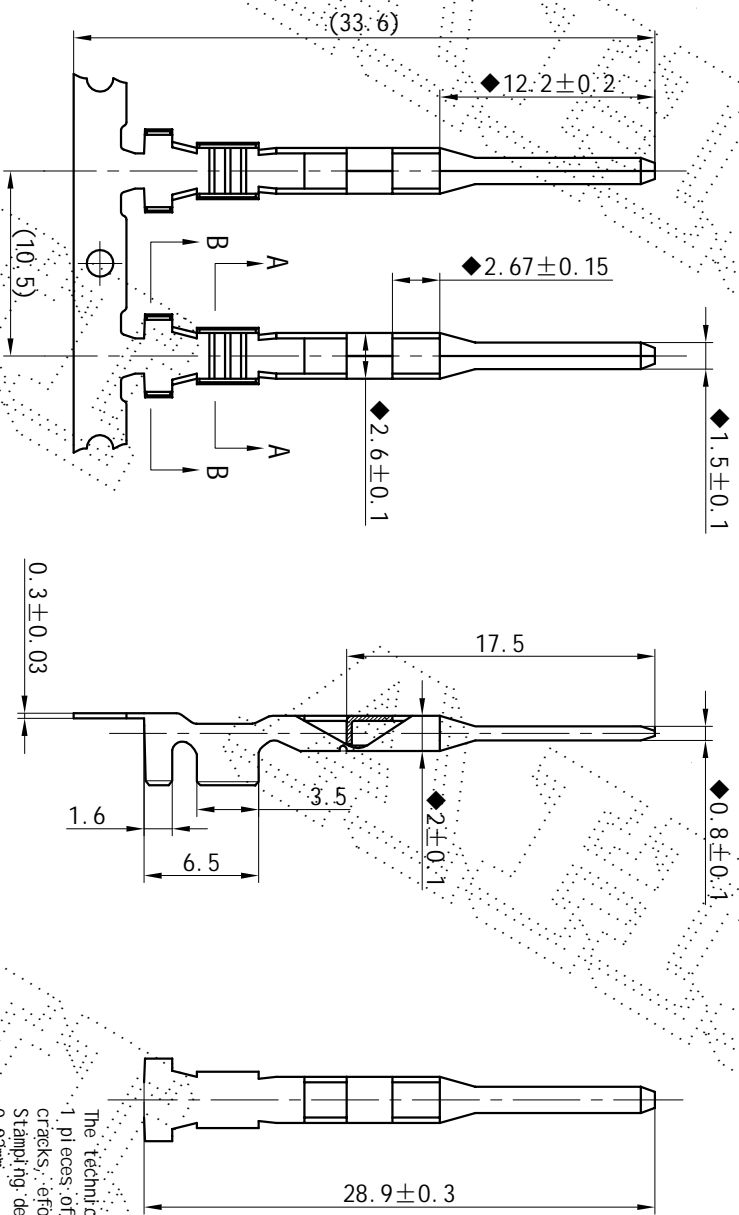
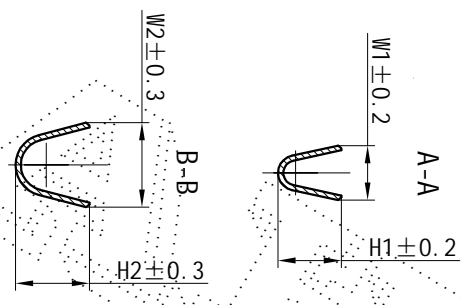


AHI-JS-DR-01-012



MARK	ECN	DESCRIPTION	DNW.	DATE



The technical requirements:
 1. pieces of the surface are not allowed to have obvious scratches, cracks, deformation
 Stamping defects, chamfer is clear, stamping Feng is less than 0.02mm
 2. not note round R R0.2 to R0.5mm
 3. product beading and stiffener depth 0.08-0.1mm
 4. "◆" is the important characteristic, "★" as the key characteristics
 5. did not note the size tolerance in table GB/T15065-2007-4m

SURFACE TREATMENT	TIN-PLATED
MATERIAL	BRASS TO.3
NAME	
PART NO.	SEE TABLE
DRAWN BY:	CONFIRMED BY APPROVED BY

乐清市奥海电气有限公司
 Yueqing Aohai Electric Co., Ltd.

AHI
 DRAWN BY: CONFIRMED BY APPROVED BY

NO. TOLERANCES GB/T15065-2007-m	DIM. TOLERANCES	NO.	PART NO.	W1	W2	H1	H2	Wire Range (mm ²)	MOULD NO.:
0.5~3	±0.20	②	DJ617-1.5X0.8B	3.2	4.8	3.5	4.1	0.75-1.5	
>3~6	±0.30	①	DJ617-1.5X0.8A	2.5	4.2	2.2	3.3	0.3-0.75	
>6~30	±0.40								
>30~120	±0.50								

REV.	1st-PERSON-VIEW	FREE	UNIT	PAGE
1.0			mm	1/1