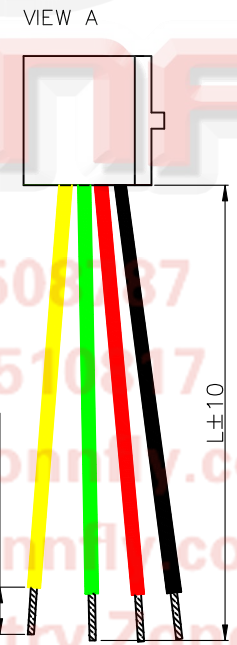
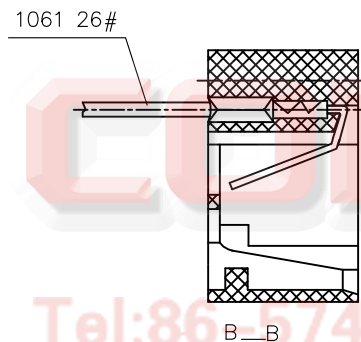
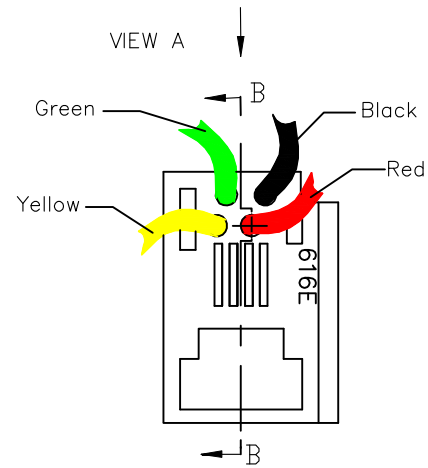


| REV. | DESCRIPTION | DRAWN | CHECKED | APPROVED |
|------|-------------|---------------|---------|----------|
| A | NEW RELEASE | JLZ 06/18/20' | ~ | |

SPECIFICATION

1. Insulation Resistance:1000MΩ Min.
2. Withstand Voltage:500V AC/Minute.
3. Durability:600 Mating Cycles Min.
4. Product Number Code:
DS1132-02-X X X X X - OZDISAN - 020



- Wire length(DIM L)
075:75mm
115:115mm
- Housing Color
A:Gray
- Contact Plating
0:Gold Flash
- No.Of Contacts
4:4P4C
- Connector Type
S:Socket

Tel:86-574-63505187
 Fax:86-574-63510117
 E-mail:sale@connfly.com
 http://www.connfly.com
 Add:East Industry Zone KuangYan
 Town Cixi Ningbo China
 P.C:315335

| GENERAL TOLERANCE | ANGLE TOLERANCE |
|-------------------|-----------------|
| X. ±0.60 | X. ±5° |
| .X ±0.38 | .X ±3° |
| .XX ±0.25 | .XX ±2° |

| PROJECTION | TITLE |
|---------------|-------------------------|
| UNITS mm | PCB JACK 4P4C W/ WIRE |
| SHEET SIZE A4 | SERIES DS1132-02 SERIES |

FOR OZDISAN ONLY

| DRAWING TYPE | CUSTOMER |
|--------------|---------------------------------|
| SCALE 1:1 | SHEET 1 OF 1 |
| DRAWING NO. | C-DS1132-02-S40AX-OZDISAN-020-A |

晨翔电子有限公司
CONNFLY CONNFLY ELECTRONIC CO. LTD