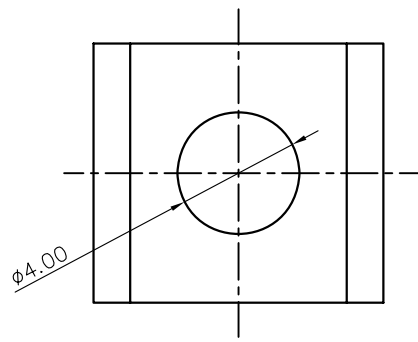
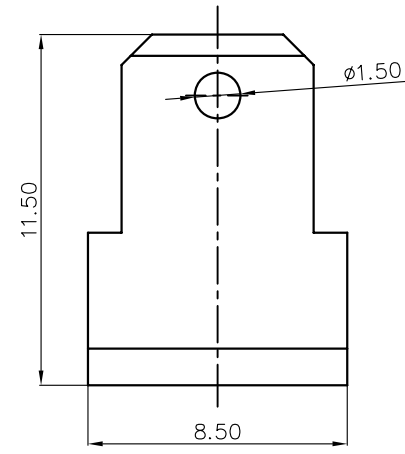
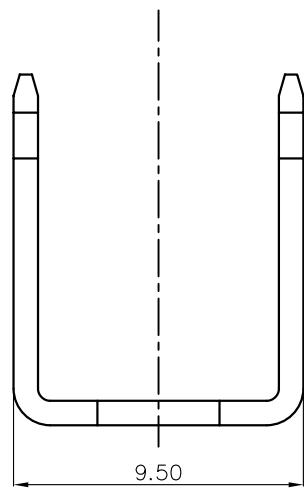


REVISION RECORD				
REV	ECN	DESCRIPTION	DRFT	DATE



NOTES:  
 1.Dimension shall be interpreted per ASME Y14.5-2009  
 2.Undimensioned Tolerances:

Pitch range in mm		Nominal dimension range in mm					
TO	Over TO	Over TO	Over TO	Over TO	Over TO	Over TO	
6	6 TO 10	10 TO 24	30 TO 60	60 TO 100	100 TO 150	150	0.1/10
	$\pm 0.15$	$\pm 0.20$	$\pm 0.30$	$\pm 0.50$	$\pm 0.70$	$\pm 1.00$	$\pm 1.30$
							$\pm 2'$

K1 - 00A (H)  
 (Series No.) (RoHS)  
 00A-(Standard)

DETACHED LISTS	PART NO.: /	宁波高松电子有限公司 NINGBO DEGSON ELECTRICAL CO., LTD		
	APPD: /	NAME: K1-00A(H)		
	CHKD: /	TITLE: CUSTOMER DRAWING		
	DRFT: /	DRAWING NO.: /	REV	DO
	THIRD ANGLE PROJECTION	DO NOT SCALE DRAWING	SHEET	1/1
	MM (INCH)	SCALE	1:1	