

HIGH CURRENT INDUCTORS



MODEL NO : SHI-10550DD HF SERIES

Features :

- * SMD version .
- * Low core loss and high efficiency performance .
- * Close magnetic path for low leakage flux .
- * Low DCR with flat wire design .
- * Compliant with RoHS and Halogen free .

Application :

- * Automobile . * Routers . * Solar energy .
- * DC/ DC converter in power regulation system .



Electrical Specification :

PART NO	INDUCTANCE (uH) ±20%	DCR ±10% (mΩ)	INDUCTANCE (uH) TYP @TEMPERATURE RISE CURRENT	TEMPERATURE RISE CURRENT (ADC) (NOTE 2)	SATURATION CURRENT (ADC) (NOTE 3)
SHI-10550DD-R16 HF	0.16±30%	0.51	0.15	28	58
SHI-10550DD-R40 HF	0.40	0.67	0.35	26	37
SHI-10550DD-R50 HF	0.50	1.30	0.40	25	35
SHI-10550DD-R72 HF	0.72	1.30	0.56	24	35
SHI-10550DD-1R2 HF	1.2	1.90	1.0	20	23
SHI-10550DD-1R8 HF	1.75	3.50	1.35	15	18
SHI-10550DD-2R4 HF	2.4	4.75	1.8	13.5	17
SHI-10550DD-3R2 HF	3.2	5.90	2.4	11.5	15
SHI-10550DD-4R2 HF	4.2	7.10	3.3	10	14
SHI-10550DD-5R5 HF	5.5	10.3	4.4	8.5	12
SHI-10550DD-6R5 HF	6.5	12.7	5.0	8.0	10
SHI-10550DD-7R8 HF	7.8	13.8	6.0	7.3	9.5
SHI-10550DD-100 HF	10	16.3	7.4	6.5	8.5
SHI-10550DD-160 HF	16	33.0	12.7	4.7	6.5

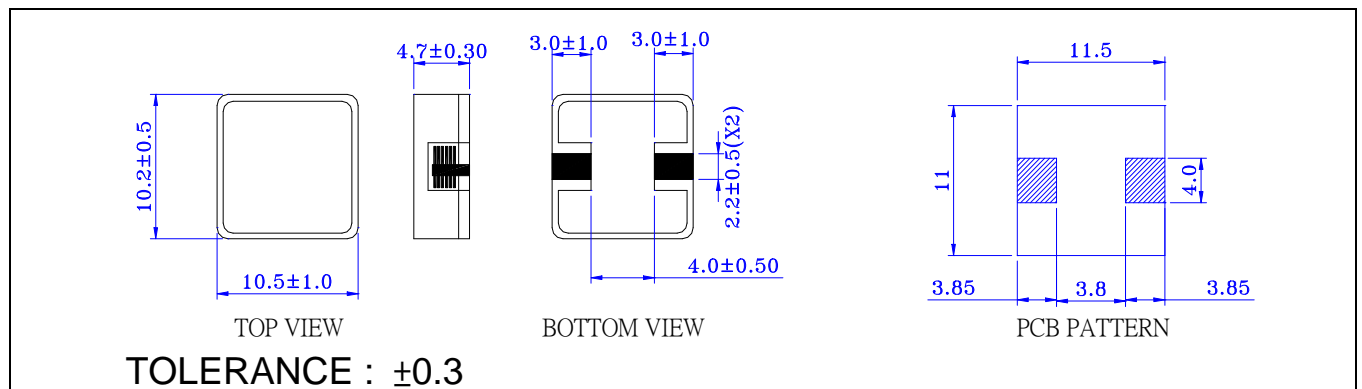
NOTE(1): Measuring condition : 100 KHZ, 0.1Vrms.

NOTE(2): Δ T=40°C approximately under the temperature rise current

NOTE(3): The saturation current indicates the value of DC current is approximately 30% lower than its initial value of inductance.

NOTE(4): Operating temperature range: -40°C ~ +150°C

Physical Dimension : (unit :mm)



PACKAGING SPEC:

1. REEL SIZE & UNITS PER REEL :13",700PCS.
2. TAPE WIDTH:24mm.
3. REEL WIDTH:29.5mm
4. COMPONENT PITCH:16mm

INDUCTANCE vs DC BIAS:

