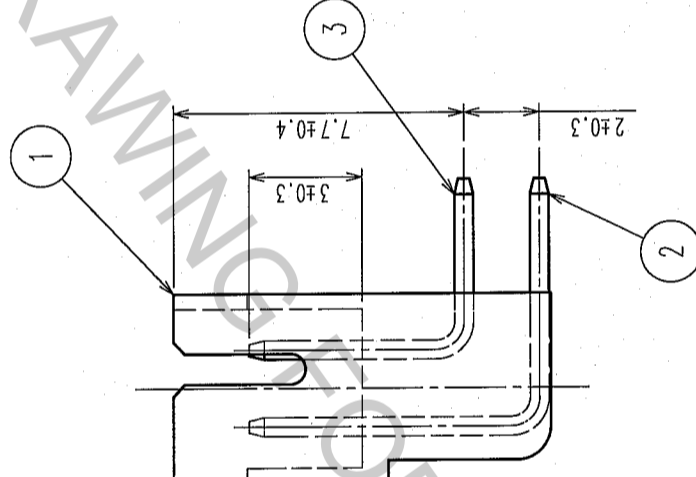
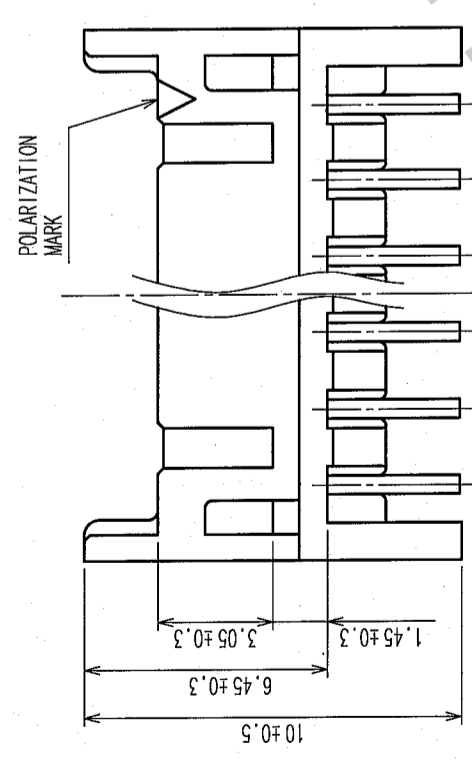
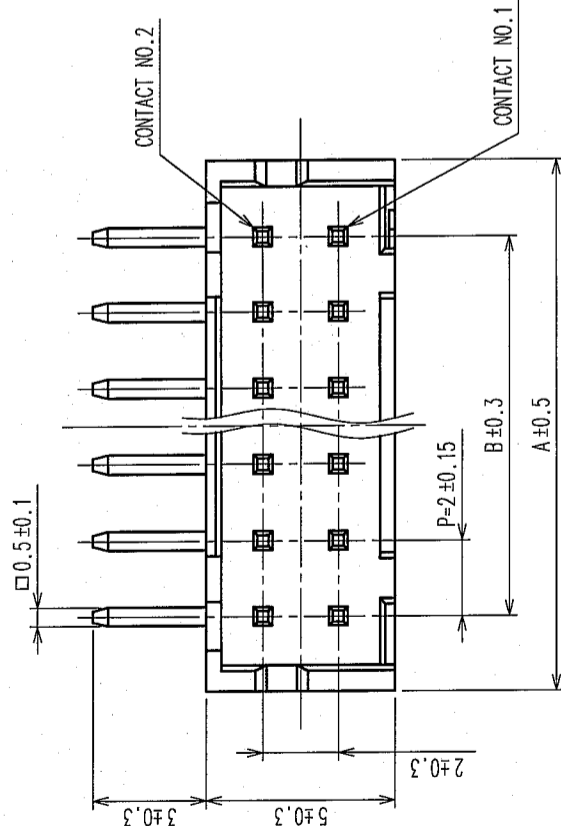
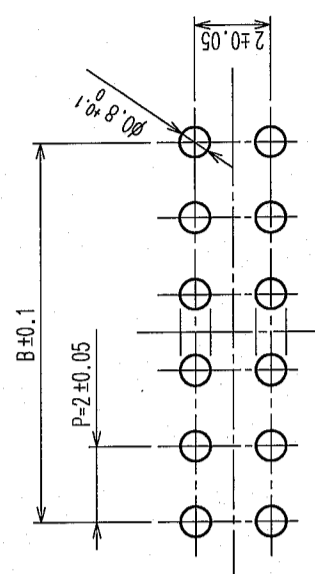


NO.	DATE	BY	CHKD	DESCRIPTION OF REVISIONS	COUNT	DATE	BY	CHKD	DESCRIPTION OF REVISIONS	COUNT	DATE	BY	CHKD	DESCRIPTION OF REVISIONS	COUNT	DATE	BY	CHKD	DESCRIPTION OF REVISIONS	COUNT	DATE	
1																						
2																						
3																						
4																						
5																						
6																						
7																						
8																						

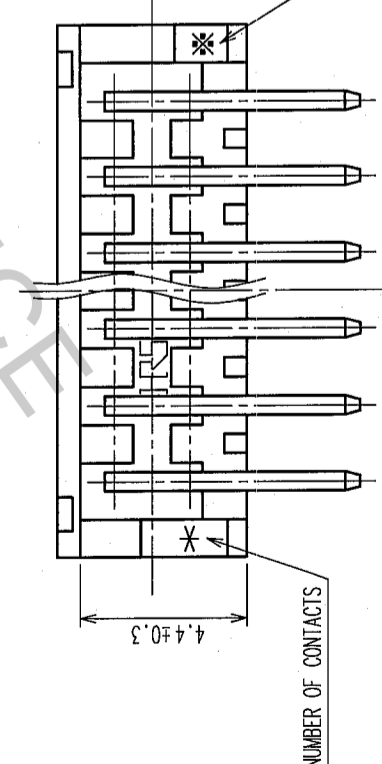
In case that the application demands a high level of reliability, such as automotive, please contact a company representative for further information.



RECOMMENDED PATTERN



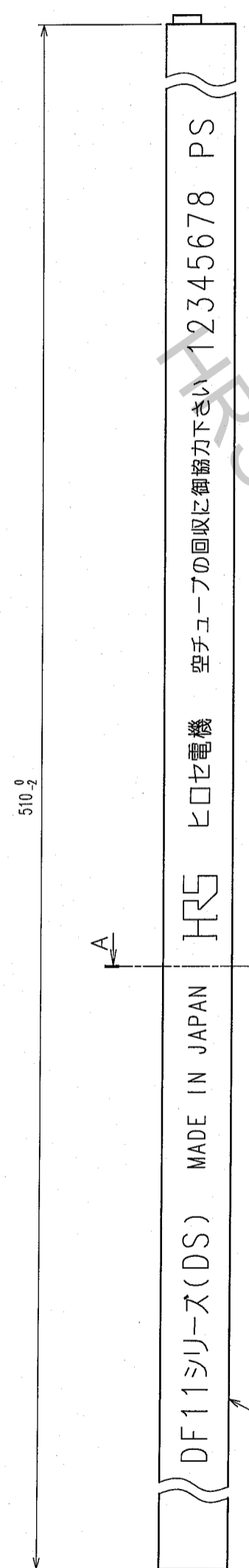
CODE NO.	PART NO.	CONTACT	A	B
CL543-0533-1-24	DF11-4DP-2DS(24)	4	6.0	2.0
CL543-0534-4-24	DF11-6DP-2DS(24)	6	8.0	4.0
CL543-0535-7-24	DF11-8DP-2DS(24)	8	10.0	6.0
CL543-0536-0-24	DF11-10DP-2DS(24)	10	12.0	8.0
CL543-0537-2-24	DF11-12DP-2DS(24)	12	14.0	10.0
CL543-0538-5-24	DF11-14DP-2DS(24)	14	16.0	12.0
CL543-0539-8-24	DF11-16DP-2DS(24)	16	18.0	14.0
CL543-0540-7-24	DF11-18DP-2DS(24)	18	20.0	16.0
CL543-0541-0-24	DF11-20DP-2DS(24)	20	22.0	18.0
CL543-0542-2-24	DF11-22DP-2DS(24)	22	24.0	20.0
CL543-0543-5-24	DF11-24DP-2DS(24)	24	26.0	22.0
CL543-0544-8-24	DF11-26DP-2DS(24)	26	28.0	24.0
CL543-0545-0-24	DF11-28DP-2DS(24)	28	30.0	26.0
CL543-0546-3-24	DF11-30DP-2DS(24)	30	32.0	28.0
CL543-0547-6-24	DF11-32DP-2DS(24)	32	34.0	30.0



NO.	MATERIAL	FINISH, REMARKS	NO.	MATERIAL	FINISH, REMARKS			
2	BRASS	SURFACE: TIN PLATED UNDER PLATING: NICKEL PLATED 1μm min	5	ELASTOMER	STOPPER, GREEN			
1	POLYAMIDE	BLACK, UL94V-0	4	PS	ELECTROSTATIC PROTECTION, CLEAR			
			3	BRASS	SURFACE: TIN PLATED 1μm min UNDER PLATING: NICKEL PLATED 0.5μm min			
REMARKS			DRAWN		DESIGNED	CHECKED	APPROVED	RELEASED
			A. Miura		S. Oshino		S. Oshino	
			05.10.24		05.10.27		05.10.27	
CODE NO. (OLD)		EDC3-084779-02	DRAWING NO.		DF11-*DP-2DS(24)			
SCALE		5 : 1	UNITS		mm			
UNITS		mm	CODE NO.		CL543-			
			PART NO.		DF11-*DP-2DS(24)			
			HRS		HIROSE ELECTRIC CO., LTD.			
			FORM NO.		8 FORM NO. 233			

TO

NO.	DATE	BY	CHKD	DESCRIPTION OF REVISIONS	COUNT	DESCRIPTION OF REVISIONS	BY	CHKD	DATE
1									
2									
3									
4									
5									
6									
7									
8									



510.0

DF11シリーズ(DS) MADE IN JAPAN

HRS ヒロセ電機 空テューブの回収に御協力下さい 12345678 PS

A-A (5:1)

PRINTED SURFACE

4.6±0.3

12.4±0.5

11.4±0.5



CODE NO.	PART NO.	NUMBER OF CONNECTORS
CL543-0533-1-24	DF11-4DP-2DS(24)	81
CL543-0534-4-24	DF11-6DP-2DS(24)	61
CL543-0535-7-24	DF11-8DP-2DS(24)	48
CL543-0536-0-24	DF11-10DP-2DS(24)	40
CL543-0537-2-24	DF11-12DP-2DS(24)	34
CL543-0538-5-24	DF11-14DP-2DS(24)	30
CL543-0539-8-24	DF11-16DP-2DS(24)	27
CL543-0540-7-24	DF11-18DP-2DS(24)	24
CL543-0541-0-24	DF11-20DP-2DS(24)	22
CL543-0542-2-24	DF11-22DP-2DS(24)	20
CL543-0543-5-24	DF11-24DP-2DS(24)	18
CL543-0544-8-24	DF11-26DP-2DS(24)	17
CL543-0545-0-24	DF11-28DP-2DS(24)	16
CL543-0546-3-24	DF11-30DP-2DS(24)	15
CL543-0547-6-24	DF11-32DP-2DS(24)	14

NOTE 1. NUMBER OF CONNECTORS PER A MAGAZINE CASE SHALL BE IN ACCORDANCE WITH THE LIST BELOW.  
 2. THESE CONNECTORS SHALL BE ON SALED IN ACCORDANCE WITH THE MULTIPLE QUANTITY ON THE LIST.

TO	

REMARKS	DRAWN	DESIGNED	CHECKED	APPROVED	RELEASED
	A. Miura	Shimizu	H. Yamashita	J. Oka	
	05.10.24	05.10.27	05.10.27	05.10.27	

CODE NO. (OLD)	DRAWING NO.	PART NO.
	EDC3-084779-02	DF11-*DP-2DS(24)
SCALE	FR:EE	CODE NO.
UNITS	mm	CL543-
		2