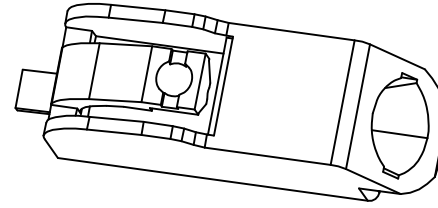
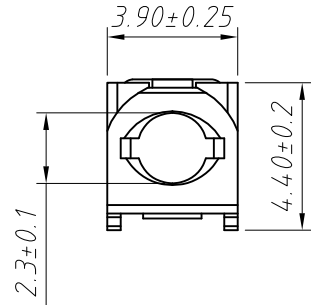
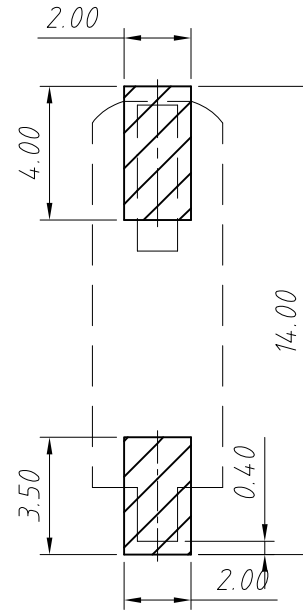
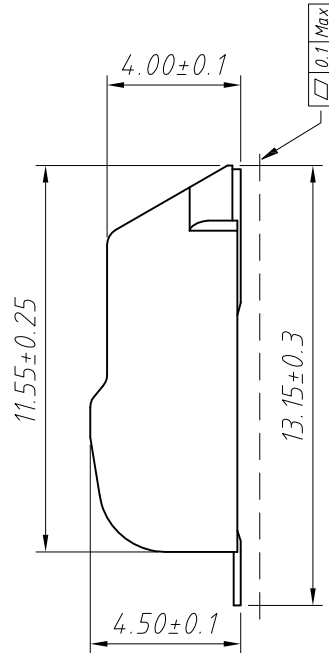
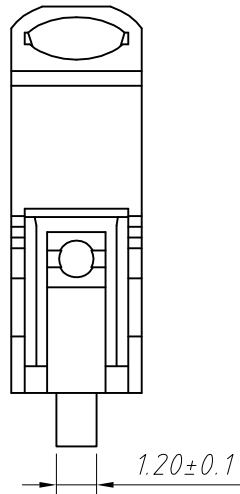


1 RoHS Compliant



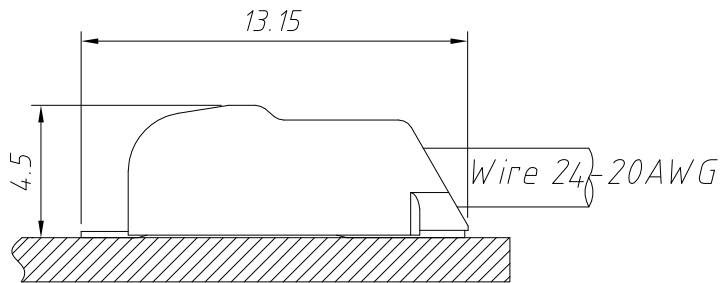
MATERIAL
 Insulator:LCP,UL94V-0,Beige
 Contacts:Phosphor Bronze,Tin-plated

Main Specifications
 Poles:01P
 Contact Resistance: $\leq 20m\Omega$
 Insulation Resistance: $\geq 800M\Omega$
 Rated Voltage:250V AC DC
 Rated Current:6.0A AC DC
 Withstanding Voltage:800V AC/minute
 Temperature Range: $-25^{\circ}C \sim +105^{\circ}C$




Order Information
 L-KLS2-L13-01P
 ————— Number of Poles
 ————— Series No.
 ————— RoHS

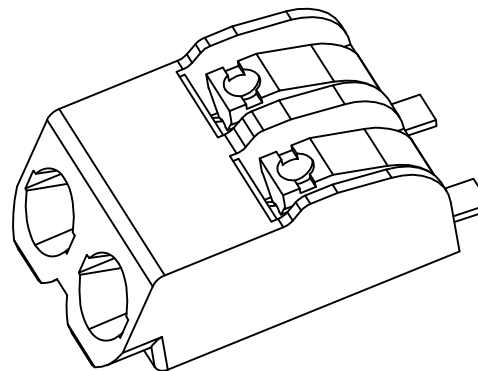
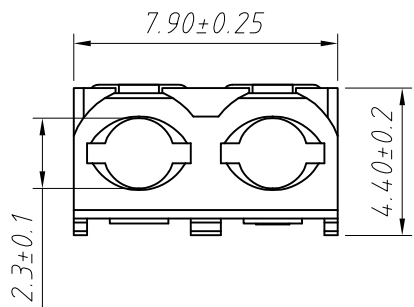
Board Layout



Installation drawing

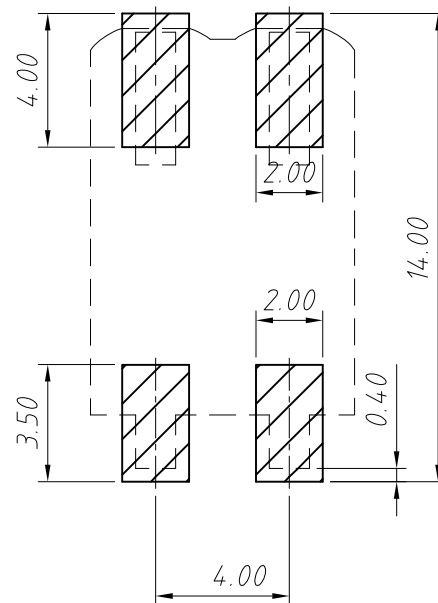
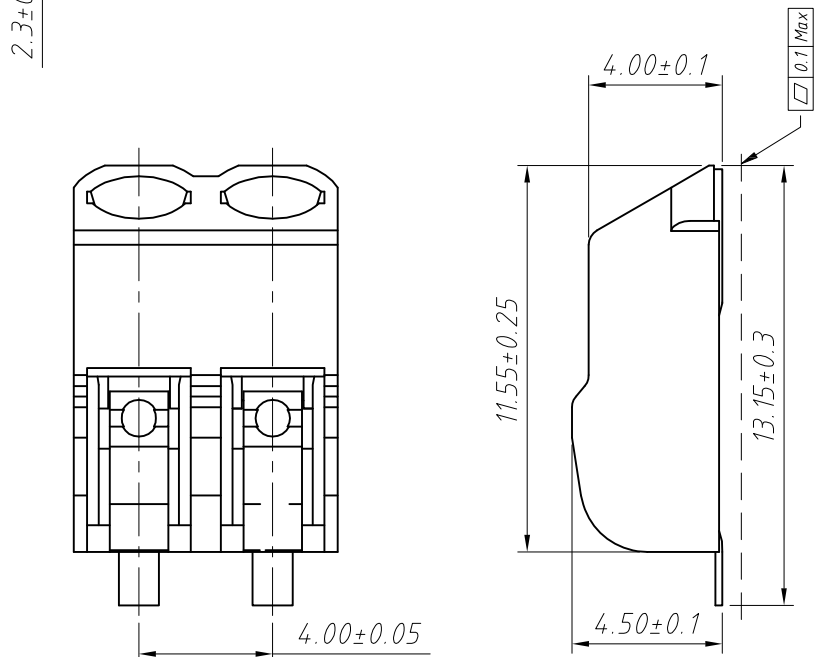
GENERAL TOLERANCE		ANGLE TOLERANCE		PROJECTION	Description:
X	± 0.15	X	$\pm 5^{\circ}$	UNITS	mm
.X	± 0.03	.X	$\pm 3^{\circ}$	SHEET SIZE	A4
.XX	± 0.05	.XX	$\pm 2^{\circ}$	KLS P/N:	L-KLS2-L13-01P
Draw by:	Jenny	Date:	2018-03-10	 NingBo KLS ELECTRONIC CO.,L TD.	
Check by:		Date:	2018-03-10		
SCALE		SHEET	1 OF 1		

RoHS Compliant



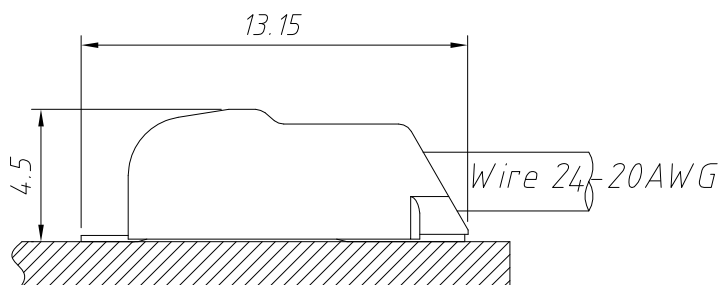
MATERIAL
 Insulator:LCP,UL94V-0,Beige
 Contacts:Phosphor Bronze,Tin-plated

Main Specifications
 Poles:02P
 Contact Resistance:≤20mΩ
 Insulation Resistance:≥800MΩ
 Rated Voltage:250V AC DC
 Rated Current:6.0A AC DC
 Withstanding Voltage:800V AC/minute
 Temperature Range: -25 °C ~ +105 °C



Order Information
 L-KLS2-L13-02P
 └───┬───┬───
 Series No. Number of Poles RoHS

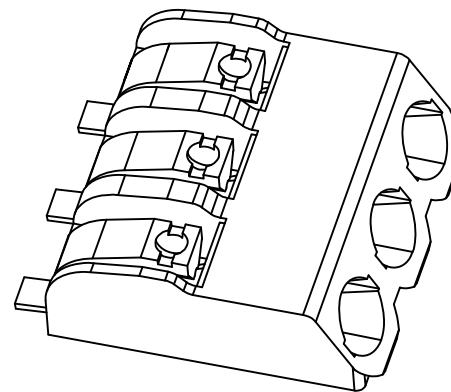
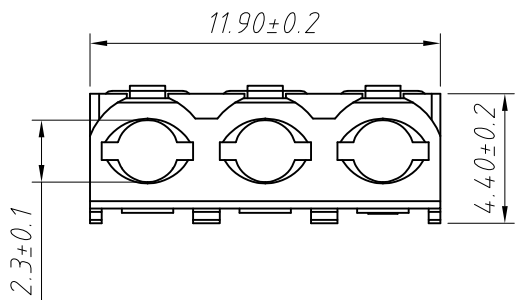
Board Layout



Installation drawing

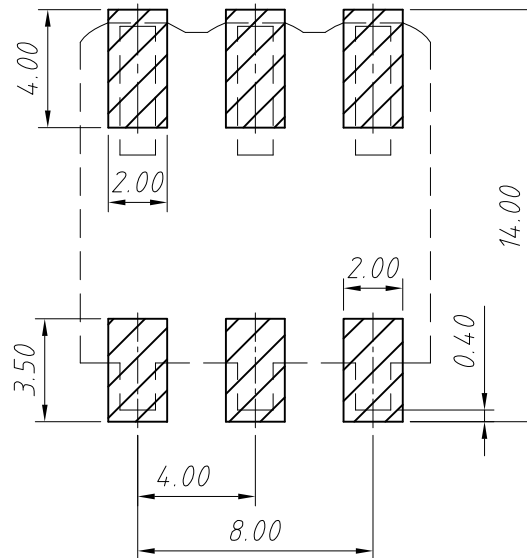
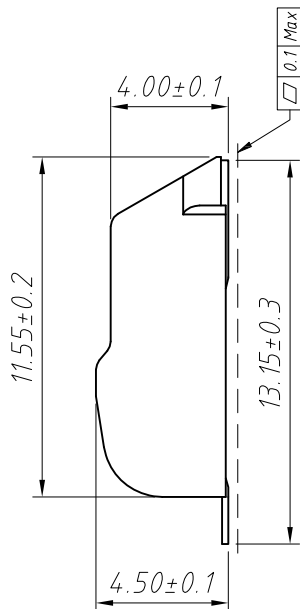
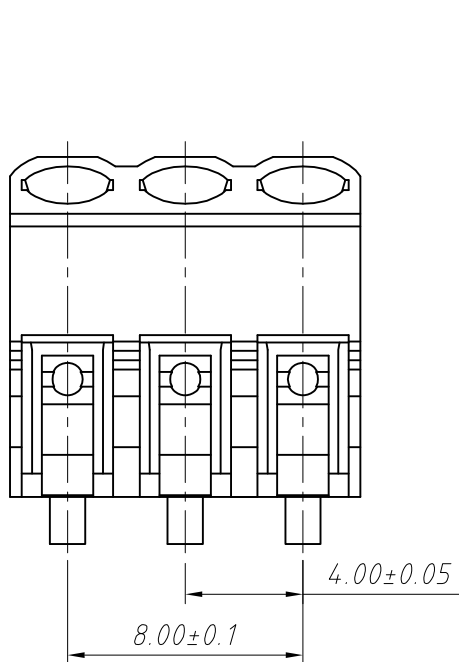
GENERAL TOLERANCE		ANGLE TOLERANCE		PROJECTION	Description:
X. ±0.15		X. ±5°		UNITS	Push-in CAGE type,SMD 4.0mm L-KLS2-L13-02P
.X ±0.03		.X ±3°		SHEET SIZE	
.XX ±0.05		.XX ±2°		KLS P/N:	
Draw by:	Jenny	Date:	2018-03-10	 NingBo KLS ELECTRONIC CO.,L TD.	
Check by:		Date:	2018-03-10		
SCALE		SHEET	1 OF 1		

1 RoHS Compliant



MATERIAL
 Insulator:LCP,UL94V-0,Beige
 Contacts:Phosphor Bronze,Tin-plated

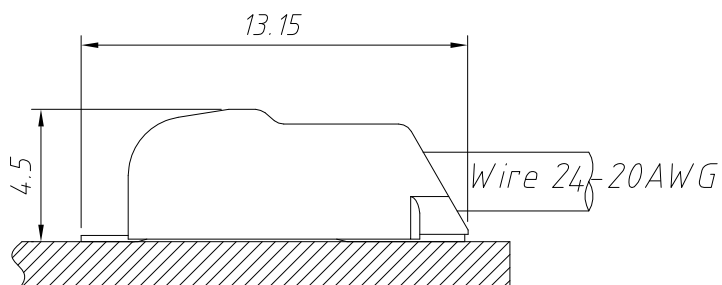
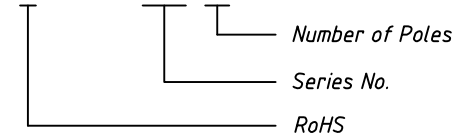
Main Specifications
 Poles:03P
 Contact Resistance: $\leq 20m\Omega$
 Insulation Resistance: $\geq 800M\Omega$
 Rated Voltage:250V AC DC
 Rated Current:6.0A AC DC
 Withstanding Voltage:800V AC/minute
 Temperature Range: $-25^{\circ}C \sim +105^{\circ}C$



Board Layout

Order Information

L-KLS2-L13-03P



Installation drawing

GENERAL TOLERANCE		ANGLE TOLERANCE		PROJECTION	Description:
X. ± 0.15	X. $\pm 5^{\circ}$	UNITS	mm		Push-in CAGE type,SMD 4.0mm
.X ± 0.03	.X $\pm 3^{\circ}$	SHEET SIZE	A4		
.XX ± 0.05	.XX $\pm 2^{\circ}$	KLS P/N:			
Draw by:	Jenny	Date:	2018-03-10		NingBo KLS ELECTRONIC CO.,LTD.
Check by:		Date:	2018-03-10		
SCALE		SHEET	1 OF 1		