

PRODUCT DATA APPROVAL SHEET

Core- T63250

Cosmo Ferrites Ltd. - INDIA

Appearance & Shape: To be free from any defect such as flow, burrs, unevenness etc, As per IEC standards.

Effective Parameters irrespective of material grade (per piece)

- Effective Length (L_e): 152.08mm
- Effective Area (A_e): 305.93mm²
- Effective Area (A_{Min}): 305.93mm²
- Effective Volume (V_e): 46528mm³

Approximate weight : 236g/pc



T63250 Coated (Green)

Test Conditions : 10kHz/150mV/CFR COIL,N=01/Lo=Zero/25deg.C

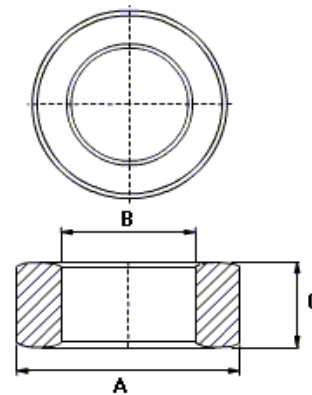
Material Grade	Initial Permeability (μ_{iac})	AL Value (nH)	D.Strength (kV)	Ordering code
CF199	9000 \pm 20%	8000-16600	\geq 2.0	CF199T63250C

Dimensions(Un-coated Cores)

Dimension	Nominal (in mm)	Maximum (in mm)	Minimum (in mm)
A	63.0	64.3	61.7
B	38.0	38.8	37.2
C	25.0	25.5	24.5

Dimensions(Coated Cores)

Dimension	Nominal (in mm)	Maximum (in mm)	Minimum (in mm)
A	-	65.0	-
B	-	-	36.5
C	-	26.2	-



REMARKS : "O" Stands material for Ozdisan with different AL-Value range.

1. Ferrite material for the product is in compliance with RoHS directive 2011/65/EU.
2. Epoxy Coating is UL Approved, UL file number E466713 / E317134.
3. Coating material for the product is in compliance with RoHS directive 2011/65/EU.

For Cosmo Ferrites Limited-INDIA

Checked By: A.K.
 Approved By: B.S.
 Authorized By: KSR
 Date: 26-03-2016(ISSUE NO.1)

Customer's Approval
 Authorized Signatory:
 Name:
 Date:

NOTE: Please send this Data Sheet back to Cosmo Ferrites Ltd. after approval. If not received back within 15 days, it will be presumed that all the specifications given in the consent/data sheet are acceptable to the concerned.